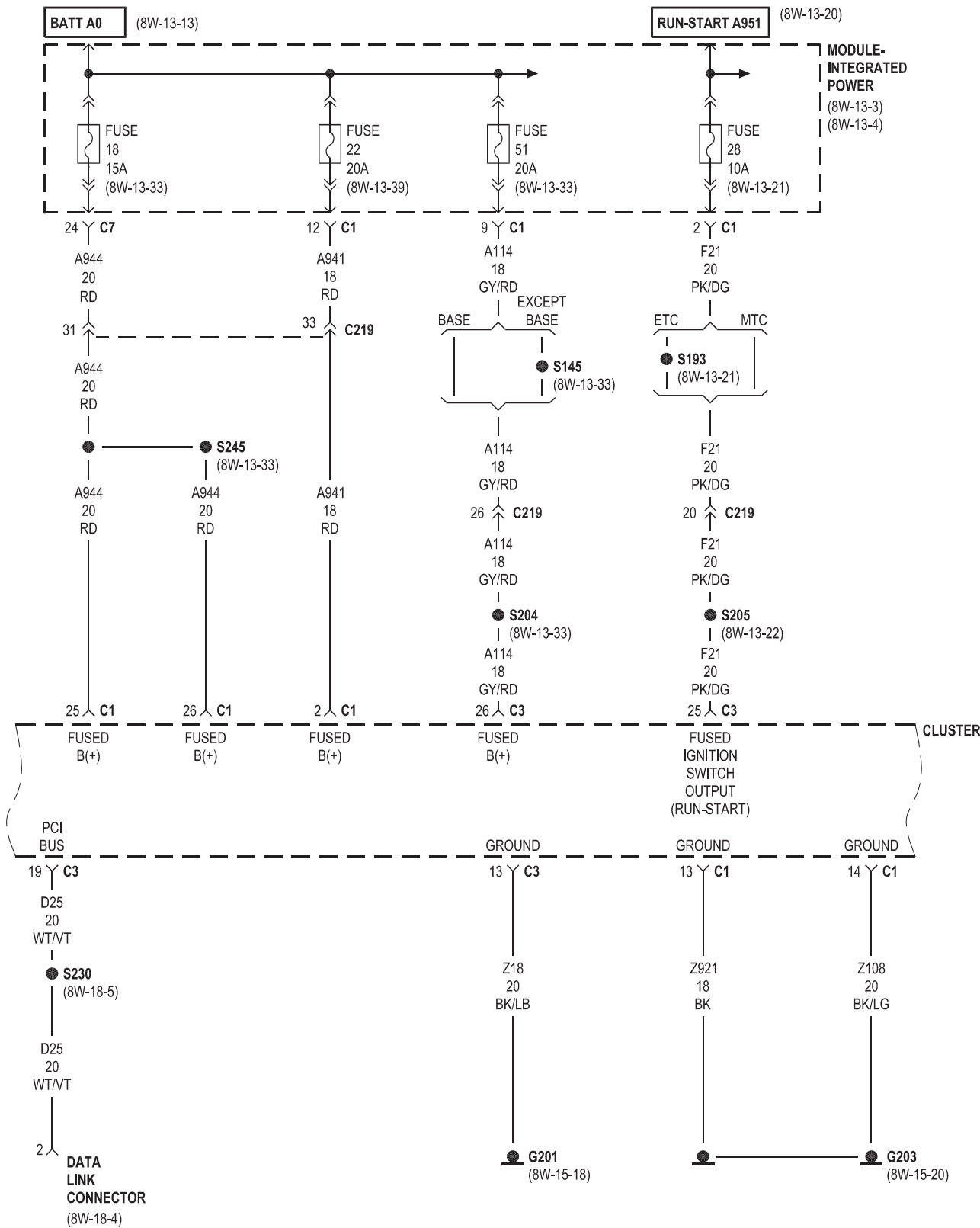
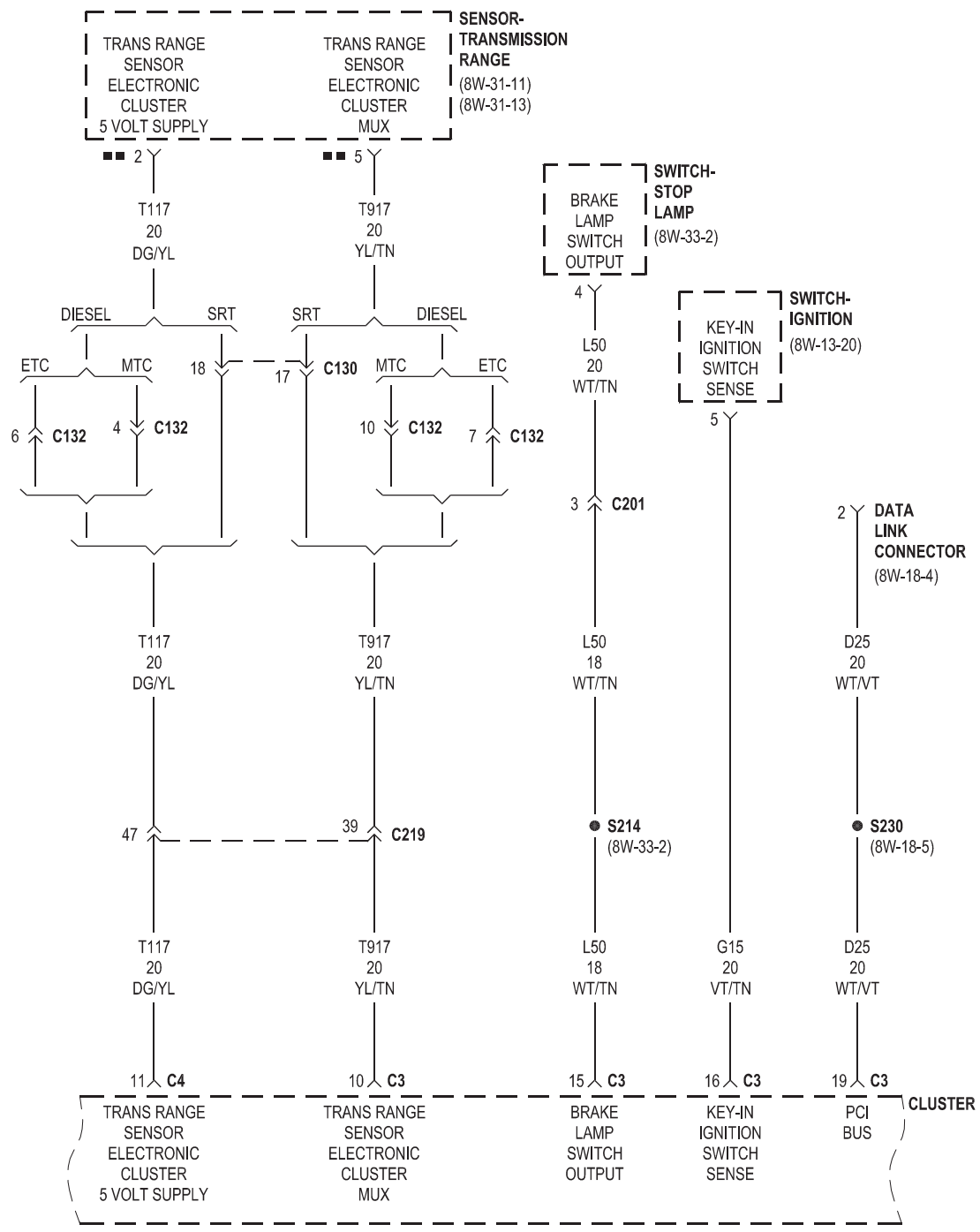


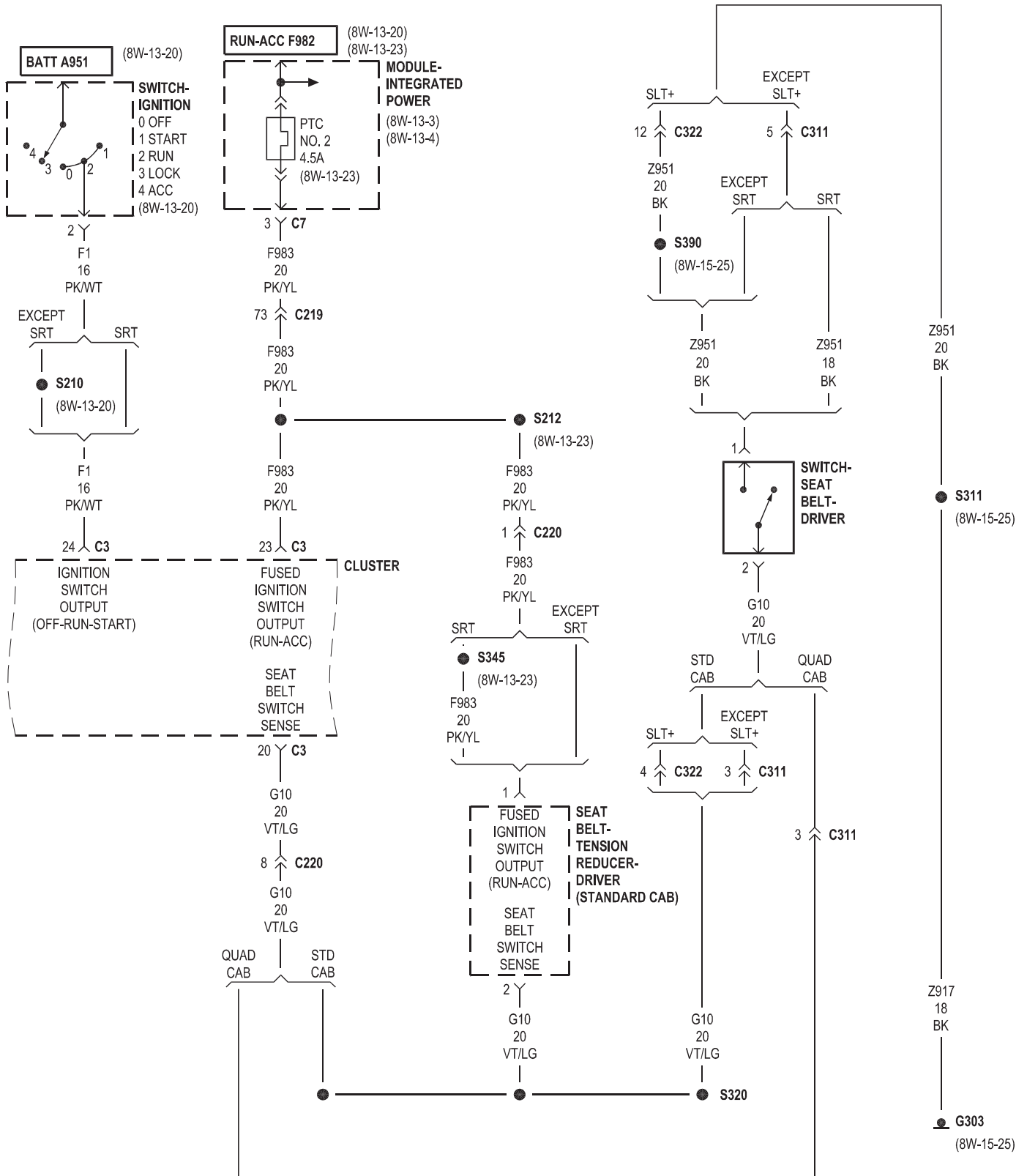
## 8W-40 INSTRUMENT CLUSTER

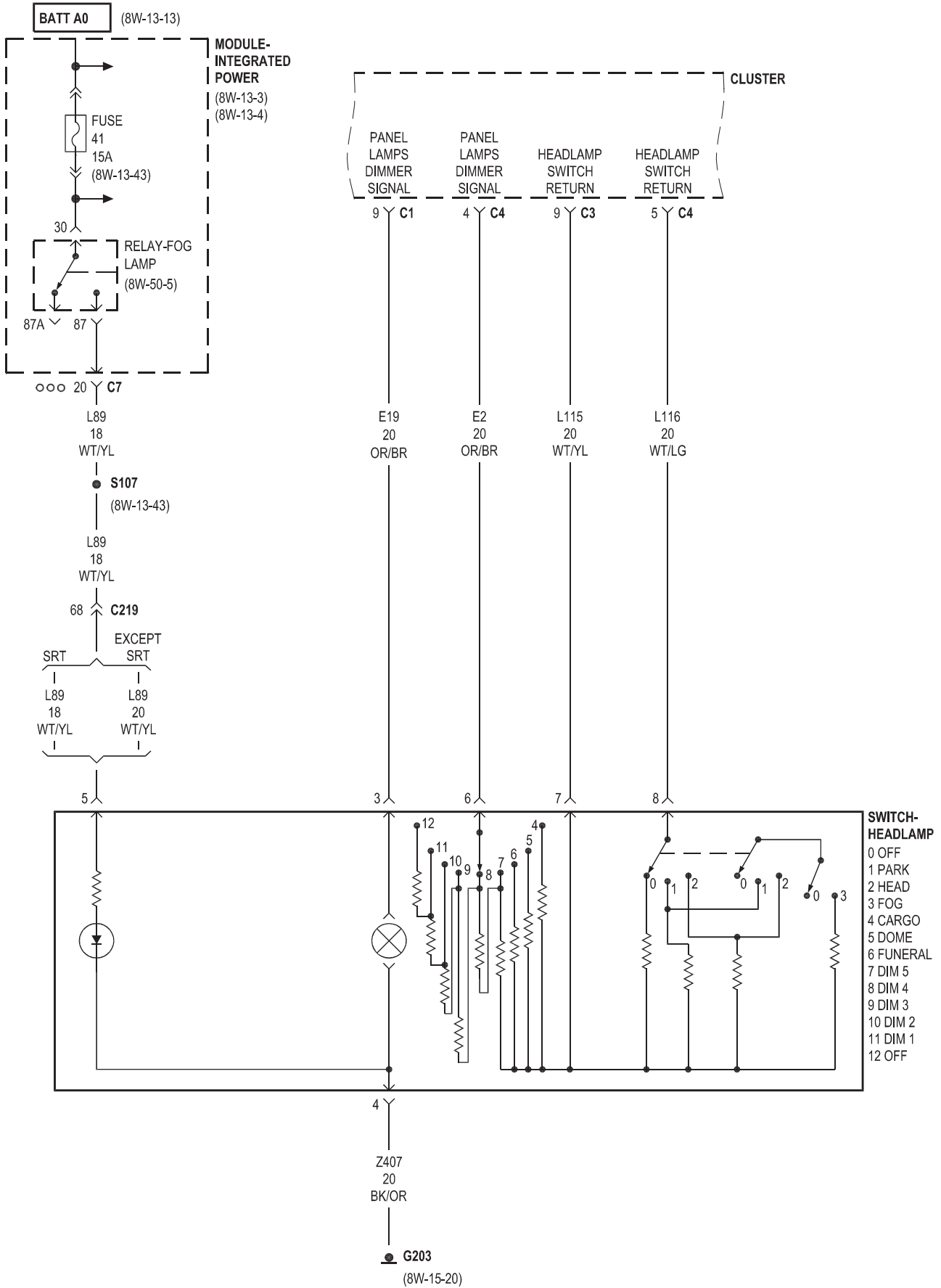
<b>Component</b>	<b>Page</b>	<b>Component</b>	<b>Page</b>
Clockspring	8W-40-10	Radio	8W-40-9
Cluster	8W-40-2, 3, 4, 5, 6, 7, 8, 9, 10, 11	Relay-Fog Lamp	8W-40-5
Control-A/C-Heater	8W-40-9	Seat Belt-Tension Reducer-Driver	8W-40-4
Data Link Connector	8W-40-2, 3	Sensor-Engine Oil Temperature	8W-40-11
Fuse 18	8W-40-2	Sensor-Transfer Case Position	8W-40-10
Fuse 22	8W-40-2	Sensor-Transmission Range	8W-40-3
Fuse 28	8W-40-2, 11	Solenoid-Brake Transmission Shift	
Fuse 41	8W-40-5	Interlock	8W-40-10
Fuse 51	8W-40-2	Switch-Axle Lock	8W-40-10
G110	8W-40-11	Switch-Cylinder Lock-Driver	8W-40-7
G201	8W-40-2, 11	Switch-Disconnecting Stabilizer Bar	8W-40-10
G203	8W-40-2, 5, 10	Switch-Door Lock-Passenger	8W-40-7
G303	8W-40-4, 7	Switch-Headlamp	8W-40-5
Gauge-Engine Oil Temperature	8W-40-11	Switch-Heated Seat-Driver	8W-40-9
Lamp-Dome-Rear	8W-40-9	Switch-Horn	8W-40-10
Lamp-Glove Box	8W-40-9	Switch-Ignition	8W-40-3, 4
Lamp-High Mounted Stop	8W-40-9	Switch-Multifunction	8W-40-6
Lamp-Reading-Front	8W-40-9	Switch-Parking Brake	8W-40-10
Latch-Door-Driver	8W-40-8	Switch-Remote Radio-Right	8W-40-10
Latch-Door-Left Rear	8W-40-8	Switch-Seat Belt-Driver	8W-40-4
Latch-Door-Passenger	8W-40-7	Switch-Stop Lamp	8W-40-3
Latch-Door-Right Rear	8W-40-7	Switch-Transfer Case Selector	8W-40-10
Module-Integrated Power	8W-40-2, 4, 5, 11	Switch-Window/Door Lock-Driver	8W-40-8
PTC No. 2	8W-40-4		

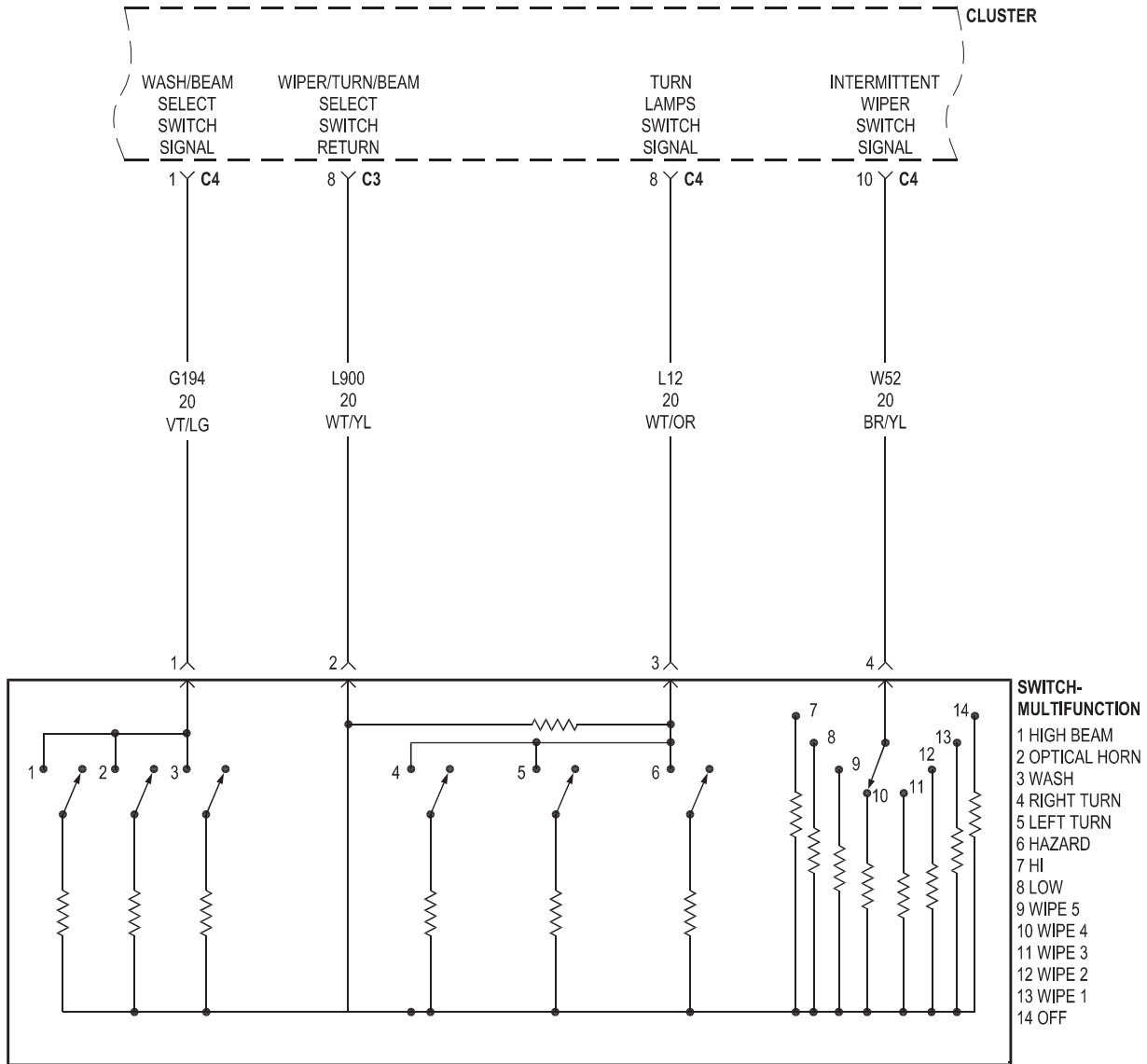




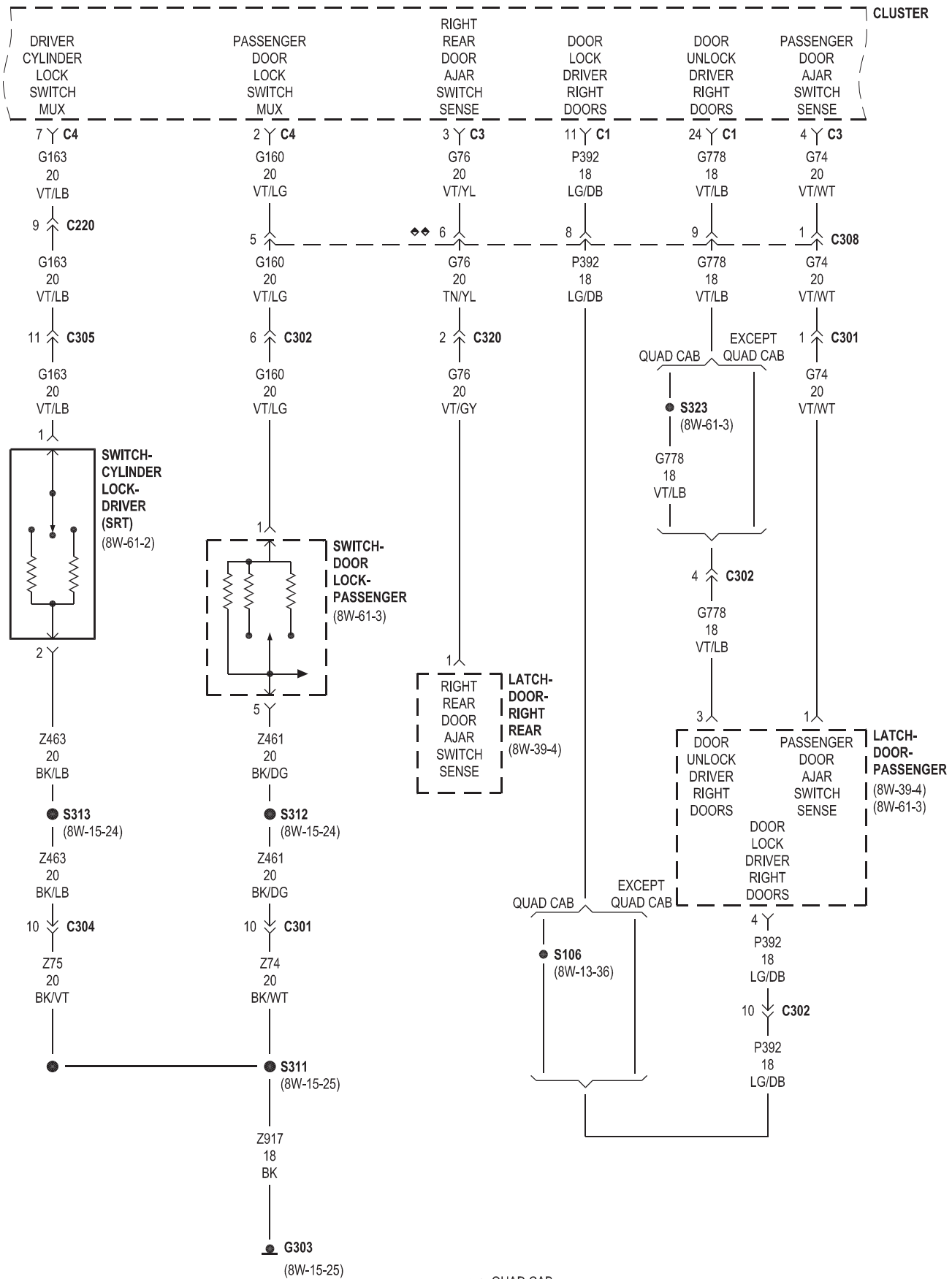
■ ■ A/T

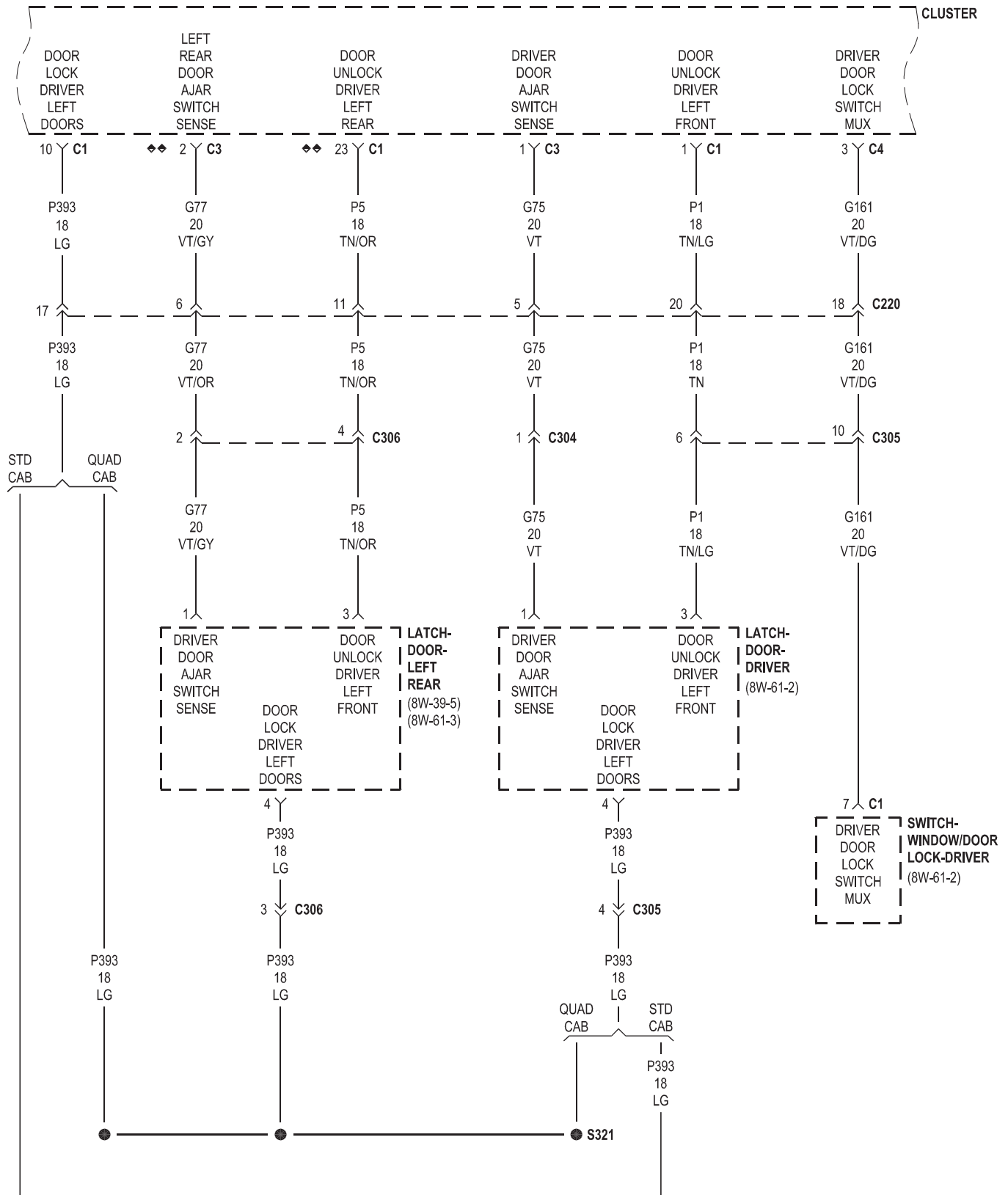






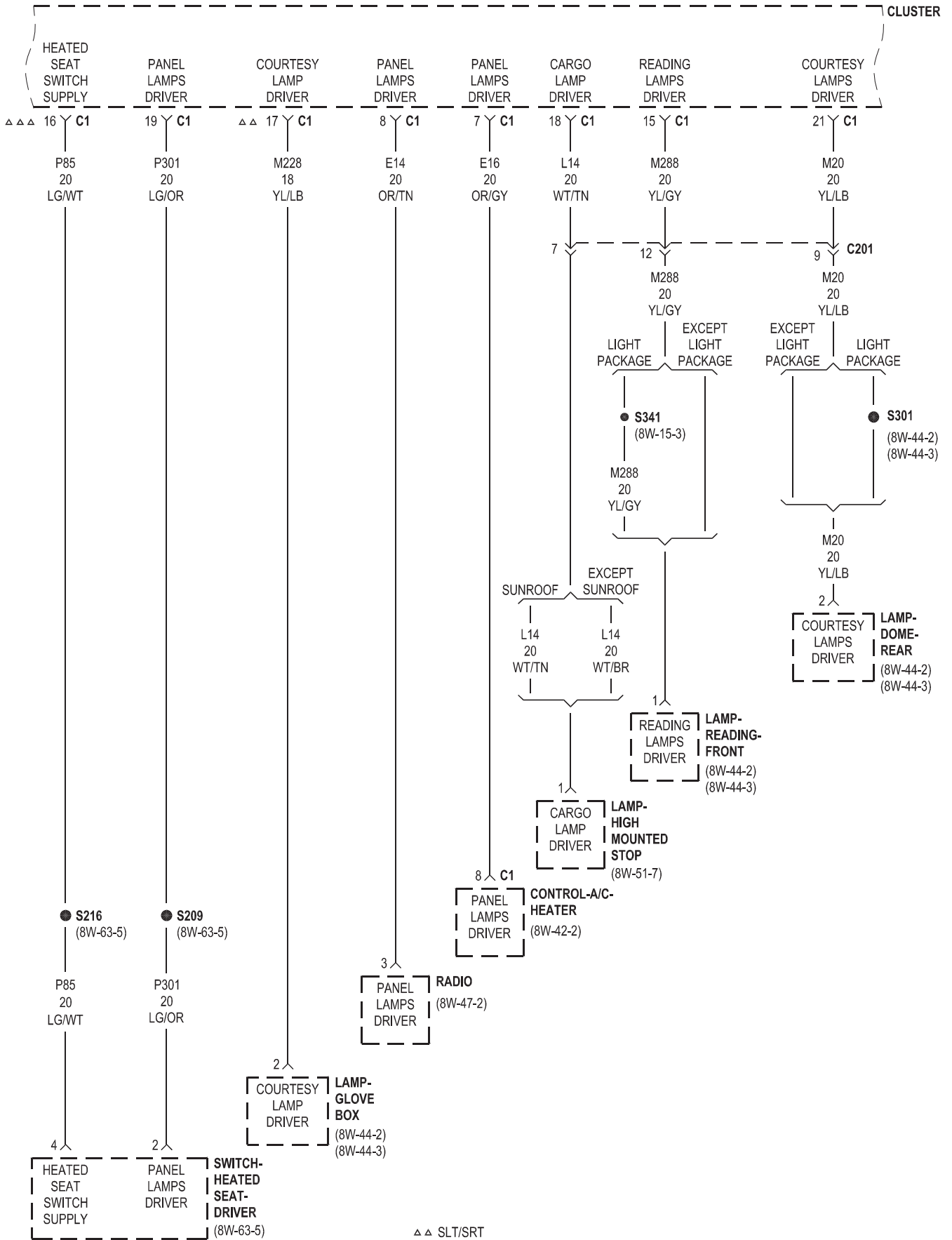
**DR 8W-40 INSTRUMENT CLUSTER EXCEPT BASE 8W - 40 - 7**

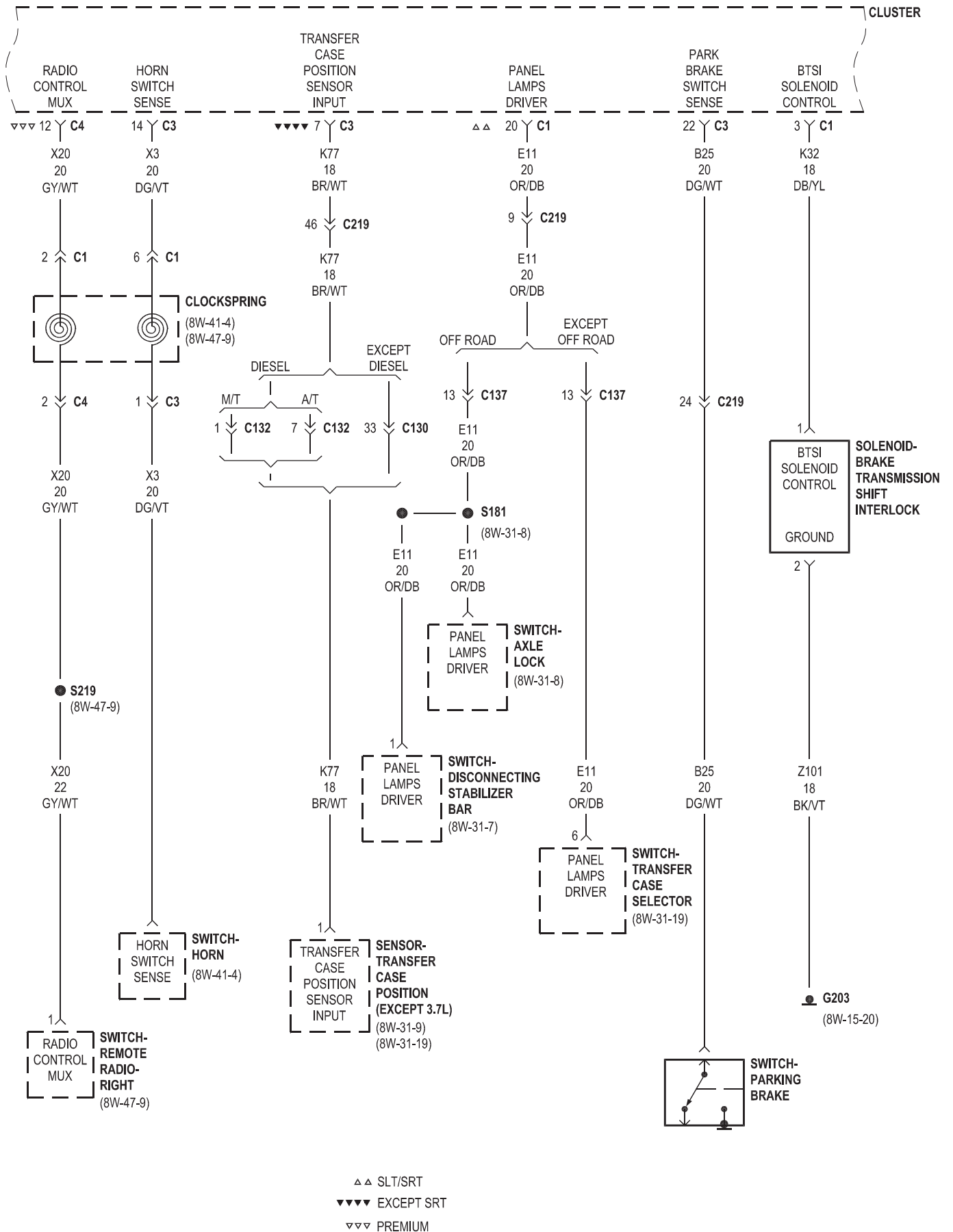




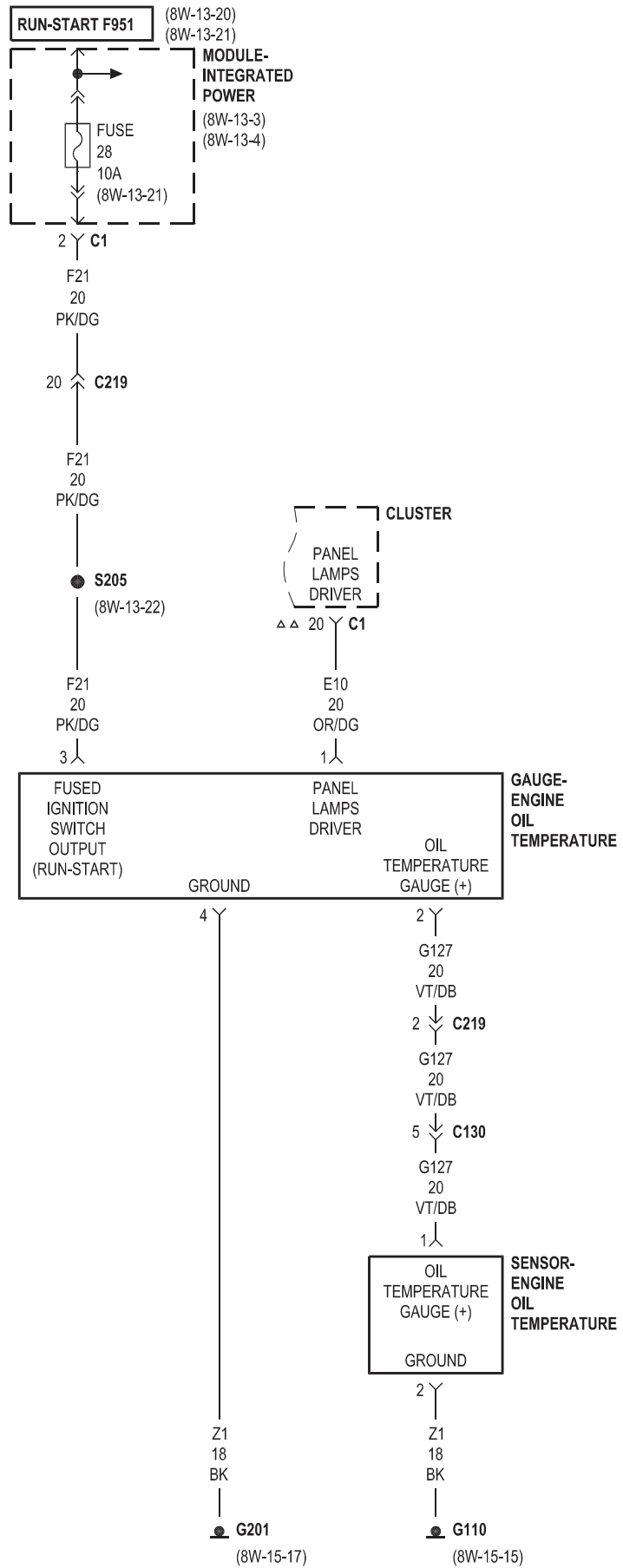
◆◆ QUAD CAB







SRT



△△ SLT/SRT

