

8W-91 CONNECTOR/GROUND/SPLICE LOCATION

TABLE OF CONTENTS

page

CONNECTOR/GROUND/SPLICE LOCATION
 DESCRIPTION 1

CONNECTOR/GROUND/SPLICE LOCATION

DESCRIPTION

This section provides illustrations identifying connector, ground, and splice locations in the vehicle. Connector, ground, and splice indexes are provided. Use the wiring diagrams in each section for connector, ground, and splice identification. Refer to the index for the proper figure number. For items that are not shown in this section N/S is placed in the Fig. column.

CONNECTORS

CONNECTOR NAME/NUMBER	COLOR	LOCATION	FIG.
Actuator-Blend Door-Driver	GY	On HVAC Unit	42
Actuator-Blend Door-Passenger (Dual Zone)	GY	On HVAC Unit	42
Actuator-Fuel Control (Diesel)		Left Rear Engine	N/S
Actuator-Mode Door 1 (Panel to Floor)	GY	On HVAC Unit	42
Actuator-Mode Door 2 (Defrost to Floor)	GY	On HVAC Unit	42
Actuator-Recirculation Door	GY	On HVAC Unit	N/S
Airbag-Driver Squib 1	BK	On Steering Wheel	45
Airbag-Driver Squib 2	BR	On Steering Wheel	45
Airbag-Passenger Squib	YL	Right Front of Instrument Panel	49
Airbag-Side Curtain-Left	YL	Top Left B-Pillar	60, 65
Airbag-Side Curtain-Right	YL	Top Right B-Pillar	64, 66
Amplifier-Radio C1	WT	Top Center of Instrument Panel	49
Amplifier-Radio C2	WT	Top Center of Instrument Panel	49
Amplifier-Subwoofer (SRT)	WT	Center Body	60, 61, 65
Antenna-Radio	-	At Antenna Base	51
Antenna-Satellite		Center Rear Roof	63
Antenna Cable-Radio	-	Right Kick Panel	51
Antenna Cable-Satellite		Behind Passenger Seat	62, 63
Assembly-EGR Valve	BK	Right Front Engine	11
Assembly-Line Pressure Sensor/ Variable Force Solenoid	BK	Left Side Transmission	19
Assembly-Natural Vacuum Leak Detection (NGC)	BK	Rear of Transmission	24
Assembly-Shift Motor/Mode Sensor	DK GY	Left Front Side of Transfer Case	22, 26

CONNECTOR NAME/NUMBER	COLOR	LOCATION	FIG.
Assembly-Transmission Solenoid (RE)	LT BR	Left Side of Transmission	22
Assembly-Transmission Solenoid/ Pressure Switch (RLE)	LT BR	Right Rear of Transmission	19
Assembly-Transmission Solenoid/ TRS (RFE)	BK	Left Side of Transmission	20
Assembly-Transmission Throttle Valve		On Transmission	N/S
Assembly-Winch B(+) Eyelet		Behind Front Bumper	2
Assembly-Winch (Ground)		Behind Front Bumper	2
Backlite-Heated (Ground)	BK	Right of Rear Window	67
Backlite-Heated (Power)	BK	Left of Rear Window	60, 65
Battery-Negative (Gas)	-	Left Engine Compartment	36, 2
Battery-Negative (Diesel Left Battery)	-	Left Engine Compartment	2
Battery-Negative (Diesel Right Battery)	-	Right Engine Compartment	N/S
Battery-Positive (Gas)	-	Left Engine Compartment	2, 36
Battery-Positive (Diesel Left)	-	Left Engine Compartment	2, 17
Battery-Positive (Diesel Right)	-	Right Engine Compartment	17
C102	GY	Near Integrated Power Module	32, 36
C103	BK	Left Rear Engine Compartment	31, 41
C108	BK	Rear Engine	20
C112 (Diesel)	BK	Left Side Engine	N/S
C116 (Diesel)	BK	Top of Engine Near Injectors 3 and 4	16
C117 (Diesel)	BK	Top of Engine Near Injectors 5 and 6	16
C130	BK	Rear of Engine	6, 31, 40, 41
C131 (GAS)	BK	Right Rear Engine Compartment	6, 31
C132 (Diesel)	DK GY	Rear Engine Compartment	41
C134	DK GY	Left Rear Engine Compartment	34, 71
C135	BK	Left Rear Engine Compartment	34, 71
C136	NAT	Front of Left Instrument Panel	33, 60, 65
C137	NAT	Left Kick Panel	33
C138	BK	Left Front Engine Compartment	32
C139	BK	Rear Rear Engine Compartment	31
C140	DK GY	Left Rear Engine	9
C200	LT GY	Under Instrument Panel	49
C201	LT GY	Near Left Instrument Panel Speaker	49, 55
C206	BK	Right Instrument Panel	49, 67
C219	GY	Left Side of Instrument Panel	33, 44, 49, 52
C220	NAT	Left Side of Instrument Panel	44, 49, 52, 60, 65
C221	LT GY	Left Upper Instrument Panel	49, 55

CONNECTOR NAME/NUMBER	COLOR	LOCATION	FIG.
C301	WT	Right Kick Panel	58, 64, 66
C302	NAT	Left Front Door	58, 64, 66
C304	WT	Left Side of Instrument Panel	57, 65
C305	NAT	At Left Front Door	57,65
C306	WT	Middle Front of Door	59, 65
C308	NAT	Under Instrument Panel	49, 64, 66
C309	NAT	Left Side of Instrument Panel	44, 49, 60, 65
C311	DK GY	Left Rear of Frame	60, 65, 68
C313		At Driver Seat	68
C315	WT	At Driver Seat	68
C316	WT	At Passenger Seat	68
C319	LT GY	Bottom Left of Left Door	N/S
C320	NAT	Right Rear Door	59, 66
C323	GY	Right Front Corner of Passenger Seatl	69
C327	BK	Right Rear Fender	72, 73
C328	BK	Left Rear Fender	72, 73
C337	NAT	Left B-Pillar	60, 65
C339	DK GY	Under Right Front Seat	60, 66, 69
C340	BK	Center Headliner	56
Capacitor-Ignition	BK	Left Rear of Engine Compartment	6
Clockspring C1	WT	Steering Column	44, 50
Clockspring C2	YL	Steering Column	44, 50
Clockspring C3	BK	Steering Column	45
Clockspring C4	BK	Steering Column	45
Cluster C1	WT	Rear of Instrument Cluster	53
Cluster C3	GY	Rear of Instrument Cluster	53
Cluster C4	GY	Rear of Instrument Cluster	53
Clutch-A/C Compressor	BK	At A/C Compressor	5, 8, 9,13, 16
Coil-Ignition-Left (SRT)	BK	Top Front of Engine	28
Coil-Ignition-No. 1	BK	Left Top Side of Intake Manifold	8, 9
Coil-Ignition-No. 2	BK	Right Top Side of Intake Manifold	5, 11
Coil-Ignition-No. 3	BK	Left Top Side of Intake Manifold	8, 9
Coil-Ignition-No. 4	BK	Right Top Side of Intake Manifold	5, 11
Coil-Ignition-No. 5	BK	Left Top Side of Intake Manifold	7, 8, 9
Coil-Ignition-No. 6	BK	Right Top Side of Intake Manifold	5, 11
Coil-Ignition-No. 7	BK	Left Top Side of Intake Manifold	8, 9
Coil-Ignition-No. 8	BK	Right Top Side of Intake Manifold	5, 11
Coil-Ignition-Right (SRT)	BK	Top Front of Engine	N/S
Control-A/C-Heater C1	BK	Center of Instrument Panel	50
Control-A/C-Heater C2	BK	Center of Instrument Panel	50
Data Link Connector	BK	Left Bottom of Instrument Panel	52

CONNECTOR NAME/NUMBER	COLOR	LOCATION	FIG.
Data Link Connector - Engine (Diesel)	BK	Near T/O for Water In Fuel Sensor	N/S
Drive-Fan-Radiator (SRT)	DK GY	Front Engine Compartment	38
Gauge-Oil Temperature (SRT)	NAT	Left Instrument Panel	48
Generator (Except SRT)	BK	Front of Engine	8, 9, 10, 11, 16
Generator (SRT)	GY	Right Front Engine	13
Heater-Fuel (Diesel)	BK	Left Side Engine	16
Heater-Intake Air No. 1 (Diesel)		On Engine	N/S
Heater-Intake Air No. 2 (Diesel)		On Engine	N/S
Heater-Seat Back-Driver	BK	Under Driver Seat	68
Heater-Seat Back-Passenger	BK	Under Passenger Seat	69
Heater-Seat Cushion - Driver	GN	Under Driver Seat	68
Heater-Seat Cushion - Passenger	GN	Under Passenger Seat	69
Horn-No. 1	BK	Left Front Fender	39
Horn-No. 2	BK	Left Front Fender	39
Injector-Fuel-No. 1	BK	Left Top Engine	8, 9, 12
Injector-Fuel-No. 2	BK	Right Top Engine	5, 11, 12
Injector-Fuel-No. 3	BK	Left Top Engine	8, 9, 12
Injector-Fuel-No. 4	BK	Right Top Engine	5, 11, 12
Injector-Fuel-No. 5	BK	Left Top Engine	8, 9, 12
Injector-Fuel-No. 6	BK	Right Top Engine	5, 11, 12
Injector-Fuel-No. 7	BK	Left Top Engine	8, 9, 12
Injector-Fuel-No. 8	BK	Right Top Engine	5, 11, 12
Injector-Fuel-No. 9 (SRT)	BK	Left Top Engine	12
Injector-Fuel-No. 10 (SRT)	BK	Right Top Engine	12
Lamp-Center Bezel	BK	Center Stack	50
Lamp-CHMSL-Aftermarket		Left Rear Chassis	72
Lamp-Clearance No. 1	BK	Left Roof	67
Lamp-Clearance No. 2	BK	Left-Center Roof	67
Lamp-Clearance No. 3	BK	Center Roof	67
Lamp-Clearance No. 4	BK	Right-Center Roof	67
Lamp-Clearance No. 5	BK	Right Roof	67
Lamp-Dome-Rear	BK	Center of Headliner	55
Lamp-Fender-Front Left (Dual Wheels)	BK	Front of Left Rear Fender	73
Lamp-Fender-Front Right (Dual Wheels)	BK	Rear of Left Rear Fender	73
Lamp-Fender-Rear Left (Dual Wheels)	BK	Front of Right Rear Fender	73
Lamp-Fender-Rear Right (Dual Wheels)	BK	Rear of Right Rear Fender	73
Lamp-Fog-Left Front	GY	Left Front Facia	N/S
Lamp-Fog-Right Front	GY	Right Front Facia	N/S
Lamp-Glove Box	BK	At Glove Box	49

CONNECTOR NAME/NUMBER	COLOR	LOCATION	FIG.
Lamp-Headlamp-Left	DK GN	At Headlamp	32
Lamp-Headlamp-Right	DK GN	At Headlamp	3, 31
Lamp-High Mounted Stop/Cargo	WT	Rear of Cab	55, 70
Lamp-License-Left	BK	At Rear Bumper	71, 72
Lamp-License-Right	BK	At Rear Bumper	71, 72
Lamp-Park/Turn-Left Front	BR	At Lamp	32
Lamp-Park/Turn-Right Front	BR	At Lamp	3, 31
Lamp-Reading-Front	BK	Center of Headliner	55
Lamp-Side Marker-Left Front	BK	Left Front Engine Compartment	32
Lamp-Side Marker-Right Front	BK	Right Front Engine Compartment	3, 31
Lamp-Tail/Stop/Turn-Left	BK	At Lamp	71, 72
Lamp-Tail/Stop/Turn-Right	BK	At Lamp	71, 72
Lamp-Underhood	BK	Left Hood	39
Lamp-Vanity-Left (SRT-10)	BK	Left Headliner	55
Lamp-Vanity-Right (SRT-10)	BK	Right Headliner	55
Lamp Bar-Tailgate	BK	At Tailgate	72
Latch-Door-Driver	BK	Left Front Door	57
Latch-Door-Left Rear	BK	Left Rear Door	59
Latch-Door-Passenger	BK	Right Front Door	58
Latch-Door-Right Rear	BK	Right Rear Door	59
Media System-Monitor/DVD	BK	Center Headliner	56
Mirror-Inside Rearview C1	BK	Top Center of Windshield	67
Mirror-Inside Rearview C2	BK	Top Center of Windshield	67
Mirror-Outside Rearview-Driver	BK	At Mirror	57
Mirror-Outside Rearview-Passenger	BK	At Mirror	58
Module-Anti-Lock Brakes		Left Fender Side Shield	32, 34
Module-Axle Disconnect	DK GY	Lower Left Engine Compartment	36
Module-Brake Provision	BL	Left Kick Panel	33
Module-Electronic Overhead	BK	In Overhead Console	55
Module-Engine Control C1	BK	Left Engine	16, 18
Module-Engine Control C2	BK	Left Engine	18
Module-Final Drive Control		Right Front Engine Compartment	30, 31
Module-Fuel Pump	LT GY	At Fuel Tank	71
Module-Gateway	BK	Right Rear Engine Compartment	31
Module-Hands Free	DK GY	Right Instrument Panel	49
Module-Occupant Restraint Controller C1		Left Fender Side Shield	54
Module-Occupant Restraint Controller C2		Left Fender Side Shield	60, 65
Module-Powertrain Control C1 (NGC)	BK	Right Rear Engine Compartment	6
Module-Powertrain Control C1 (SRT-10)	BK	Right Rear Engine Compartment	40

CONNECTOR NAME/NUMBER	COLOR	LOCATION	FIG.
Module-Powertrain Control C2 (NGC)	BK/OR	Right Rear Engine Compartment	6
Module-Powertrain Control C2 (SRT-10)	BK/GY	Right Rear Engine Compartment	40
Module-Powertrain Control C3 (NGC)	BK/NAT	Right Rear Engine Compartment	31
Module-Powertrain Control C3 (SRT-10)	BK/WT	Right Rear Engine Compartment	31
Module-Powertrain Control C4	BK/GN	Right Rear Engine Compartment	6
Module-Sentry Key Remote Entry	BK	On Steering Column	43, 50
Module-Totally Integrated Power C1	LT GY	Left Front Fender	35
Module-Totally Integrated Power C2	BK	Left Front Fender	35
Module-Totally Integrated Power C3	BK	Left Front Fender	35
Module-Totally Integrated Power C4	LT GY	Left Front Fender	35
Module-Totally Integrated Power C5	BK	Left Front Fender	35
Module-Totally Integrated Power C6	BR	Left Front Fender	35
Module-Totally Integrated Power C7	BL	Left Front Fender	35
Module-Totally Integrated Power C8	BR	Left Front Fender	35
Module-Totally Integrated Power C9	BL	Left Front Fender	35
Module-Totally Integrated Power C10	LT GY	Left Front Fender	35
Module-Totally Integrated Power Eyelet	-	Right Side of IPM	36
Motor-Adjustable Pedals	LT GY	Left of Instrument Panel	52
Motor-Blower	BK	Behind Right Side of Instrument Panel	42
Motor-Condenser Fan	BK	Near Condenser	33
Motor-IAC	BK	On Throttle Body	8, 12
Motor-Power Sliding Backlite		Below Center of Backlite	66
Motor-Seat Adjuster-Driver Horizontal	BK	At Driver Seat	68
Motor-Seat Adjuster-Front Driver Vertical	BK	At Driver Seat	68
Motor-Seat Adjuster-Front Passenger Vertical	BK	At Passenger Seat	69
Motor-Seat Adjuster-Passenger Horizontal	BK	At Passenger Seat	69

CONNECTOR NAME/NUMBER	COLOR	LOCATION	FIG.
Motor-Seat Adjuster-Rear Driver Vertical	BK	At Driver Seat	68
Motor-Seat Adjuster-Rear Passenger Vertical	BK	At Passenger Seat	69
Motor-Window-Left Front	BK	In Passenger Door at Motor	57
Motor-Window-Left Rear	BK	In Door at Motor	59
Motor-Window-Right Front	BK	In Passenger Door at Motor	58
Motor-Window-Right Rear	BK	In Door at Motor	59
Motor-Windshield Wiper		Left Side of Cowl	32, 34
Motor/Module-Sunroof		Center Headliner	N/S
Power Outlet-Cigar Lighter (Except SRT)	GY	Rear of Cigar Lighter	46, 50
Power Outlet-Console	GY	In Center Console	68
Power Outlet-Instrument Panel	GY	Center of Instrument Panel	50
Pump-Fuel Injection (Diesel)	BK	Left Side Engine	16, 18
Pump-Leak Detection (SRT)	BK	Rear of Transmission	27, 29
Pump-Washer-Windshield	BK	At Washer Fluid Reservoir	31
Radio C1 (Base)	BK	Rear of Radio	50
Radio C1 (Premium)	BK	Rear of Radio	50
Radio C2 (Premium)	GY	Rear of Radio	50
Receiver-Satellite	BK	Rear Cab Floor	49
Receiver-Satellite Antenna		At Receiver on Rear Cab Floor	62
Relay-Intake Air Heater	-	Right Engine Compartment	4
Relay-Starter		Left Kick Panel	35
Resistor-Blower Motor	BK	Behind Right Side of Instrument Panel	42
Seat Belt-Tension Reducer-Driver	NAT	Left B-Pillar	60
Seat Belt-Tensioner-Driver	BK	Left B-Pillar	60, 65
Seat Belt-Tensioner-Passenger	BK	Right B-Pillar	64, 66
Sensor-Accelerator Pedal Position	BK	Under Battery Tray	33
Sensor-Ambient Air Temperature	BK	Left Rear of Hood	32
Sensor-Battery Temperature	BK	Below Battery Tray	32, 34
Sensor-Brake Fluid Level	BK	Near Master Cylinder	34
Sensor-Camshaft Position	GY	Right Front Side of Engine	5, 11
Sensor-Crankshaft Position (Except SRT)	BK	Right Rear of Engine Block	5, 11, 19
Sensor-Crankshaft Position (SRT)	BK	Front Underside of Engine	N/S
Sensor-Engine Coolant Temperature	BK	Front of Engine	8, 11, 12
Sensor-Engine Oil Pressure (SRT)	BK	Lower Right Front Engine	15
Sensor-Engine Oil Temperature	BK	Lower Right Front Engine	11, 15
Sensor-Evaporator Temperature	BK	Right Side of HVAC	42
Sensor-Front Impact-Left	YL	Left Front Engine Compartment	32
Sensor-Front Impact-Right	YL	Right Front Engine Compartment	31

CONNECTOR NAME/NUMBER	COLOR	LOCATION	FIG.
Sensor-Input Speed	BK	At Transmission	19, 22
Sensor-Intake Air Temperature (Except SRT)	DK GY	On Intake Manifold	7, 9, 11
Sensor-Intake Air Temperature (SRT)	BK	On Intake Manifold	14
Sensor-Knock	BK	Left Rear of Engine	7
Sensor-Knock No. 1 (5.7L)	BK	Left Rear of Engine	9
Sensor-Knock No. 2 (5.7L)	BK	Right Rear of Engine	11
Sensor-Knock No. 1 (SRT)	BK	Right Side Engine	12
Sensor-Knock No. 2 (SRT)	BK	Left Rear Engine	12
Sensor-Line Pressure	BK	Right Rear of Transmission	24
Sensor-MAP	GY	Left Front of Intake Manifold	8, 9, 11, 12
Sensor-Output Speed	BK	Left Side of Transmission	19, 20, 22
Sensor-Oxygen-Left Front (3.7L)	BK	Left Front of Side of Transmission	19, 23
Sensor-Oxygen-Left Front (4.7L)	BK	Left Front of Side of Transmission	22, 23
Sensor-Oxygen-Left Front (5.7L/Diesel)	BK	Left Front of Side of Transmission	22, 25, 26
Sensor-Oxygen-Left Front (SRT)	BK	Left Front of Side of Transmission	27, 28
Sensor-Oxygen-Left Rear (3.7L)	BK	Left Front of Side of Transmission	19, 23
Sensor-Oxygen-Left Rear (4.7L)	BK	Left Front of Side of Transmission	22, 23
Sensor-Oxygen-Left Rear (5.7L/Diesel)	BK	Left Front of Side of Transmission	22, 25
Sensor-Oxygen-Left Rear (SRT)	BK	Left Front of Side of Transmission	27, 28
Sensor-Oxygen-Right Front (3.7L)	BK	Left Front of Side of Transmission	19, 23
Sensor-Oxygen-Right Front (4.7L)	BK	Left Front of Side of Transmission	23
Sensor-Oxygen-Right Front (5.7L/Diesel)	BK	Left Front of Side of Transmission	24
Sensor-Oxygen-Right Front (SRT)	BK	Left Front of Side of Transmission	28
Sensor-Oxygen-Right Rear (3.7L)	BK	Left Front of Side of Transmission	19, 23
Sensor-Oxygen-Right Rear (4.7L)	BK	Left Front of Side of Transmission	23
Sensor-Oxygen-Right Rear (5.7L/Diesel)	BK	Left Front of Side of Transmission	24, 25, 26
Sensor-Oxygen-Right Rear (SRT)	BK	Left Front of Side of Transmission	27, 28
Sensor-Prop Shaft Speed-Front (Full Time ETC)		Top of Transfer Case	22
Sensor-Prop Shaft Speed-Rear (Full Time ETC)		Top of Transfer Case	22
Sensor-Seat Track Position-Driver	GY	Right Rear Bottom of Driver Seat	68
Sensor-Side Impact-Left 1	YL	Left B-Pillar	60, 65
Sensor-Side Impact-Right 1	YL	Right B-Pillar	64, 66
Sensor-Temperature/Pressure-Intake	BK	Right Side Engine	4, 16
Sensor-Temperature/Pressure MAP (Diesel)	BK	Left rear Engine	N/S

CONNECTOR NAME/NUMBER	COLOR	LOCATION	FIG.
Sensor-Throttle Position (Except SRT)	NAT	Throttle Body	8
Sensor-Throttle Position (SRT)	BK	Top of Engine	14
Sensor-Transfer Case Position (Manual Transfer Case)	BK	Near T/O for Backup Lamp Switch	23
Sensor-Transmission Range	BK	Left side of Transmission	19, 20
Sensor-Water In Fuel (Diesel)	BK	Left Side Engine	18
Sensor-Wheel Speed-ABS-Left Front	BK	Left Rear Lower Side of Engine Compartment	39
Sensor-Wheel Speed-ABS-Rear	BK	Right Rear of Body	72
Sensor-Wheel Speed-ABS-Right Front	BK	Right Rear Lower Side of Engine Compartment	31
Servo-Speed Control	BK	Left Front Side of Engine Compartment	34
Solenoid-Brake Transmission Shift Interlock	BK	Near Steering Column	44, 50
Solenoid-Evap/Purge	BK	Left Fender Side Shield	34
Solenoid-Locker-Front	BK	Left Rear Engine	37
Solenoid-Locker-Rear	BK	At Rear Differential	72
Solenoid-Multiple Displacement No. 1	BK	Top of Engine	N/S
Solenoid-Multiple Displacement No. 4	BK	Top of Engine	N/S
Solenoid-Multiple Displacement No. 6	BK	Top of Engine	N/S
Solenoid-Multiple Displacement No. 7	BK	Top of Engine	N/S
Solenoid-Reverse Lock-Out (SRT)	WT	Left Rear of Transmission	27
Solenoid-Wastegate		Right Front Engine	16
Speaker-Instrument Panel-Center	WT	Center of Instrument Panel	49, 50
Speaker-Instrument Panel-Left	BK	Left Side of Instrument Panel	49
Speaker-Instrument Panel-Right	BK	Right Side of Instrument Panel	49
Speaker-Left Front Door	WT	In Left Front Door	57
Speaker-Left Rear (Standard Cab)	WT	In Lower Left B-Pillar	60
Speaker-Left Rear (Quad Cab)	WT	In Left Rear Door	59
Speaker-Right Front Door	WT	In Right Front Door	58
Speaker-Right Rear (Standard Cab)	WT	In Lower Right B-Pillar	64
Speaker-Right Rear (Quad Cab)	WT	In Right Rear Door	59
Speaker-Subwoofer (SRT)		Rear Center Cab	61, 64, 65
Starter	NAT	Left Engine	13, 37
Starter-Eyelet	-	Left Rear of Engine	13, 37
Switch-Adjustable Pedals	BL	Left of Instrument Panel	46, 53
Switch-Axle Lock		Bottom of Center Stack	N/S

CONNECTOR NAME/NUMBER	COLOR	LOCATION	FIG.
Switch-Back Up Lamp (Except SRT)	BK	Left Rear of Transmission	21, 23, 25, 26
Switch-Back Up Lamp (SRT)		Right Side of Transmission	27
Switch-Clutch Interlock	GN	At Clutch Pedal	33
Switch-Disconnecting Stabilizer Bar		Bottom of Center Stack	N/S
Switch-Door Lock-Passenger	NAT	In Right Front Door	58
Switch-Headlamp	BK	Left Side of Instrument Panel	46, 53
Switch-Heated Seat-Driver	DK GY	Center of Instrument Panel	47, 50
Switch-Heated Seat-Passenger	GN	Center of Instrument Panel	47, 50
Switch-Horn	WT	In Steering Wheel	N/S
Switch-Ignition	BK	Steering Column	44, 50
Switch-Multifunction	BK	On Steering Column	44, 50
Switch-Oil Pressure (Except SRT)	BK	Lower Left Side of Engine	8, 11, 16
Switch-Parking Brake	GY	At Park Brake	33
Switch-Passenger Airbag On/Off	BK	Right Side of Instrument Panel	47, 50
Switch-Power Sliding Backlite		Center Stack	47, 50
Switch-Power Steering Pressure	BK	Near Power Steering Pump	9
Switch-Power Window-Left Rear	BL	In Door	59
Switch-Power Window-Passenger	BL	Passenger Door	58
Switch-Power Window-Right Rear	BL	In Door	59
Switch-PTO		Near G107	N/S
Switch-Push-Button Starter	NAT	Center Instrument Panel	48
Switch-Remote Radio-Left	BK	At Steering Wheel	45
Switch-Remote Radio-Right	BK	At Steering Wheel	45
Switch-Seat-Driver	BK	At Driver Seat	N/S
Switch-Seat-Passenger	BK	At Passenger Seat	N/S
Switch-Seat Belt-Driver	DK GY	Left B-Pillar	68
Switch-Speed Control-Left	BK	At Steering Wheel	N/S
Switch-Speed Control-Right	BK	At Steering Wheel	N/S
Switch-Stop Lamp	BK	Top of Brake Pedal Arm	43
Switch-Sunroof	BK	Front Center of Headliner	55
Switch-Tow/Haul Overdrive	NAT	Center of Instrument Panel	50
Switch-Transfer Case Selector	BK	Center of Instrument Panel	20, 21, 25, 47, 50
Switch-Washer Fluid Level	LT GY	At Reservoir	31
Switch-Winch		Behind Front Bumper	1
Switch-Window/Door Lock-Driver C1	BL	In Left Front Door	57
Switch-Window/Door Lock-Driver C2	BL	In Left Front Door	57
Throttle Body	BK	Top of Engine	10, 11
Transducer-A/C Pressure (Diesel/SRT)	BK	Left Side of A/C Compressor	16
Transducer-A/C Pressure (NGC)	GY	Left Side of A/C Compressor	8, 9
Wiring-Trailer Tow 4-Way		Left Rear Chassis	71, 72

CONNECTOR NAME/NUMBER	COLOR	LOCATION	FIG.
Wiring-Trailer Tow 7-Way	BK	At Trailer Hitch	71, 72
Wiring-Trailer Tow (Box Off)	BK	At Trailer Hitch	72

GROUNDS

GROUND NUMBER	LOCATION	FIG.
G100	Battery Ground - Left Front Engine	36
G101	Battery Ground - Left Front Engine	18
G102	Battery Ground - Left Front Chassis	37
G103	Left Front Engine Compartment	37
G104	Left Front Engine Compartment	32
G105	Right Side Engine Compartment	6
G106	Left Rear Engine Compartment	32
G107	Engine Compartment	N/S
G108	Diesel Auxiliary Battery Ground	N/S
G109	Diesel Auxiliary Battery Ground	N/S
G110 (SRT)	Right Engine Compartment Frame Rail	40
G113	Rear Engine	28
G114 (SRT)	Left Side Engine Compartment	N/S
G114 (Diesel)	Right Side Engine Compartment	16
G115 (SRT)	Rear Engine	N/S
G120	Left Side Engine	16
G121	Left Side Engine	16
G201	Right Side of Instrument Panel	49
G202	Center of Instrument Panel	49
G205	Left Instrument Panel	49
G301	Left Front Body	60, 65
G302	Left Front Body	60, 65
G303	Below Right Side of Rear Window	67
G304	CenterBody	60, 65

SPLICES

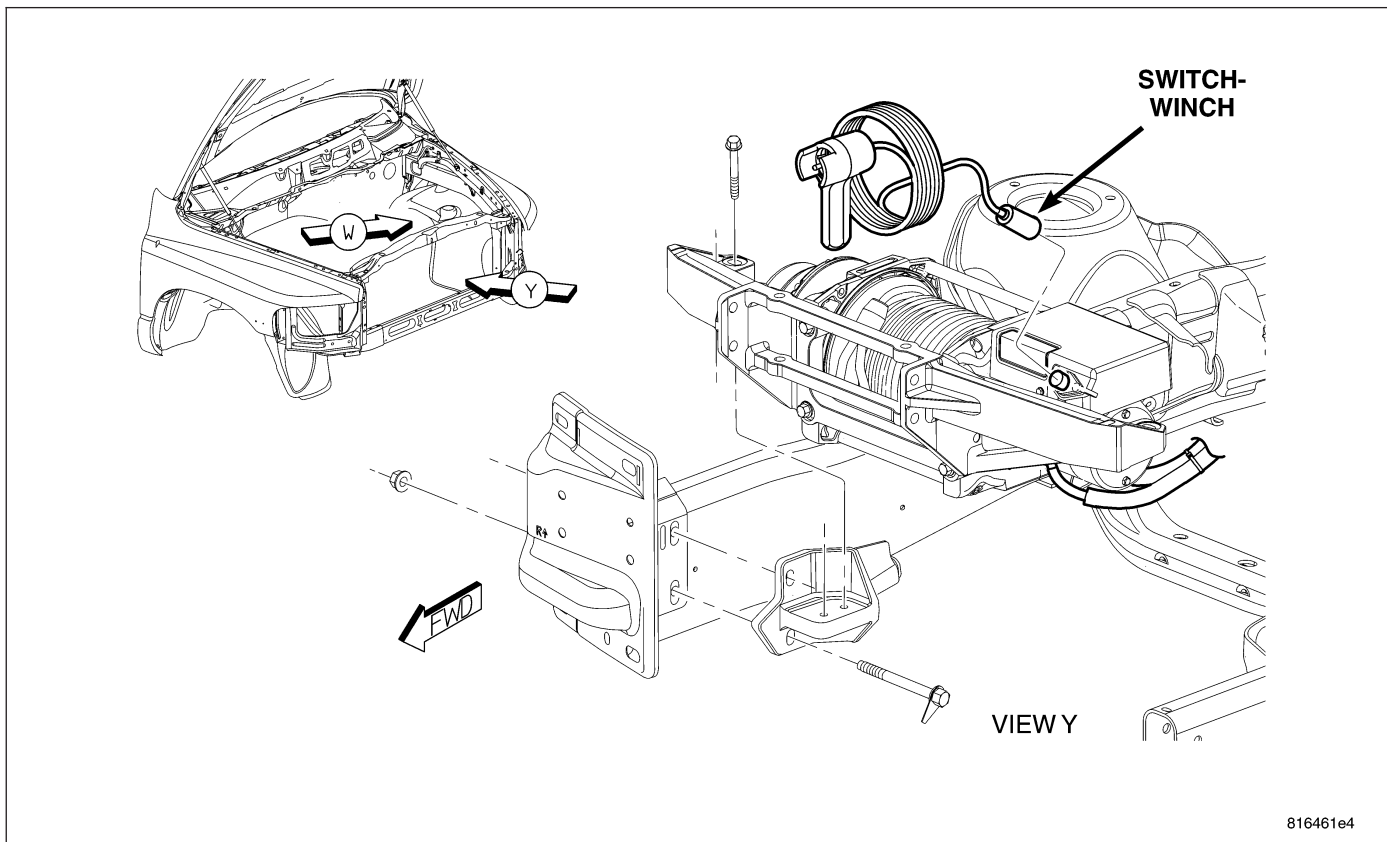
SPLICE NUMBER	LOCATION	FIG.
S011	Right Engine Compartment	32
S012 (Except SRT)	Right Engine Compartment	32
S012 (SRT)	Rear Engine Compartment	31
S014	Rear Engine Compartment	31
S015	Right Engine Compartment	32
S016	Rear Engine Compartment	31
S101	Left Side Engine Compartment	N/S
S102	Left Side Engine Compartment	32

SPLICE NUMBER	LOCATION	FIG.
S103	Left Rear of Engine Compartment	32, 41
S105	Front Facia	N/S
S106	Left Rear of Engine Compartment	32, 41
S111 (Except SRT)	Left Rear Engine Compartment	34
S111 (SRT)	Center Rear of Engine Compartment	32
S112	Right Rear of Engine	5, 6
S115	Left Rear of Engine Compartment	N/S
S117	Top Right of Engine	12
S118	Left Side Engine Compartment	36
S119	Rear of Engine	11
S120	Left Front Fender	32
S121	Left Rear Engine Compartment	32, 41
S123 (Gas)	Left Rear Engine Compartment	32
S123 (Diesel)	Left Side Engine Compartment	32, 41
S124	Right Rear Engine Compartment	40
S125	Right Rear of Engine Compartment	6
S128	Rear Engine Compartment	40
S129	Rear Engine	28
S130	Top Front of Transmission	5, 11
S131 (SRT)	Right Top Engine	12
S132 (3.7L/4.7L))	In T/O for PCM C1	5
S132 (5.7L)	Left Rear of Engine Compartment	6
S132 (SRT)	Left Top Engine	12
S133	Left Rear of Engine	6, 20
S134	Right Top Engine	12
S135	Left Top Engine	12
S136	Left Front Fender	32
S137	Left Rear of Engine Compartment	31
S138	Right Rear Engine Compartment	40
S141	Right Rear Engine Compartment	40
S142 (3.7L/4.7L)	Left Side of Engine	5
S142 (5.7L)	Right Side Engine	11
S144	Top Front of Transmission	20
S145	Left Front Fender	32
S146	Right Rear Engine Compartment	40
S148	Top Front of Transmission	5, 11
S149	Left Rear of Engine	8
S150	Top Center of Engine	5, 6
S152	Left Rear Engine Compartment	32
S153 (Except SRT)	Right Side Engine Compartment	32

SPLICE NUMBER	LOCATION	FIG.
S154	In T/O for PCM C1	6
S156	Engine Harness in T/O for C115	N/S
S157	Near T/O for Camshaft Position Sensor	N/S
S159	Near T/O for Engine Control Module	N/S
S161	Transfer Case Jumper Near T/O for Transfer Case Control Module	N/S
S162	Left Side Engine	N/S
S163	Right Side Engine	N/S
S164	In T/O for Engine Control Module C2	18
S165	In T/O for Engine Control Module C2	18
S166	In Battery Positive Harness	N/S
S168	Right Rear of Engine	5, 11
S169	Right Rear of Engine	5, 11
S170	In T/O for Engine Control Module C1	16, 18
S172	In T/O for Fuel Control Actuator	N/S
S173 (Diesel)	In T/O for Fuel Control Actuator	N/S
S175	Near T/O for Engine Control Module	N/S
S176	Left Side Engine Near T/O for Fuel Control Actuator	16
S177	On Engine Harness Near T/O for C115	N/S
S178	In T/O for PCM C1	6
S179	On Smart Bar Jumper	N/S
S180	Left Front Diesel Engine	16
S181	On Smart Bar Jumper	N/S
S182	Right Rear Engine Compartment	40
S183 (SRT)	Left Transmission	28
S184	Rear Engine Compartment	31
S185	Left Front Engine	N/S
S189	Left Front Engine	16
S194	In T/O for Gateway Module	31
S200	Left Instrument Panel	44
S201	Left Side of Instrument Panel	49
S202	Left Side of Instrument Panel	49
S203	Left Side of Instrument Panel	49
S204	Left Side of Instrument Panel	49, 53
S205	Left Side of Instrument Panel	49
S209	Left of Instrument Panel	49
S211	Left Center Instrument Panel	49
S213	Left Center Instrument Panel	49
S214	Left Center Instrument Panel	49
S215	Center Instrument Panel	49
S217	Center Instrument Panel	49
S218	Center Instrument Panel	49
S221	Center of Instrument Panel	49

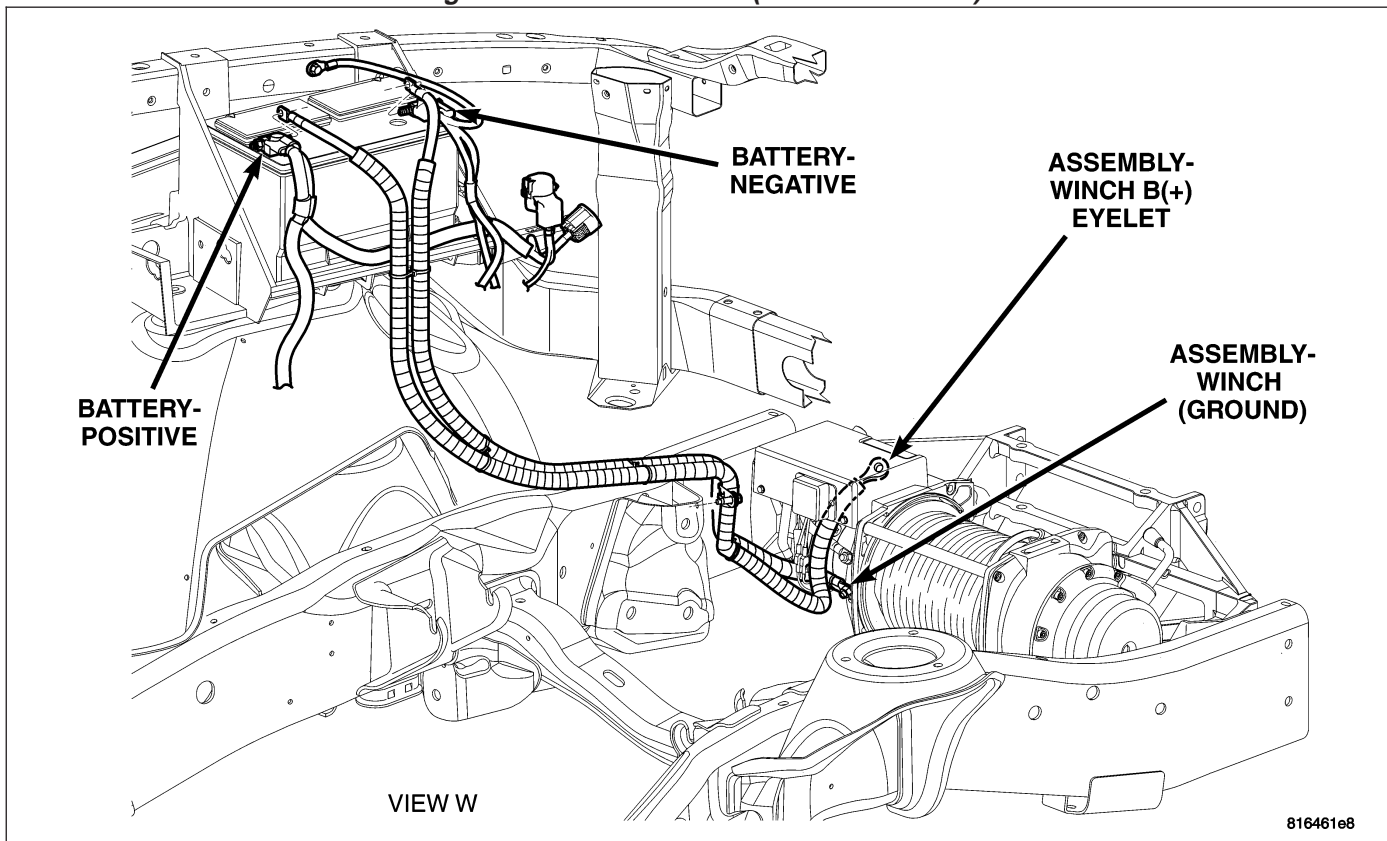
SPLICE NUMBER	LOCATION	FIG.
S222	Left Instrument Panel	49
S223	Center Instrument Panel	50
S224	Right Side of HVAC	N/S
S226	Right Side of HVAC	42
S227	Center Instrument Panel	50
S229	Center Instrument Panel	50
S232	Center Instrument Panel	49
S235	Center Instrument Panel	49
S240	Left Instrument Panel	44
S241	Center Instrument Panel	49
S243	Center Instrument Panel	49
S245	Left Instrument Panel	49
S301	Left Headliner	55
S302	Driver Seat	68
S303	Front Center Roof	67
S305	Front Center Roof	67
S306	Left Side of Frame	N/S
S307	Rear Chassis	72
S308	Left Rear Chassis	71
S309	Center Rear of Chassis	72
S310	Left Headliner	55
S311	Left Front of Body	60, 65
S312	Right Door	58
S313	Left Front Door	57
S314	Left Rear Frame Rail	N/S
S315	Left Front Body	65
S316	At Driver Seat	68
S317	Left Front Body	60
S318	At Passenger Seat	N/S
S319	Left Front Door	57
S320	Center of Body	60, 65
S322	Left Front Body	60, 66
S323	Left Front Body	64, 66
S324	Left Rear Chassis	72
S325	Left Rear Chassis	72
S326	Left Rear Chassis	72
S327	Left Rear Chassis	72
S328	At Driver Seat	N/S
S329	At Driver Seat	N/S
S330	Center Rear of Chassis	72
S331	Center Rear of Chassis	72
S332	Left Front Door	57

SPLICE NUMBER	LOCATION	FIG.
S333	Left Front Body	60, 65
S335	Between Front Seats on Heated Seat Jumper	N/S
S336	Passenger Seat	69
S337	Passenger Seat	N/S
S338	Under Passenger Seat	60
S340	Left Rear Fender	73
S341	Right Rear Fender	73
S342	Left Rear Fender	73
S343	Right Rear Fender	73
S344	Center Headliner	55
S348	Left Headliner	55
S349	Left Headliner	55
S350	Left Headliner	55
S351	Driver Seat	72
S361	Driver Seat	68
S362	Driver Seat	68



816461e4

Fig. 1 WINCH ASSEMBLY (POWER WAGON)



816461e8

Fig. 2 FRONT FRAME (POWER WAGON)

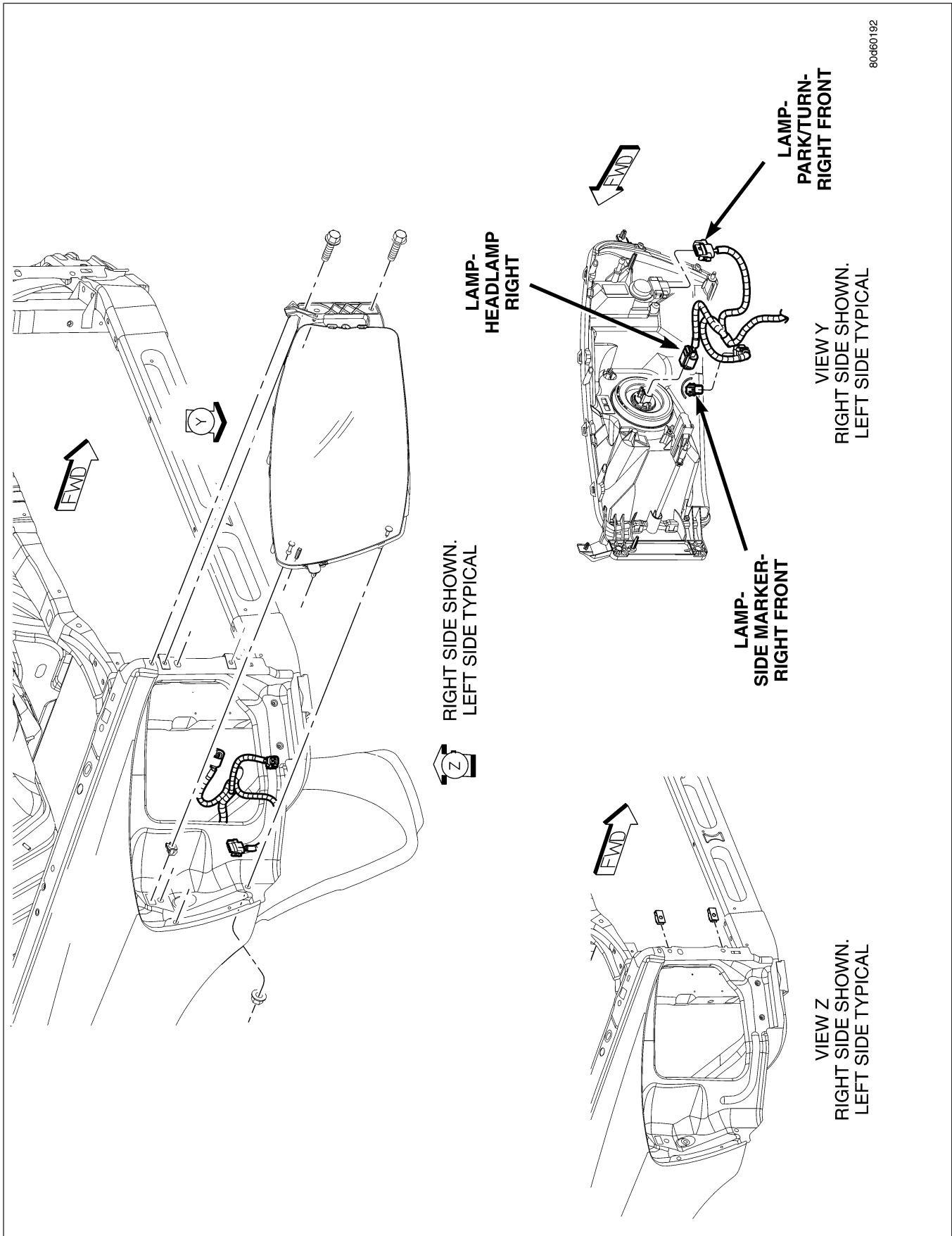
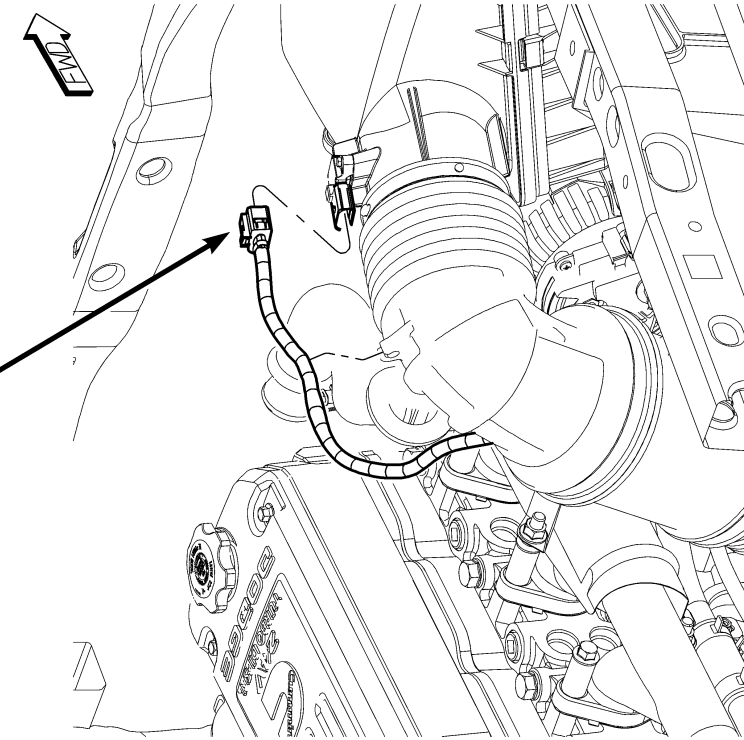


Fig. 3 RIGHT SIDE FRONT LIGHTING

81034971

SENSOR-
TEMPERATURE/
PRESSURE-
INTAKE



RELAY-
INTAKE AIR
HEATER

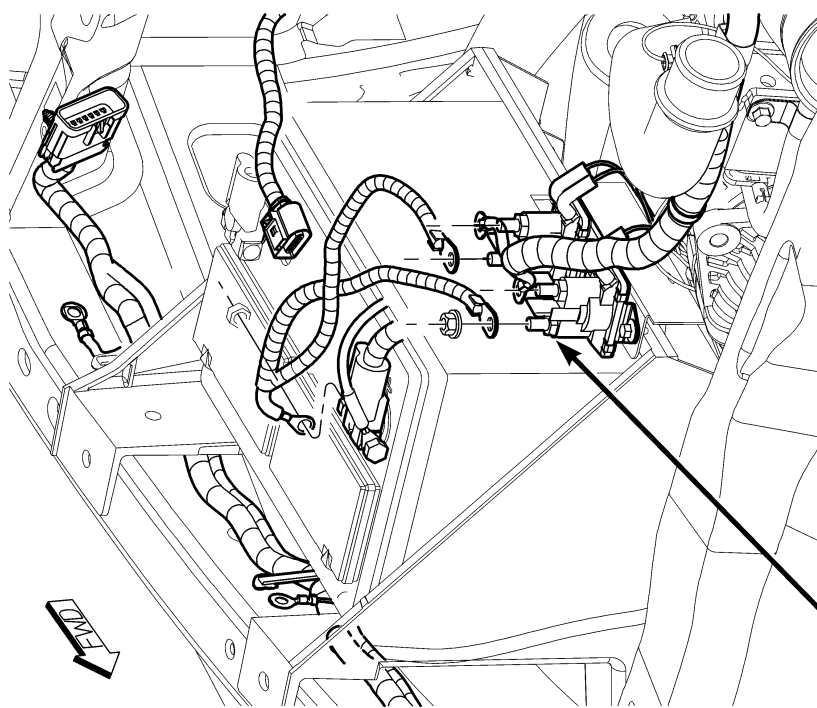


Fig. 4 RIGHT BATTERY AND ENGINE

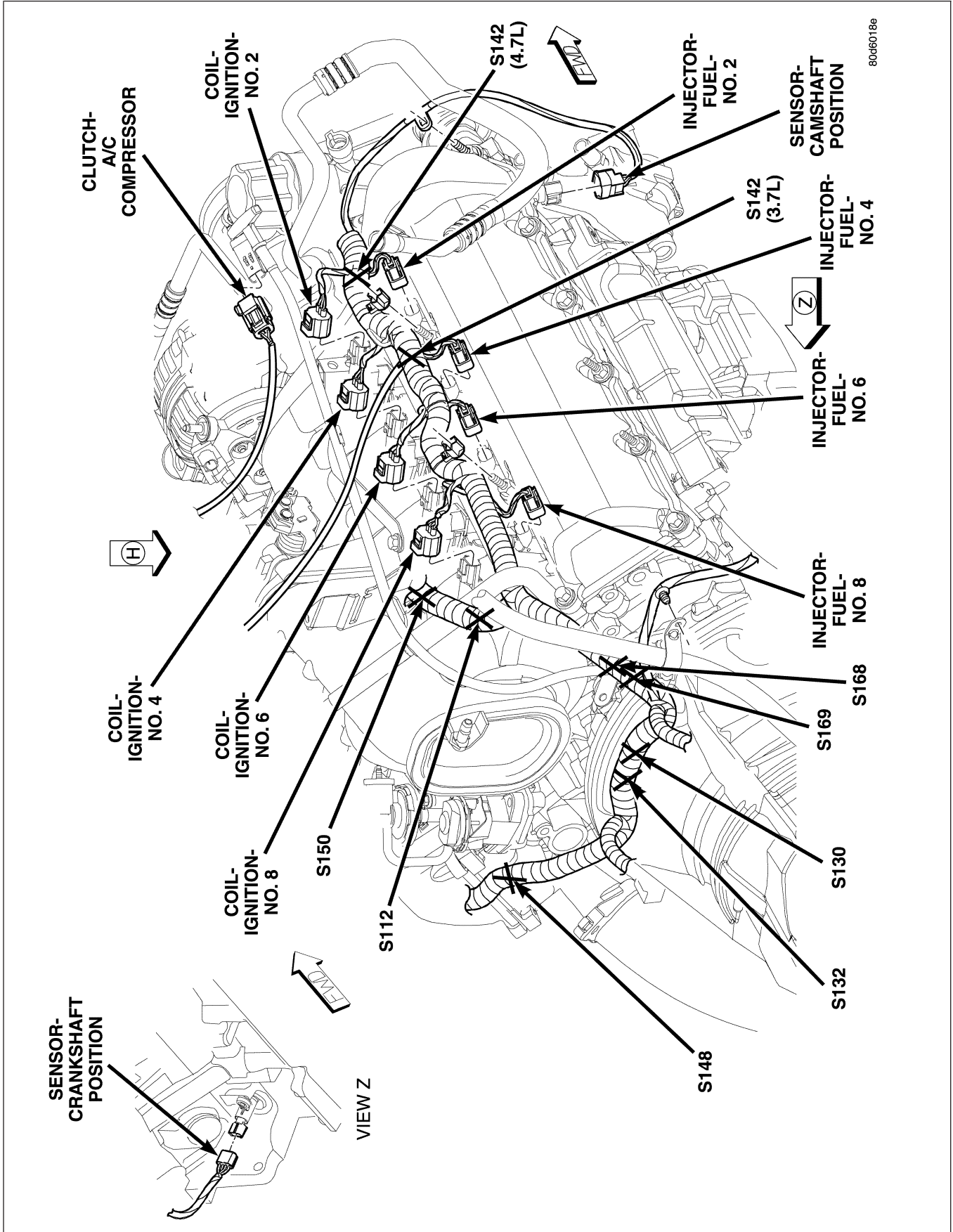


Fig. 5 RIGHT SIDE ENGINE - 3.7L/4.7L

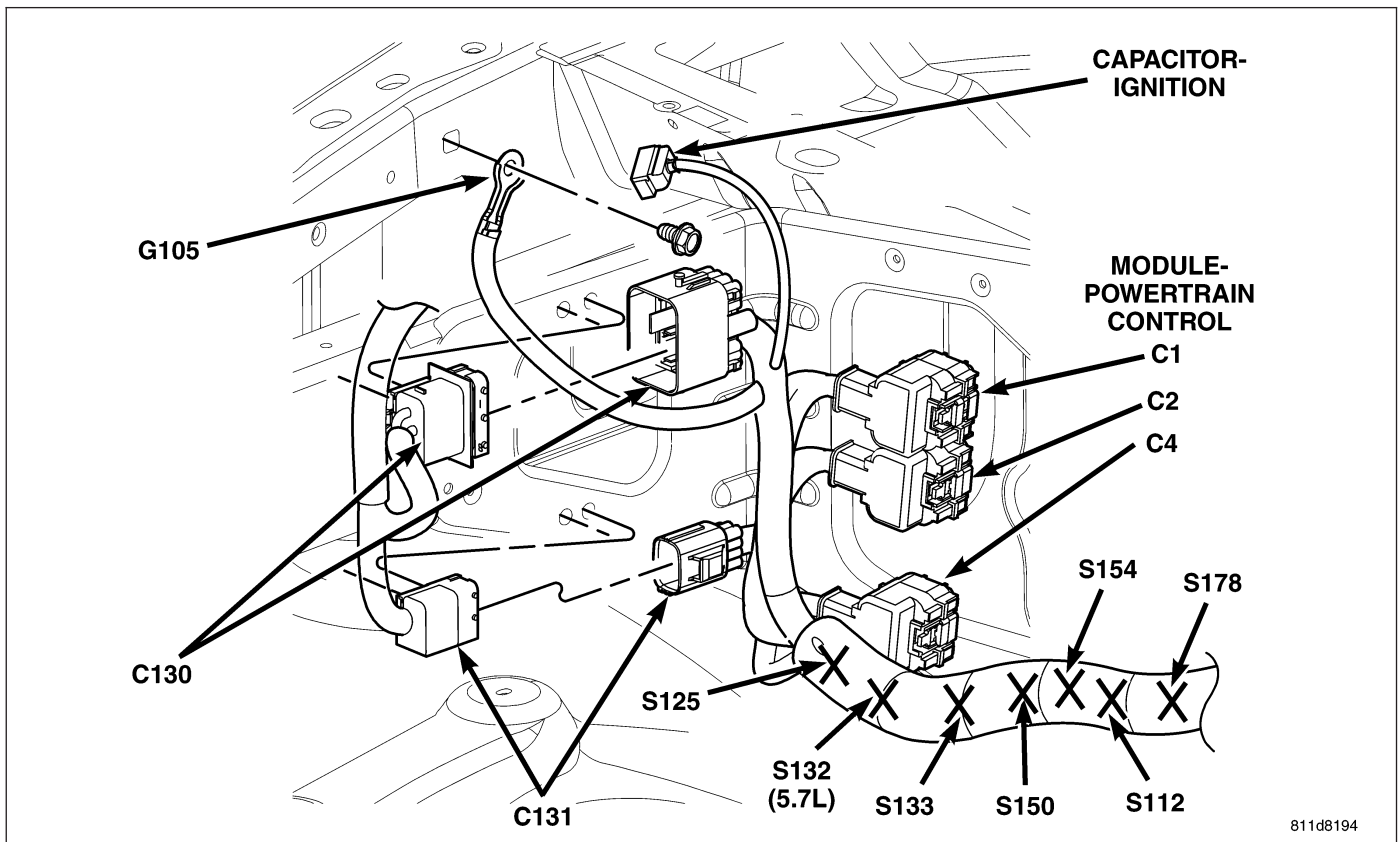


Fig. 6 RIGHT REAR ENGINE COMPARTMENT - NGC

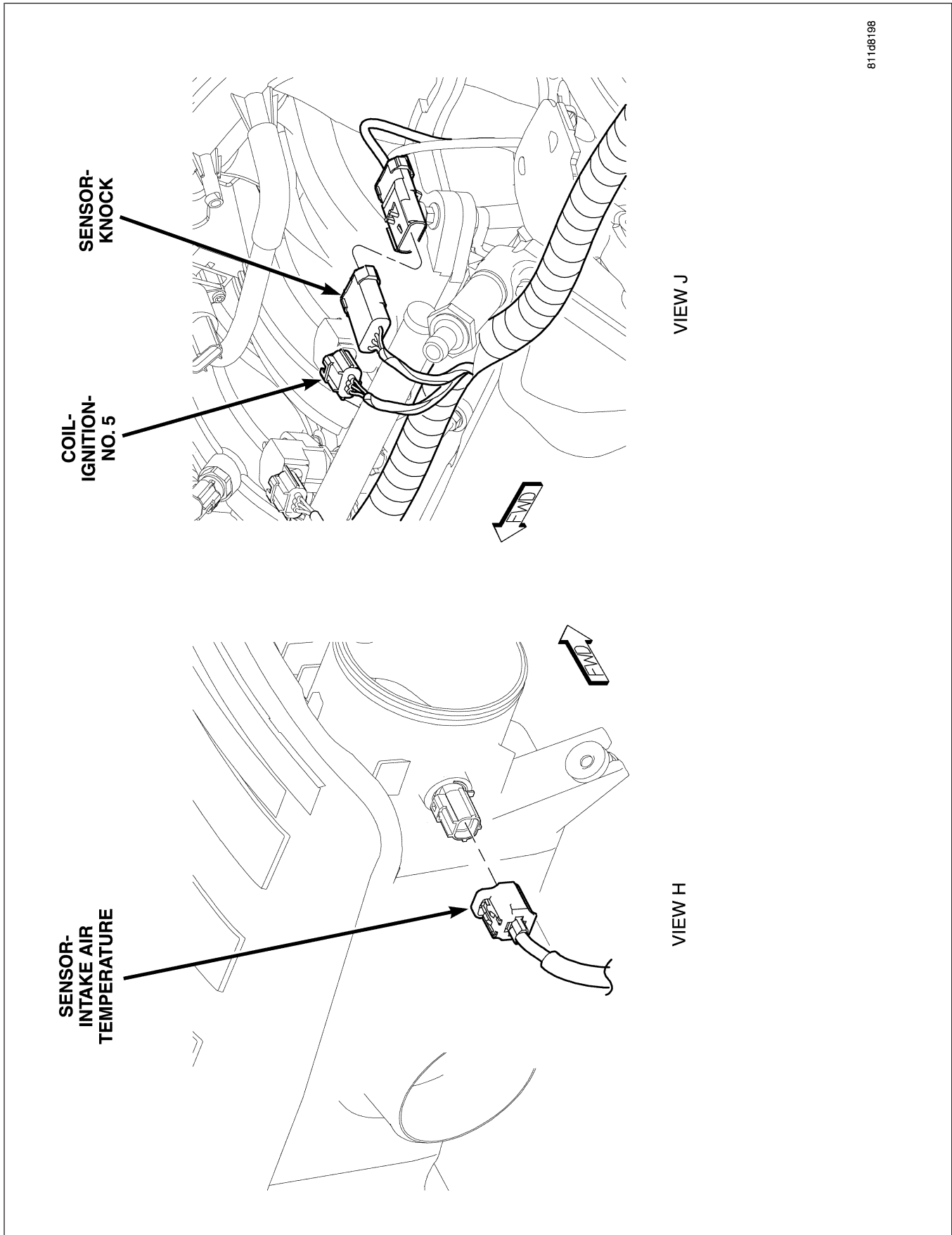


Fig. 7 RIGHT TOP ENGINE (3.7L/4.7L)

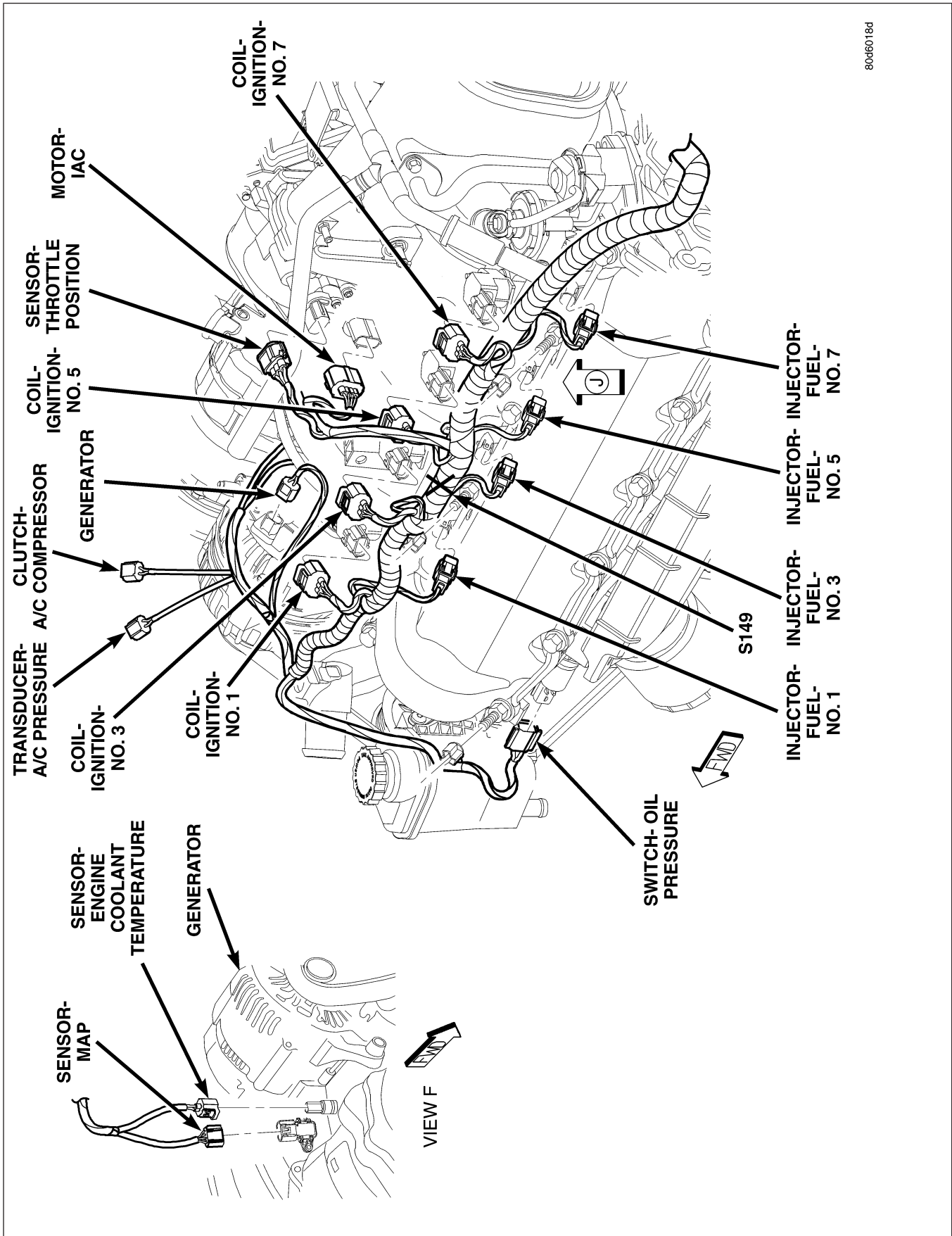


Fig. 8 LEFT SIDE ENGINE (3.7L/4.7L)

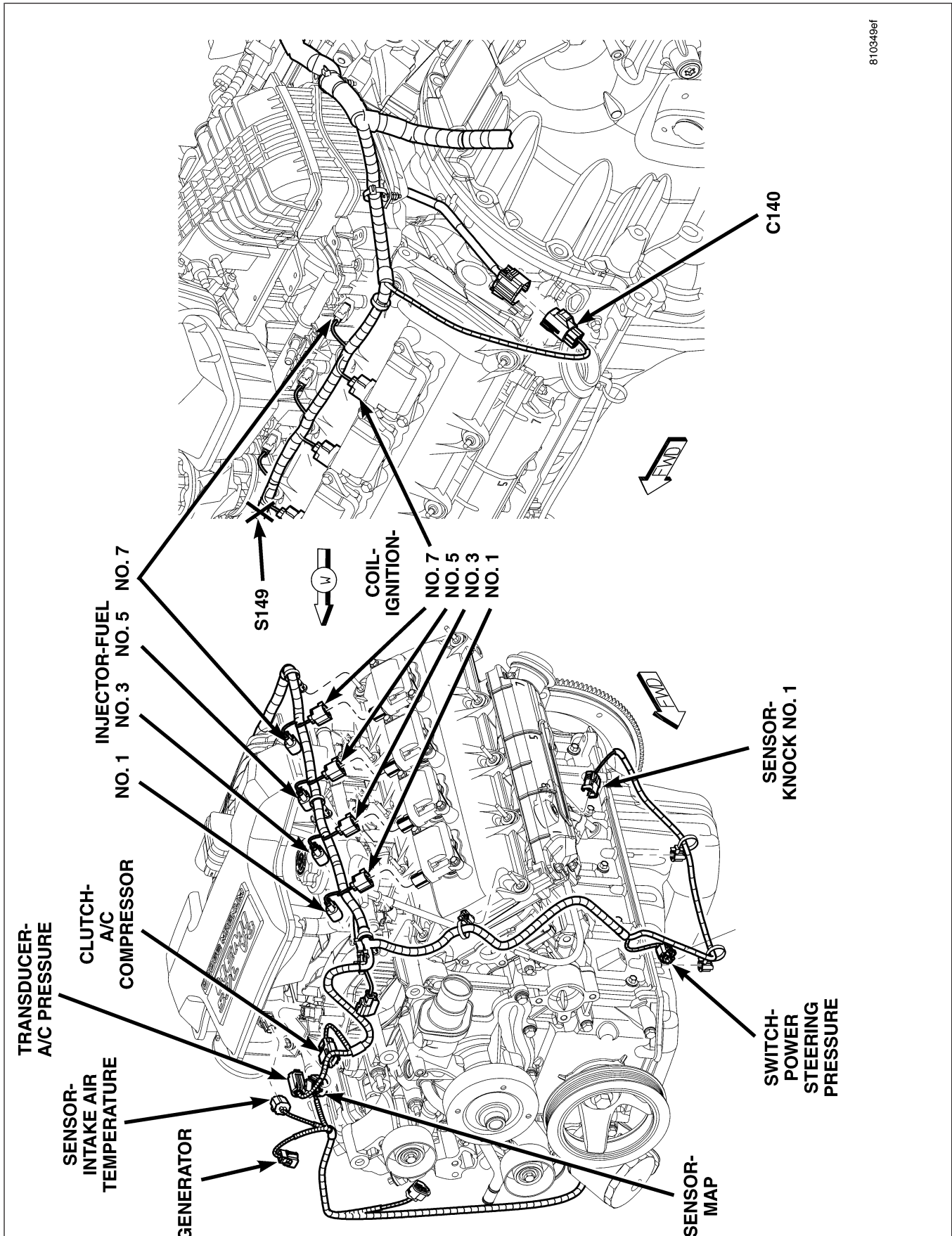
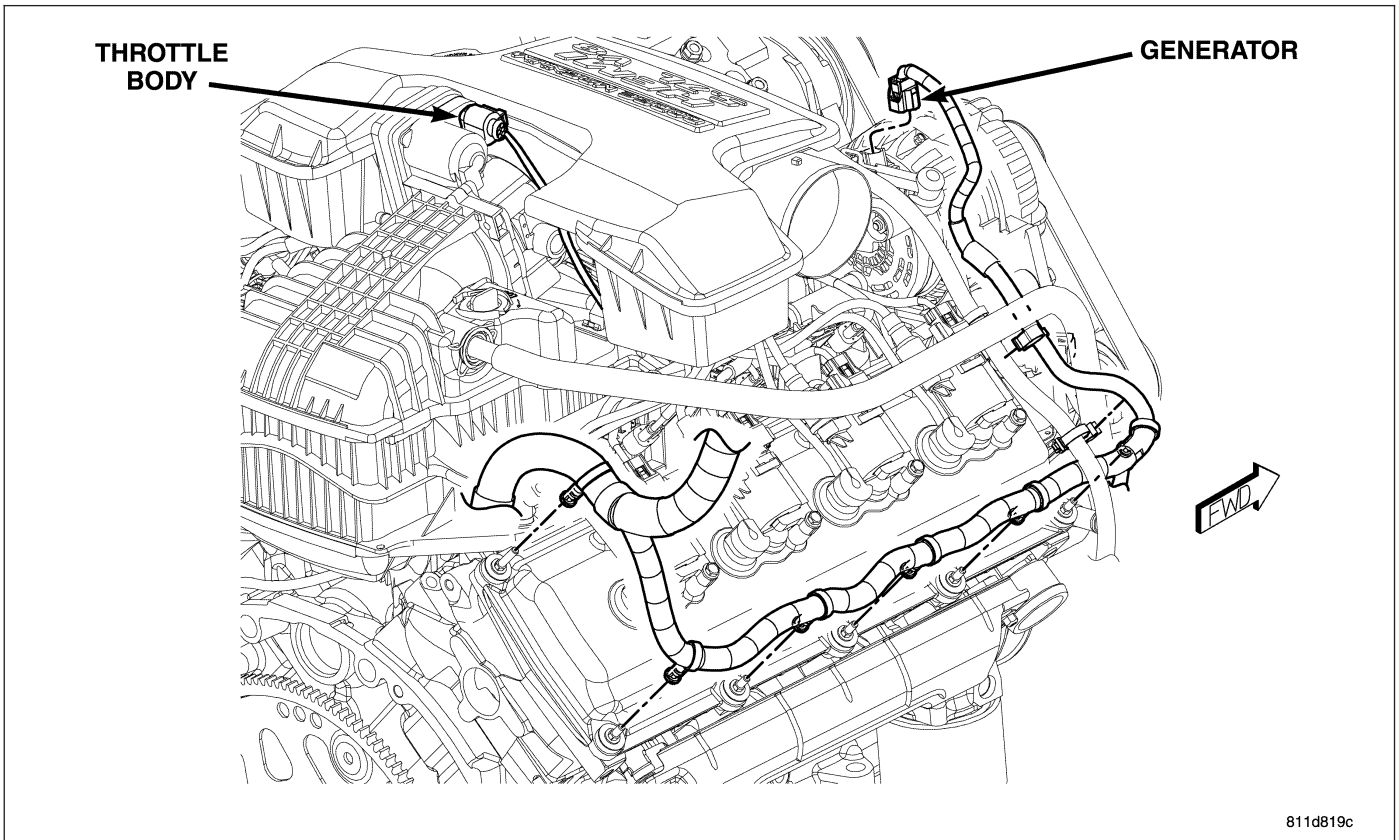


Fig. 9 LEFT SIDE ENGINE (5.7L)



811d819c

Fig. 10 RIGHT REAR ENGINE (5.7L)

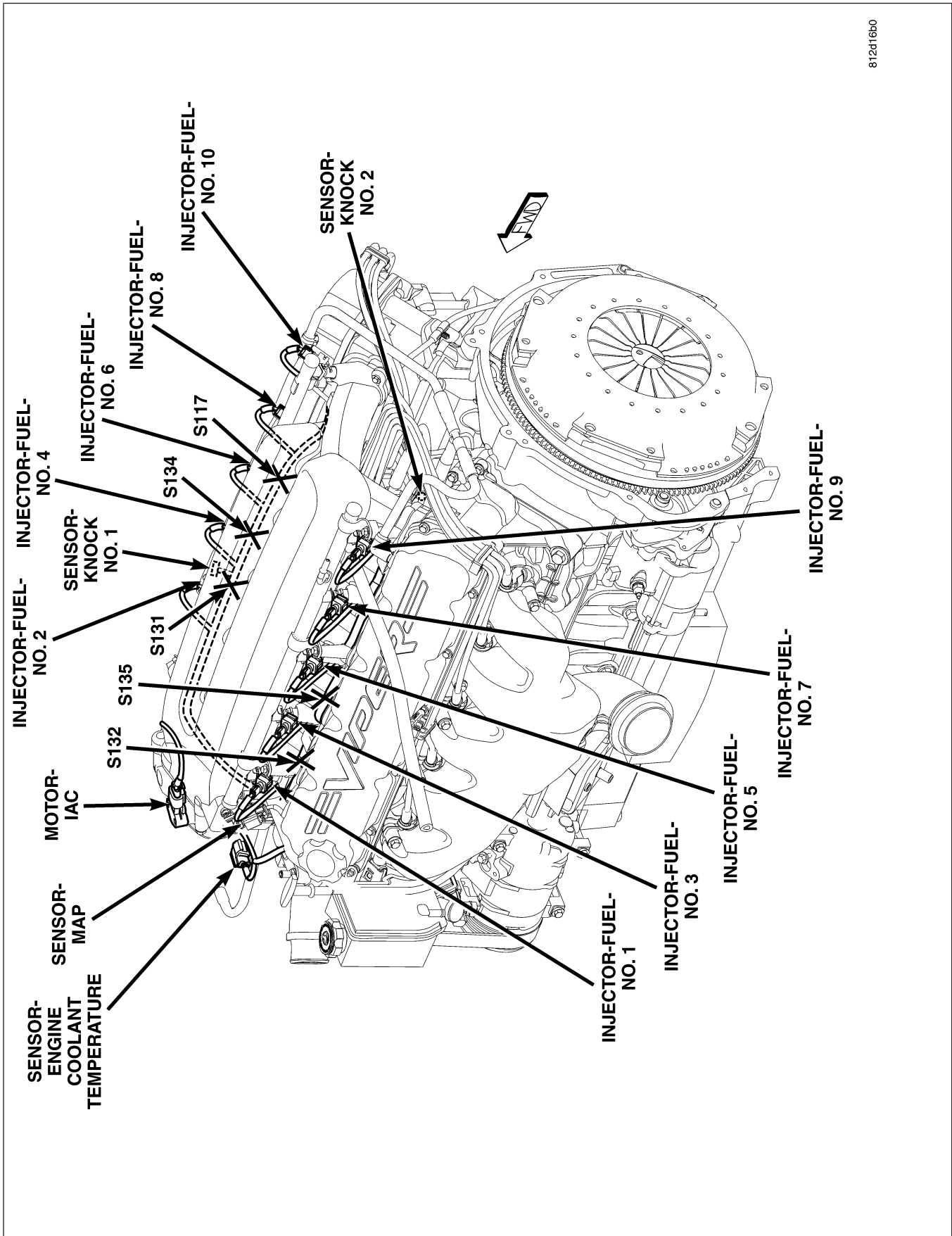
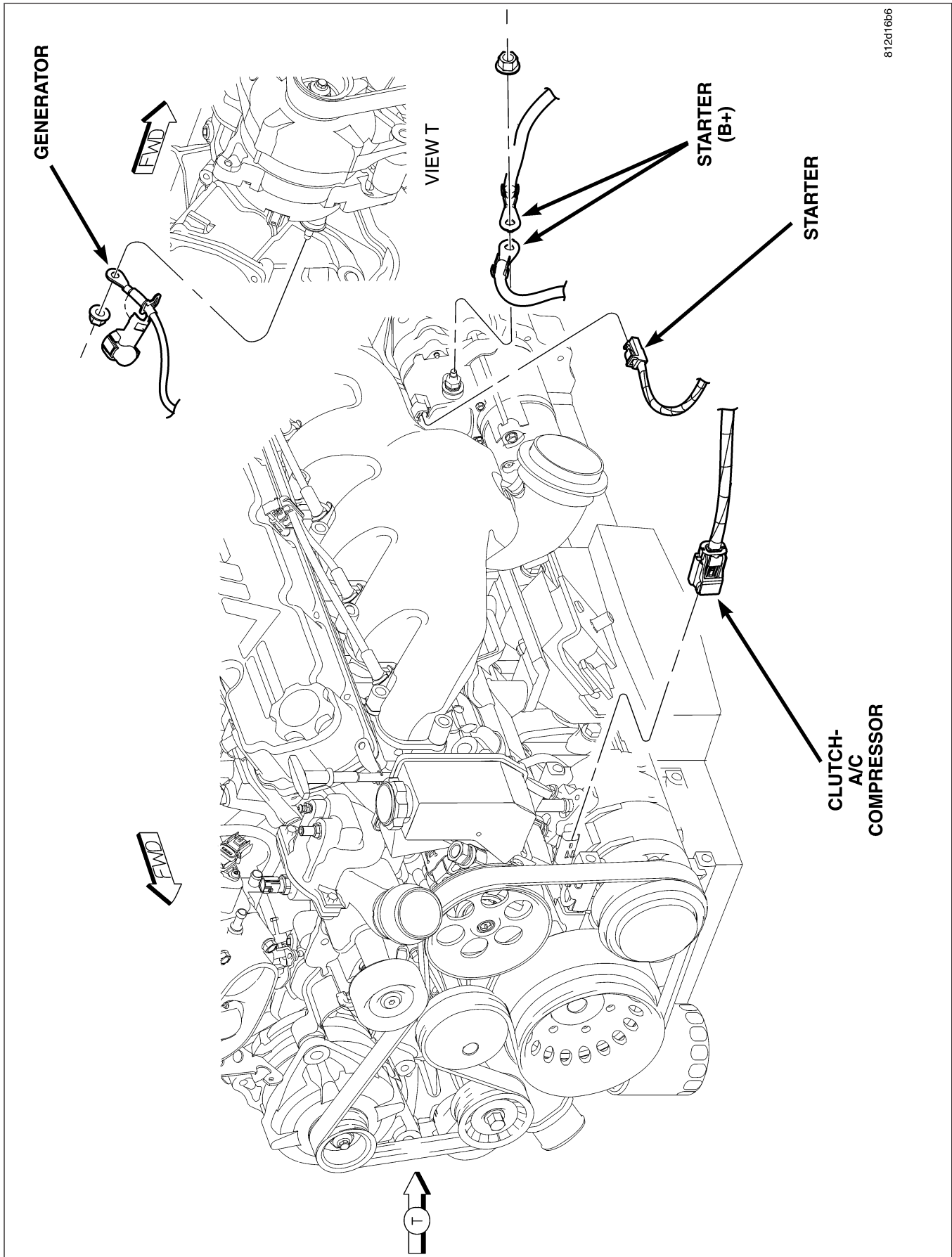


Fig. 12 LEFT REAR ENGINE (SRT)



812d1666

Fig. 13 FRONT ENGINE (SRT)

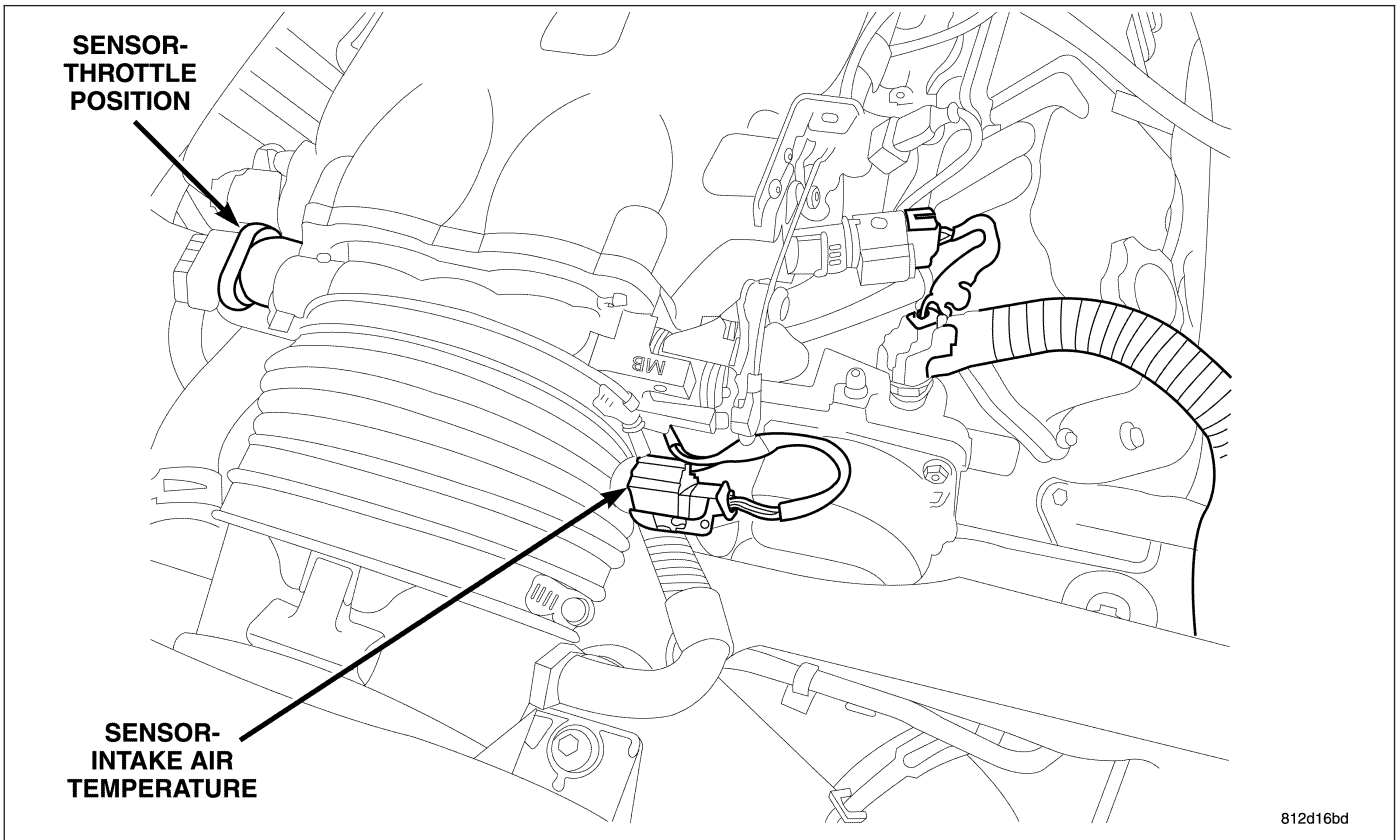


Fig. 14 LEFT FRONT ENGINE (SRT)

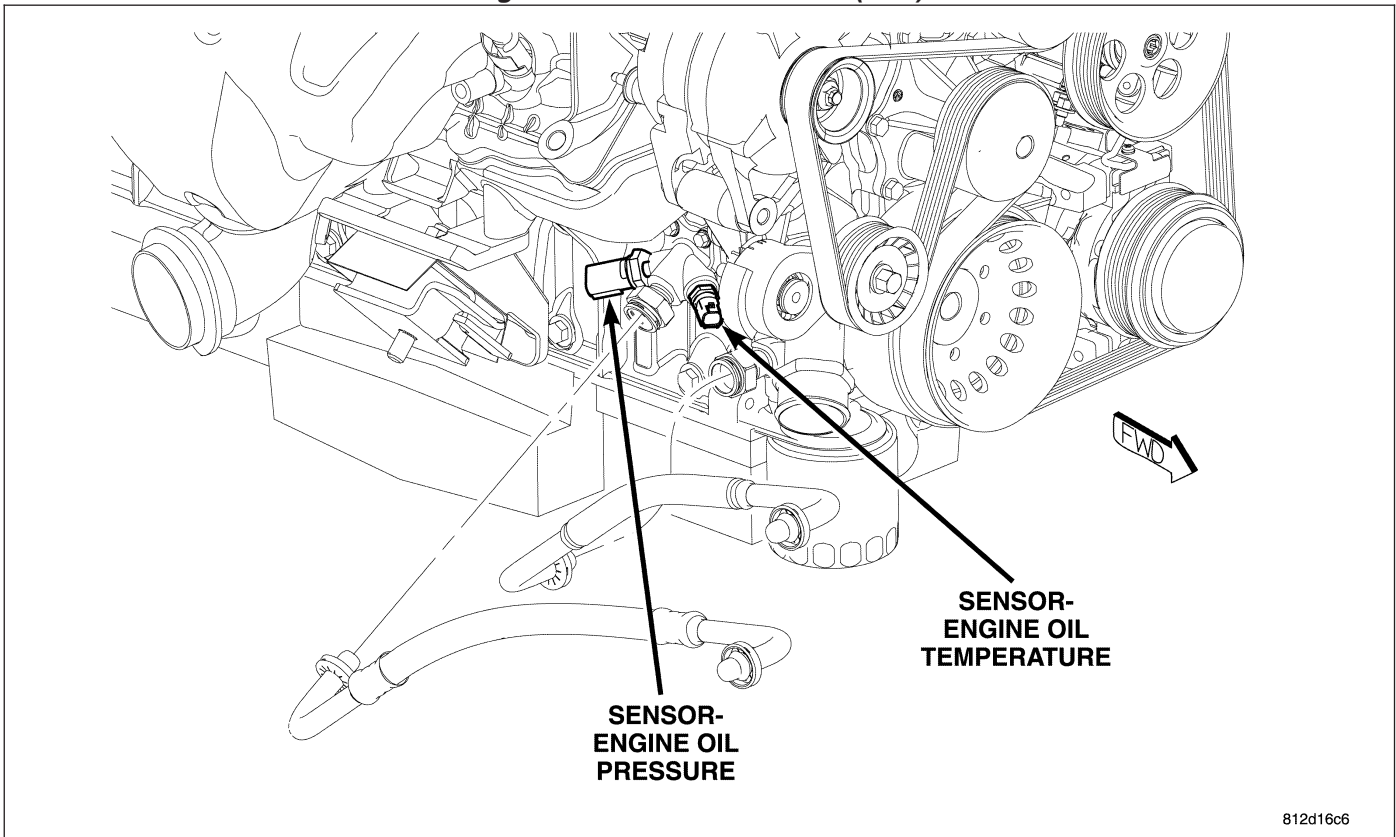


Fig. 15 RIGHT FRONT ENGINE (SRT)

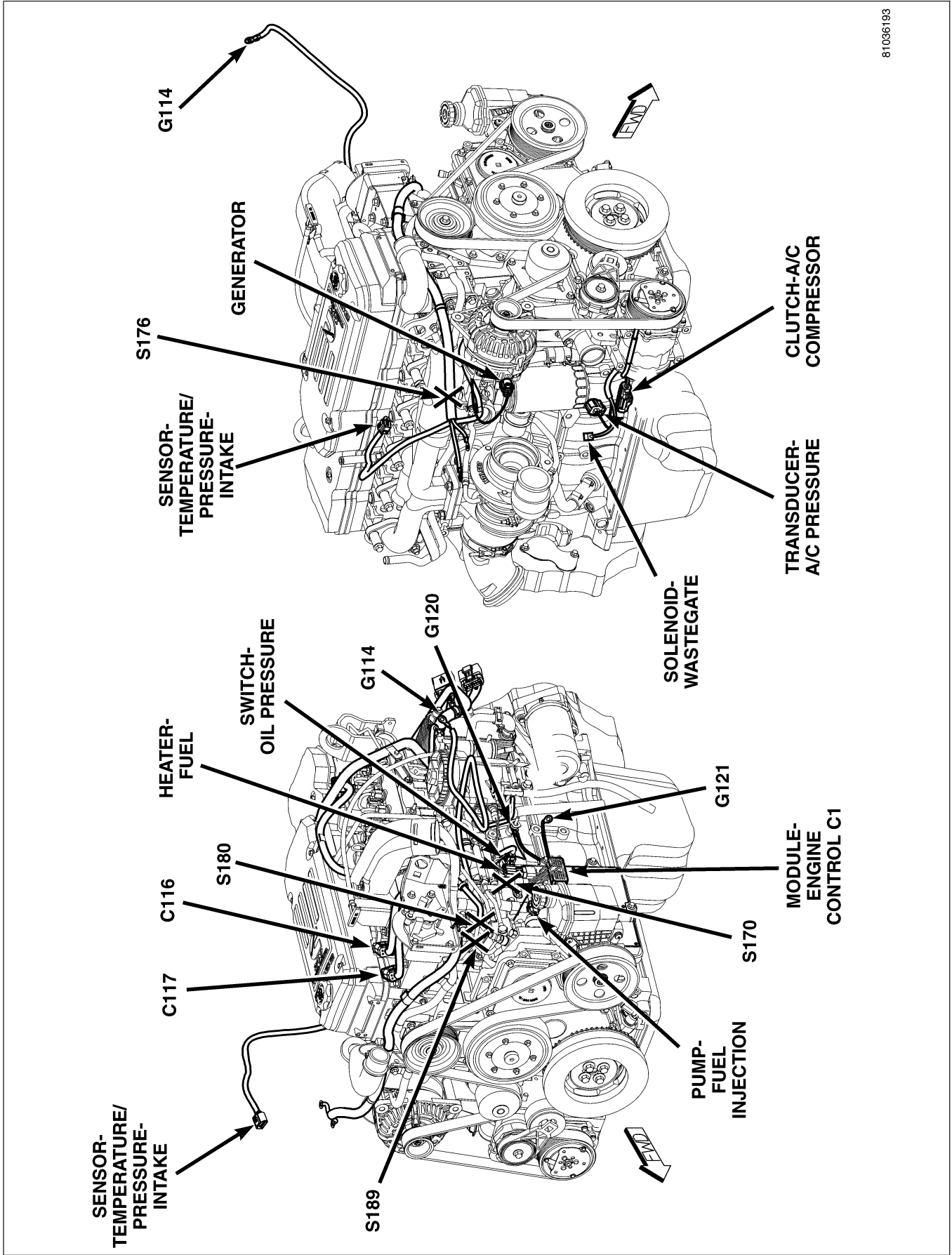
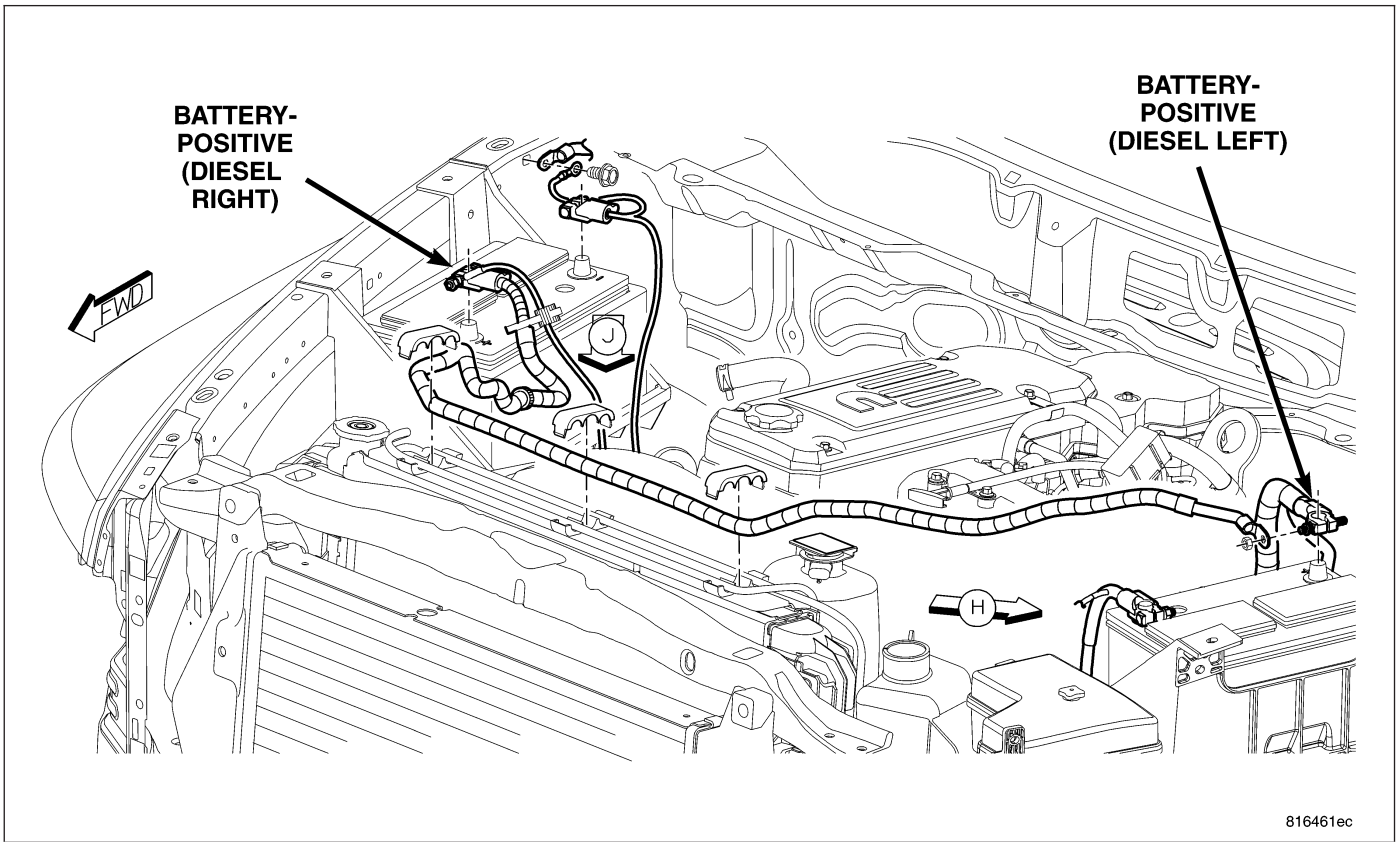


Fig. 16 ENGINE (DIESEL)



816461ec

Fig. 17 DIESEL BATTERIES

812d16ca

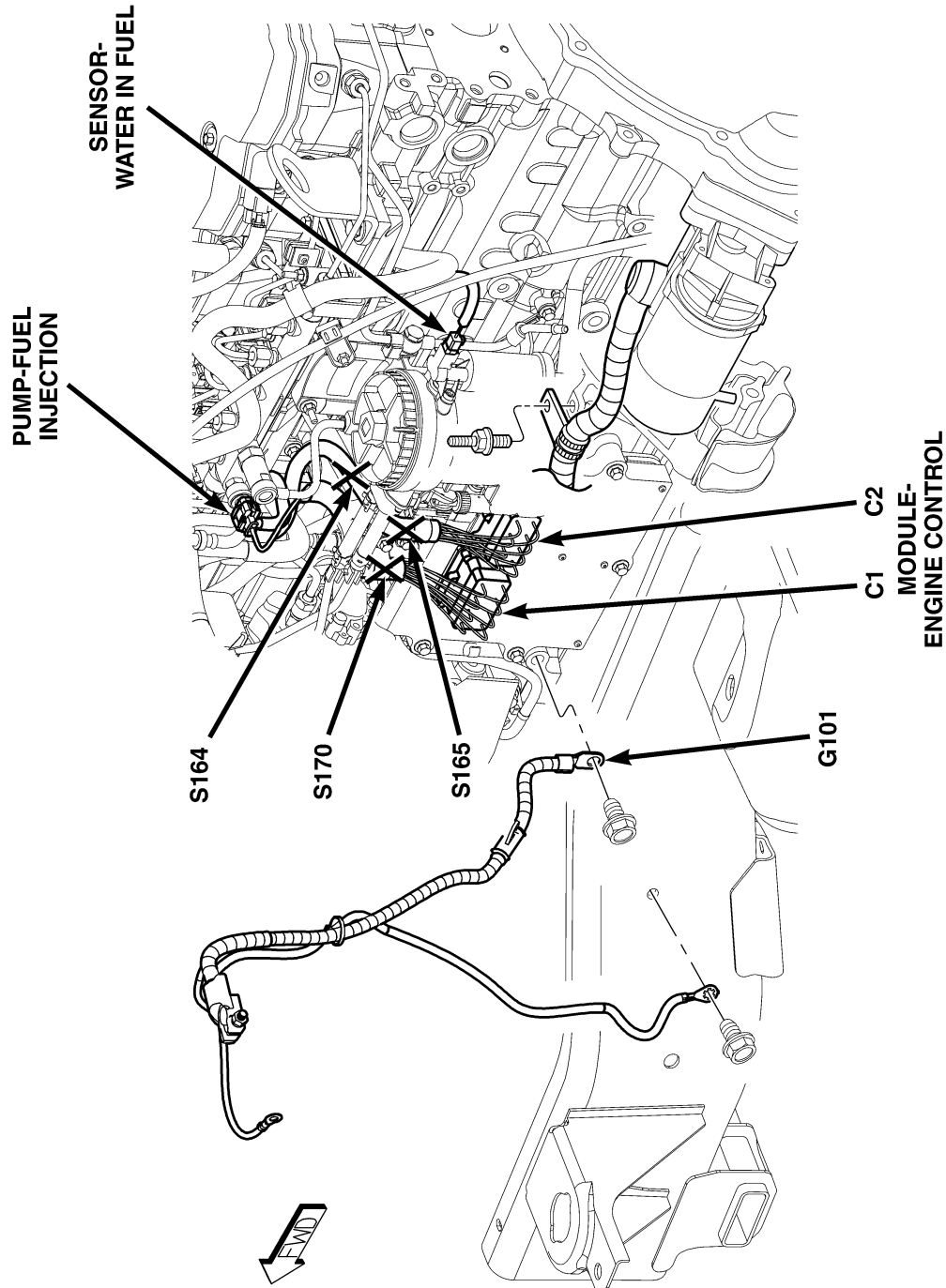


Fig. 18 LEFT SIDE ENGINE (DIESEL)

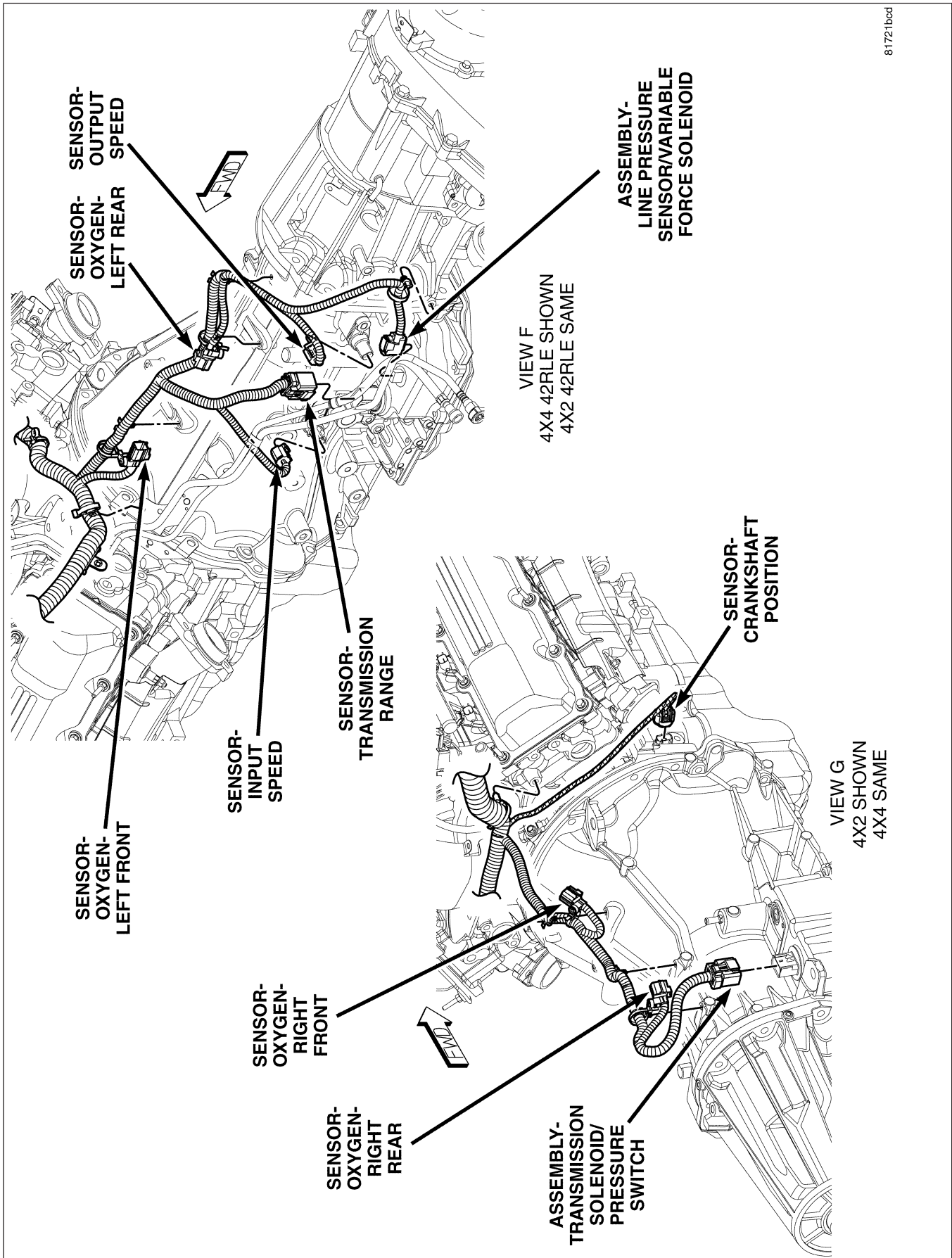


Fig. 19 AUTOMATIC TRANSMISSION (3.7L)

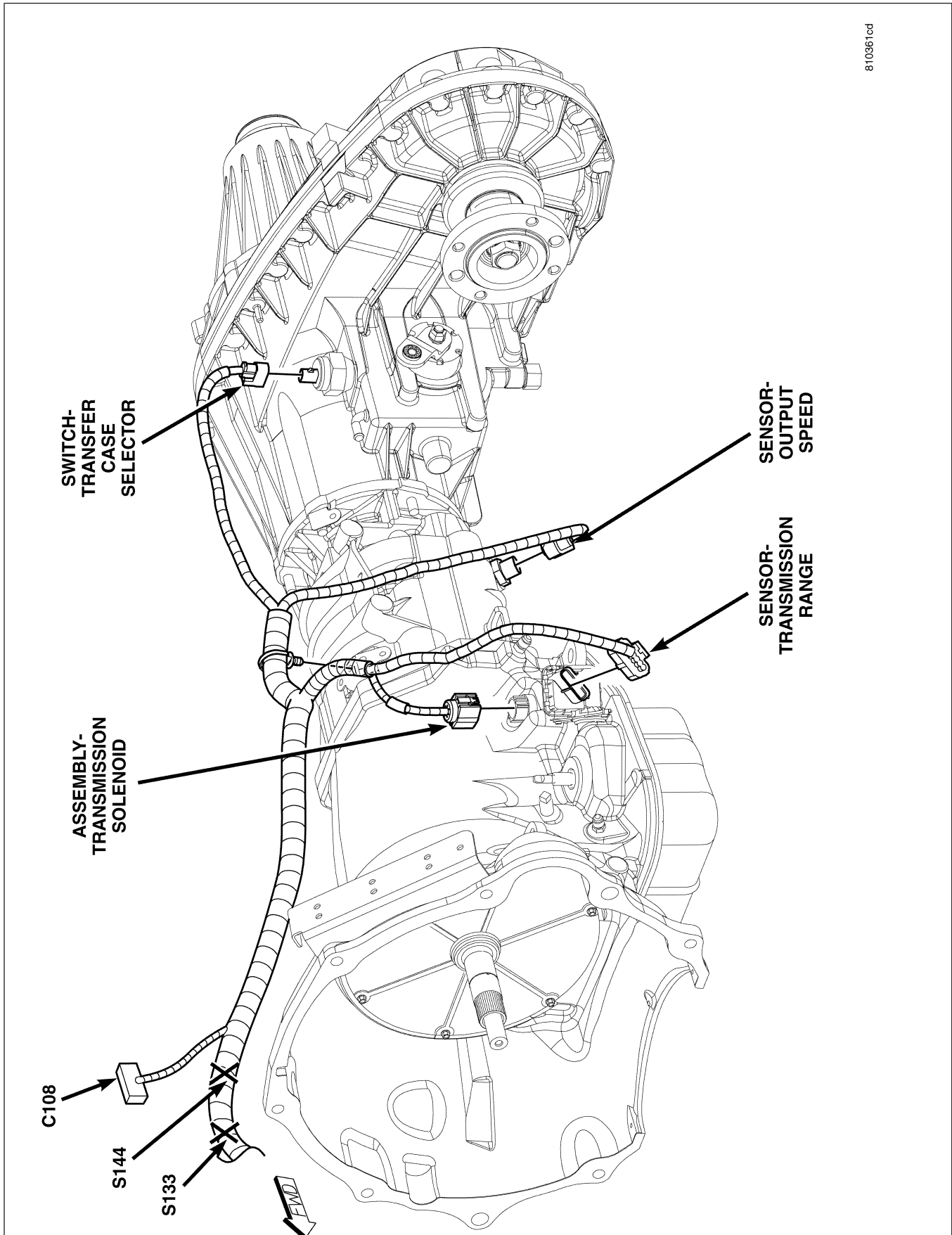
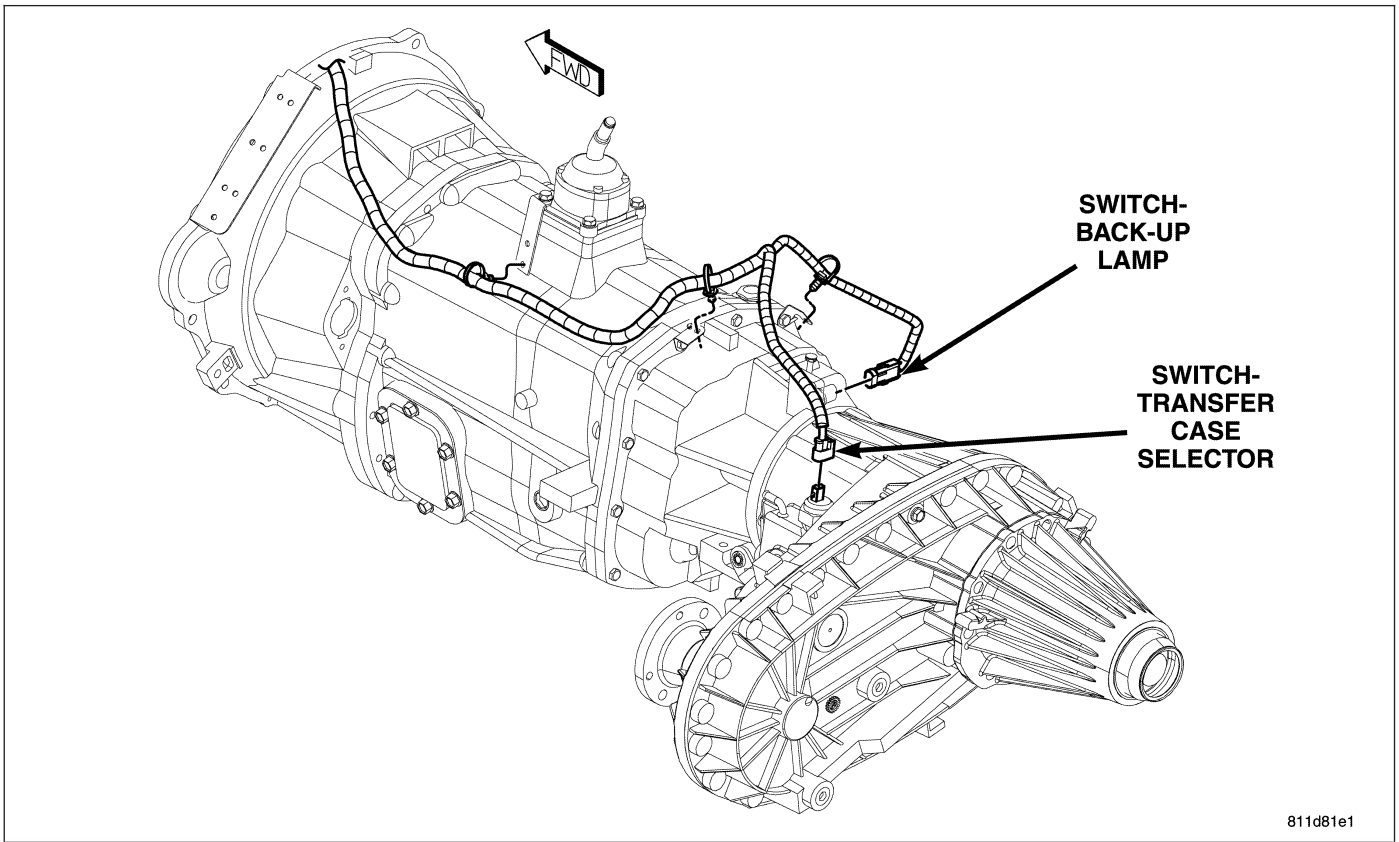
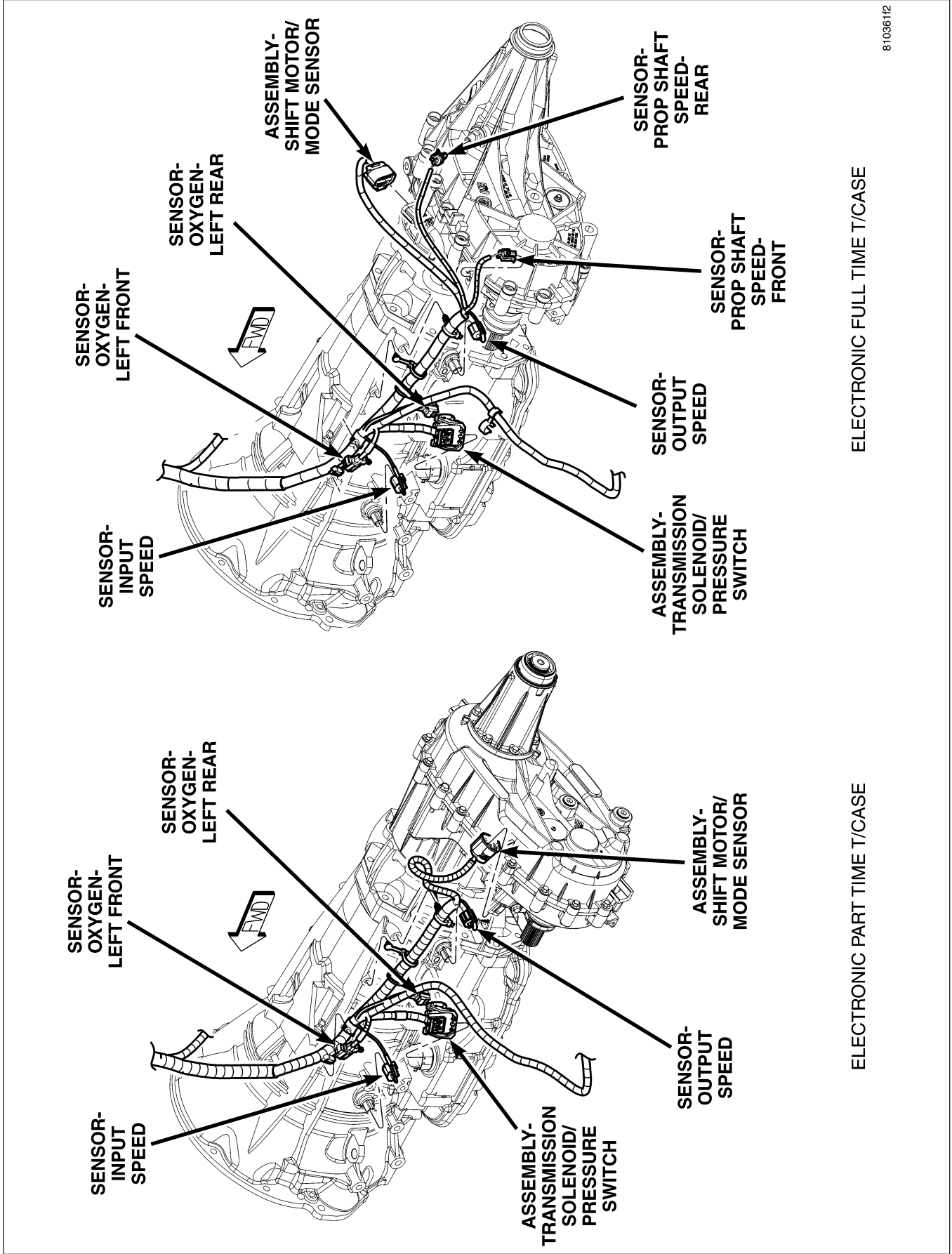


Fig. 20 AUTOMATIC TRANSMISSION (DIESEL)



811d81e1

Fig. 21 MANUAL TRANSMISSION (DIESEL)



81036112

ELECTRONIC FULL TIME T/CASE

ELECTRONIC PART TIME T/CASE

Fig. 22 LEFT TRANSMISSION (RFE)

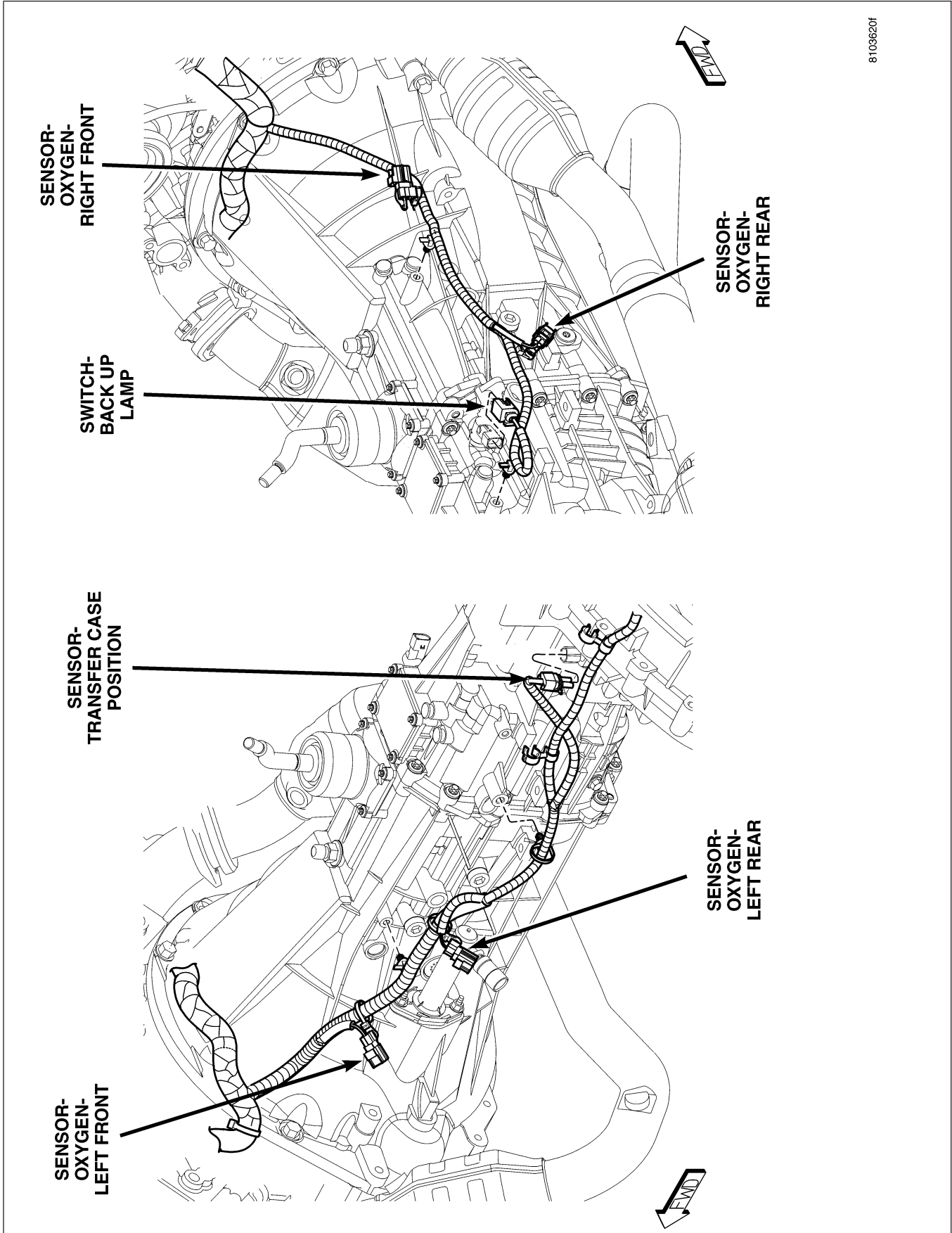


Fig. 23 MANUAL TRANSMISSION (4X4) (3.7L/4.7L)

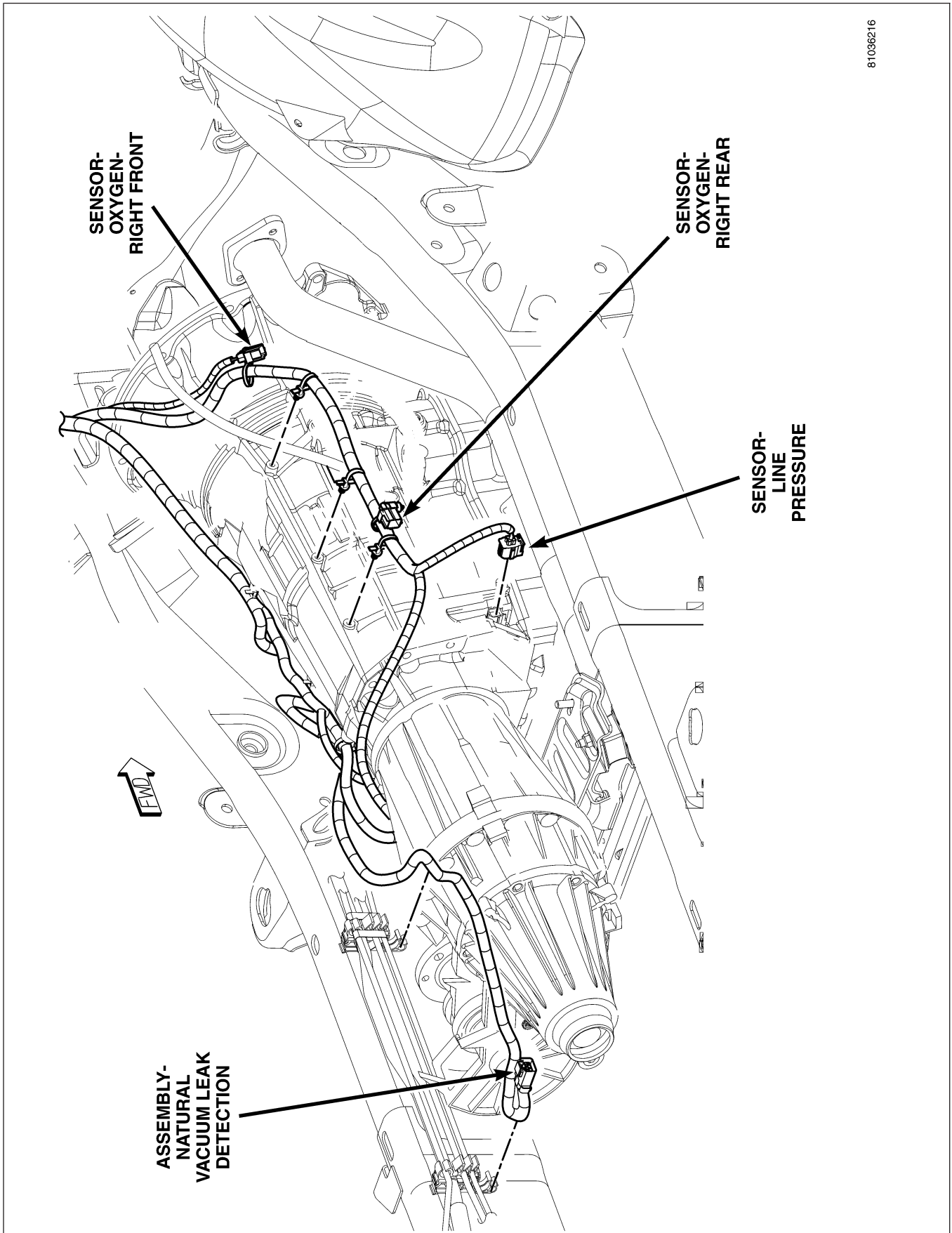


Fig. 24 RIGHT TRANSMISSION (RFE)

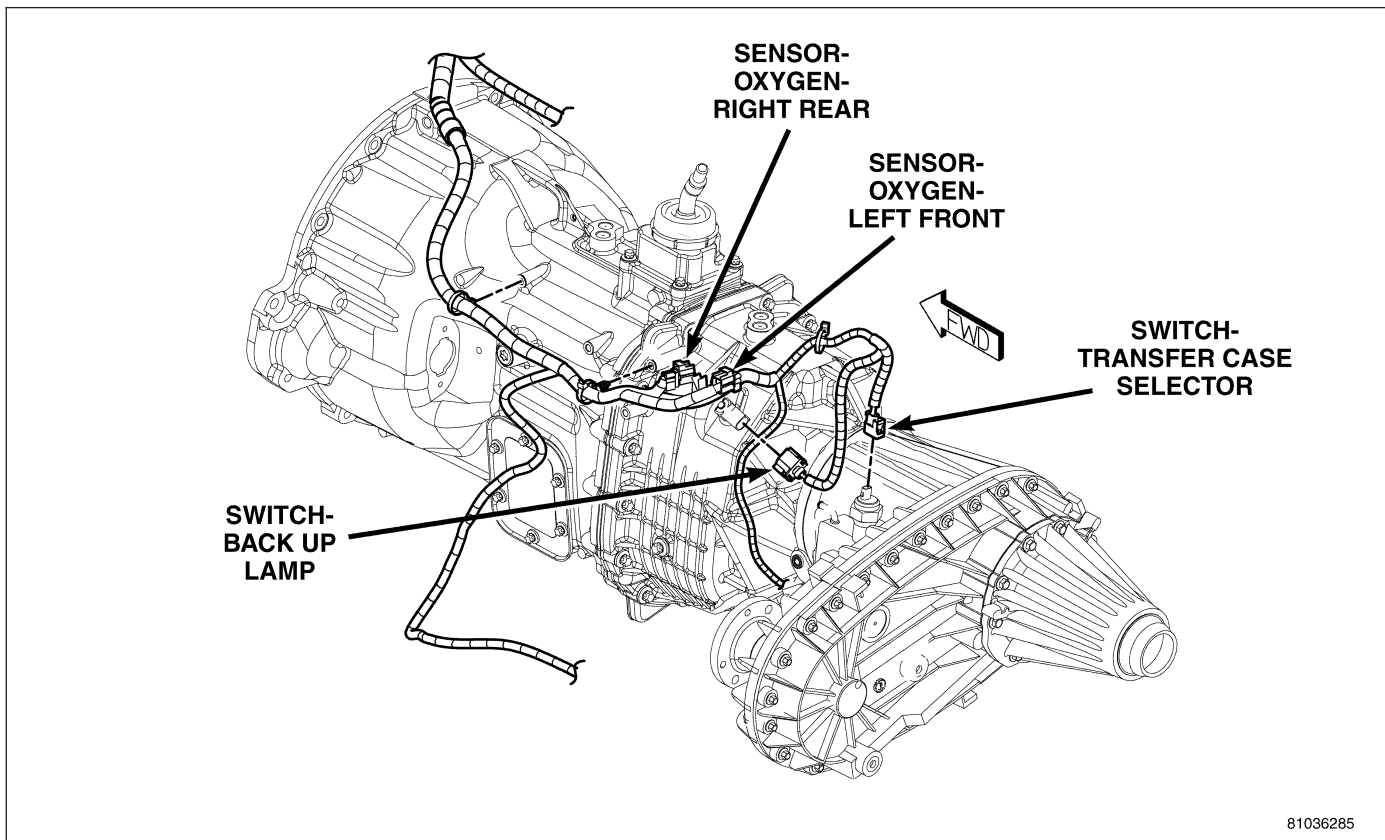


Fig. 25 MANUAL TRANSMISSION - 5.7L/DIESEL (EXCEPT ETC)

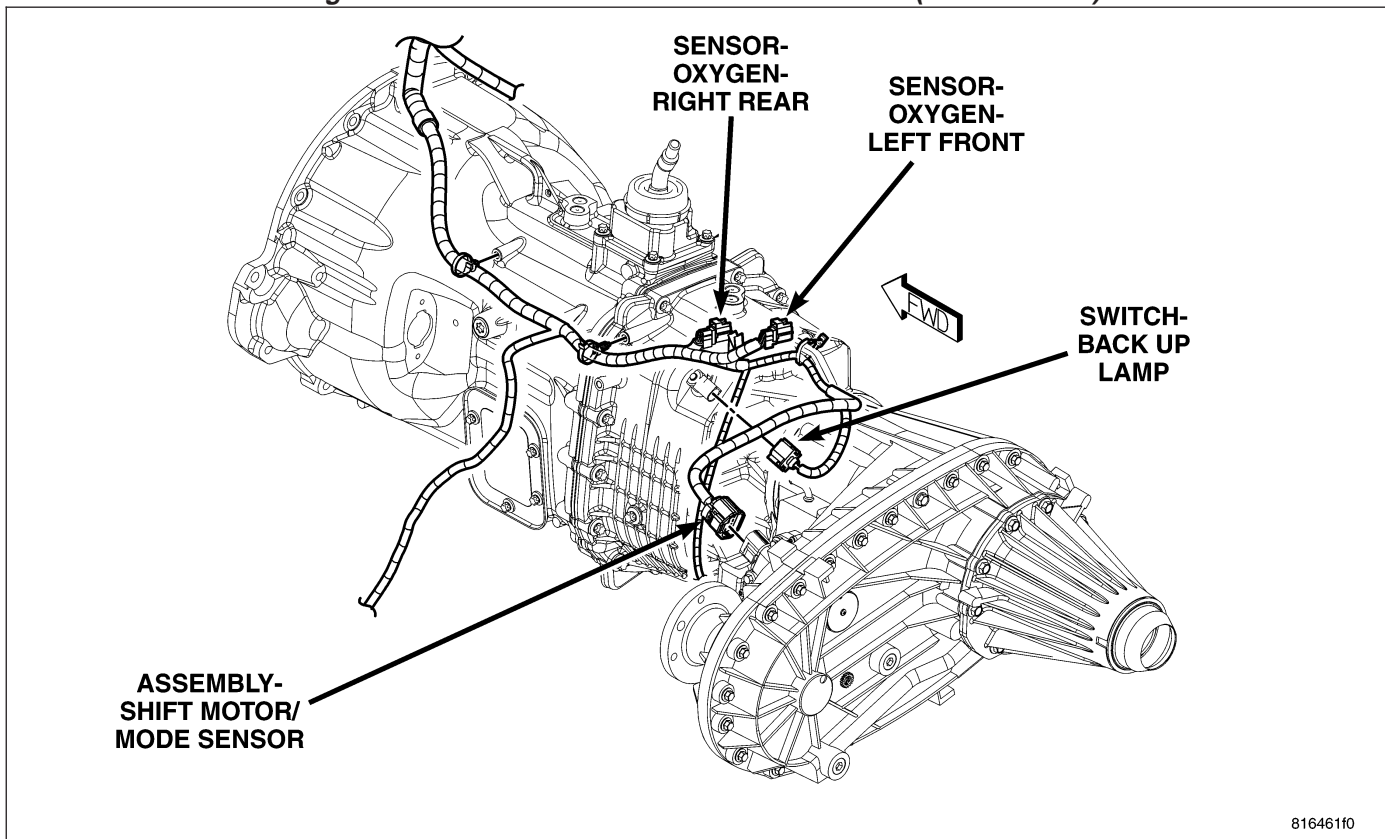


Fig. 26 MANUAL TRANSMISSION (5.7L/DIESEL) (ETC)

812d16d3

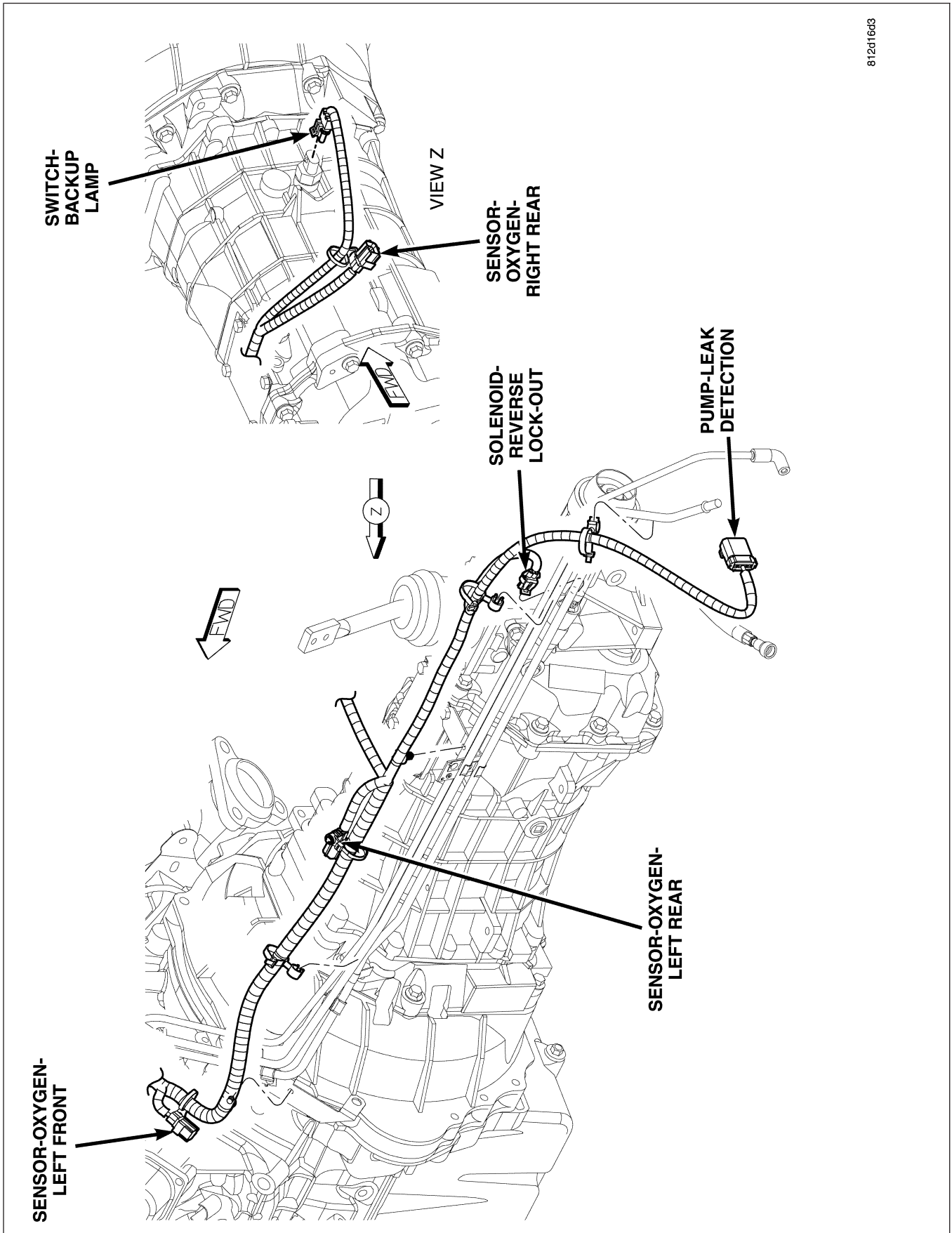


Fig. 27 MANUAL TRANSMISSION (SRT)

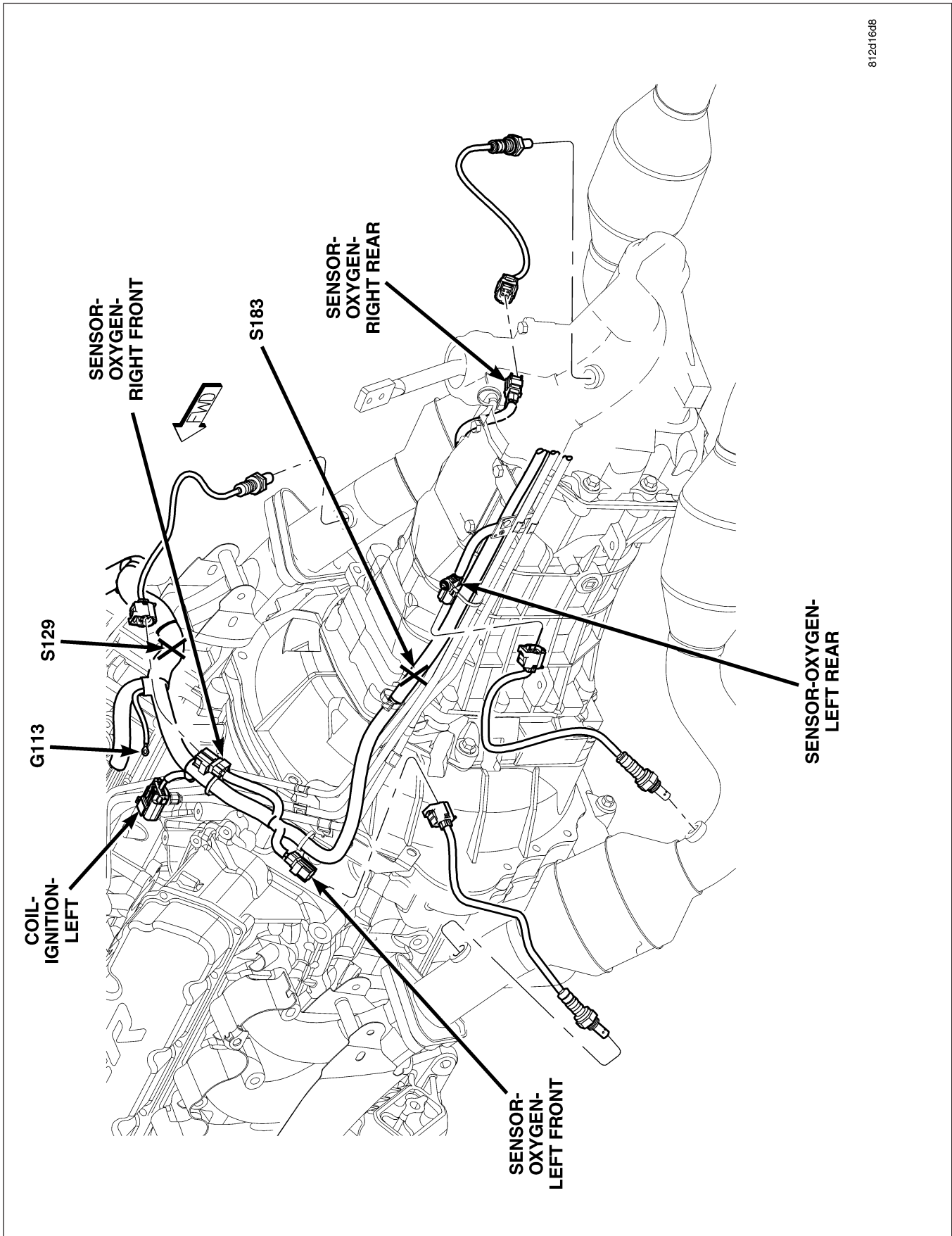


Fig. 28 TRANSMISSION AND EXHAUST (SRT)

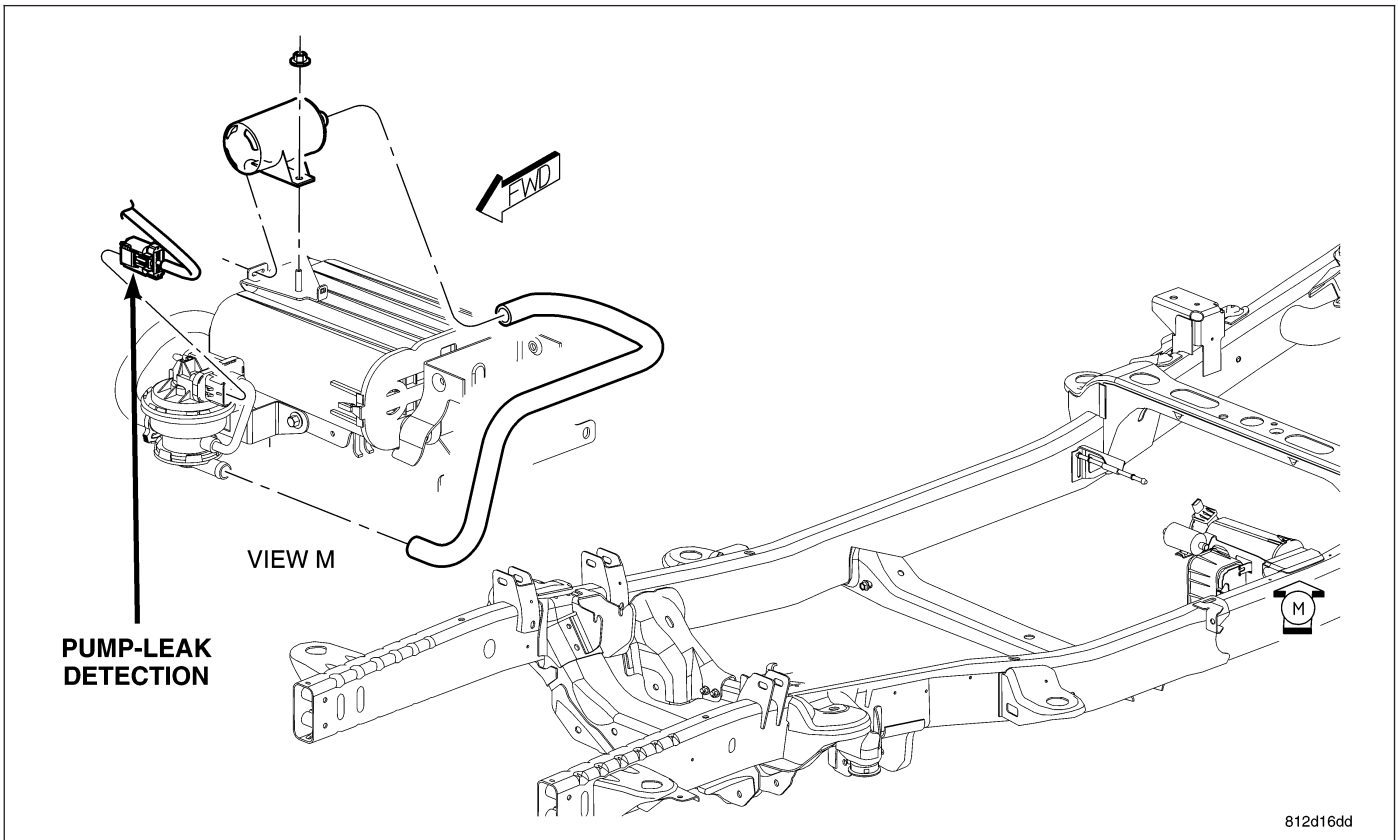


Fig. 29 LEFT SIDE FRAME (SRT)

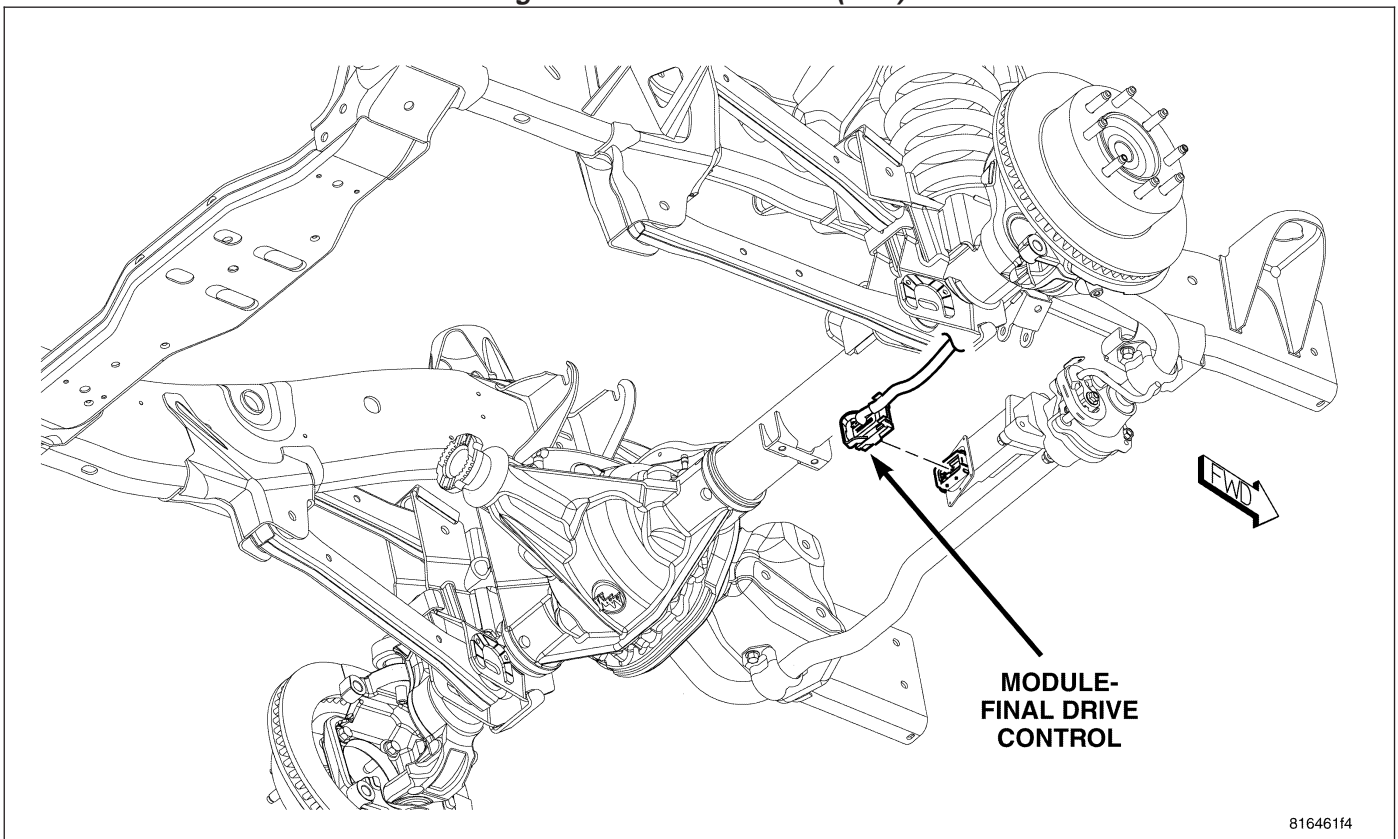


Fig. 30 FRONT STABILIZER BAR (POWER WAGON)

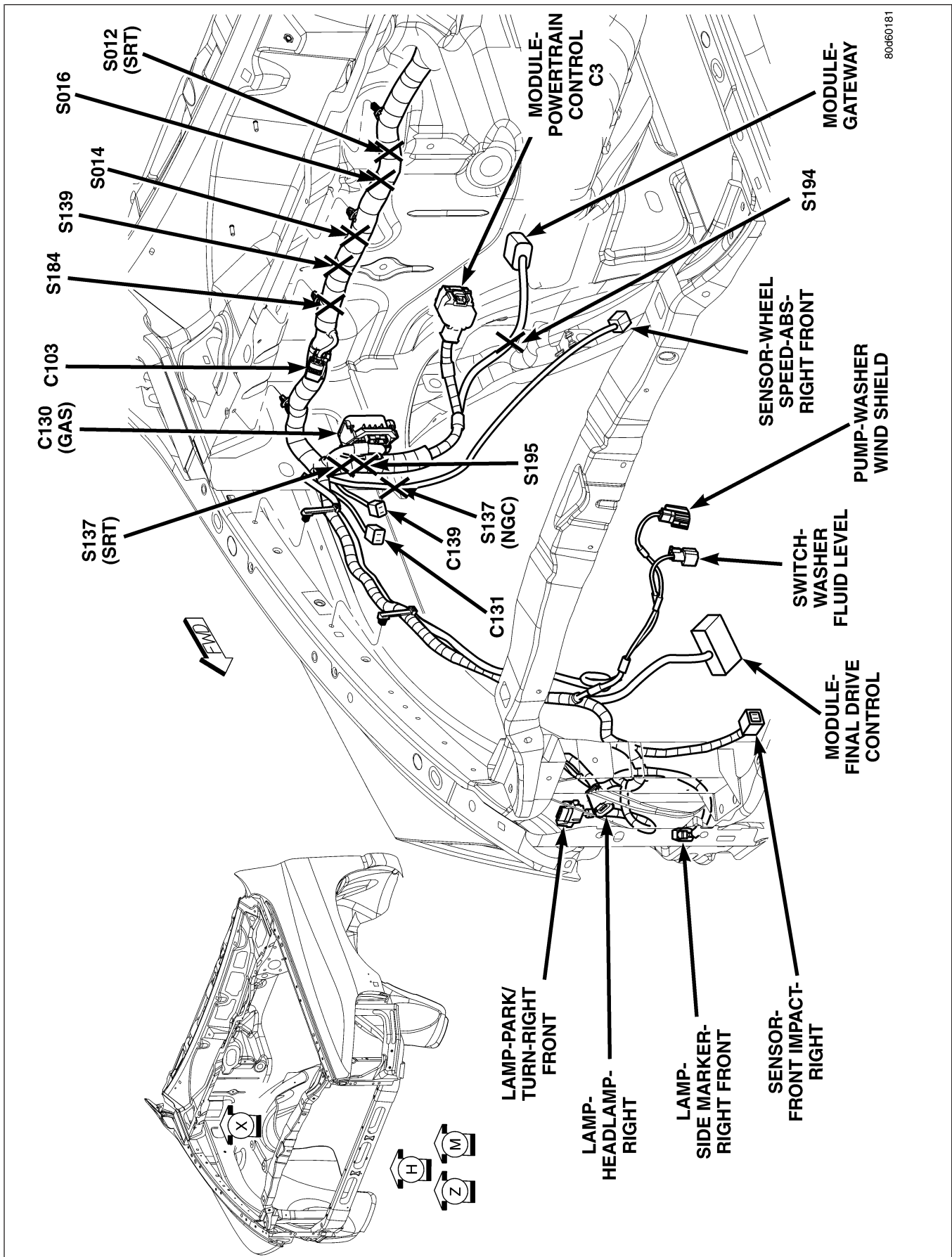


Fig. 31 RIGHT SIDE ENGINE COMPARTMENT

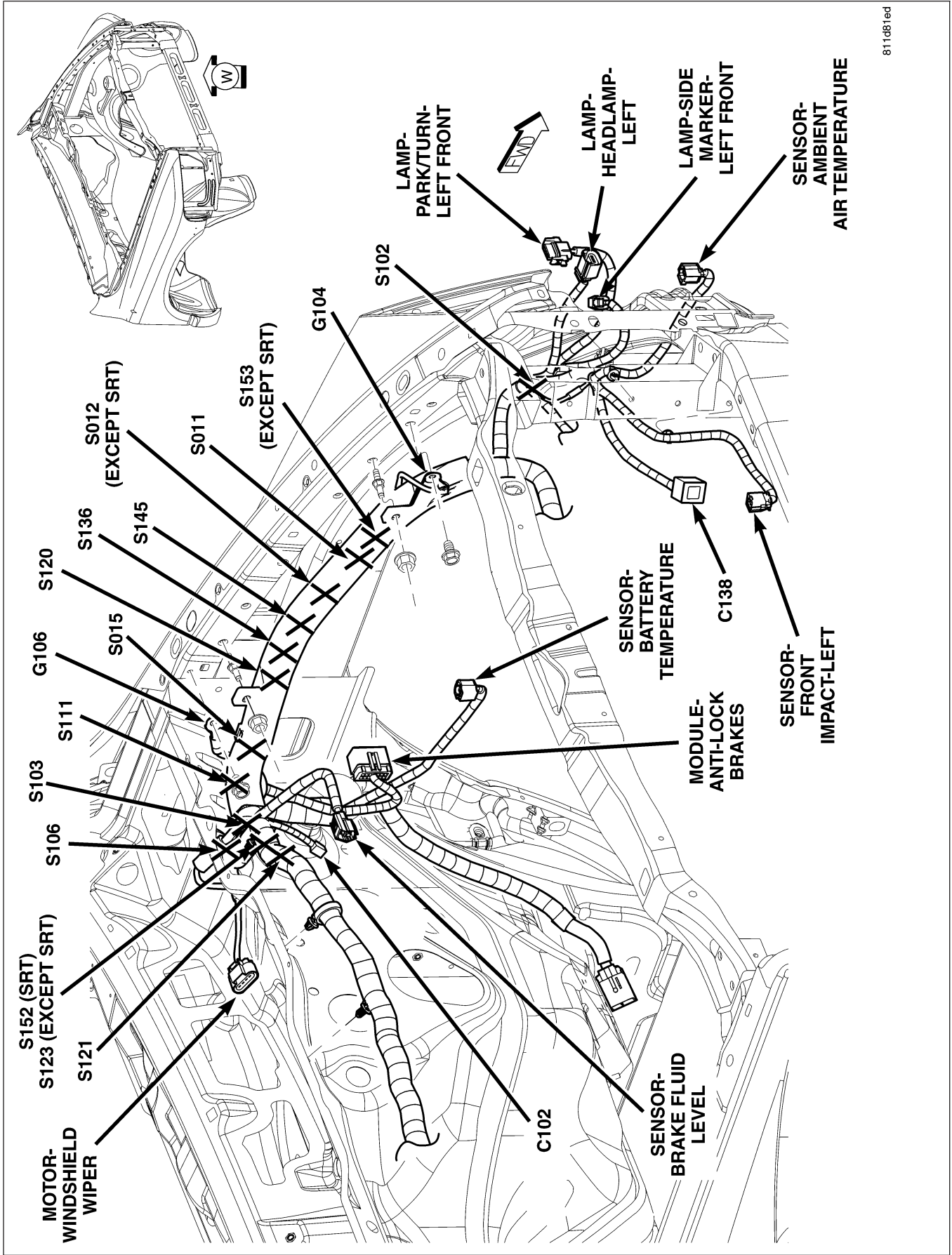
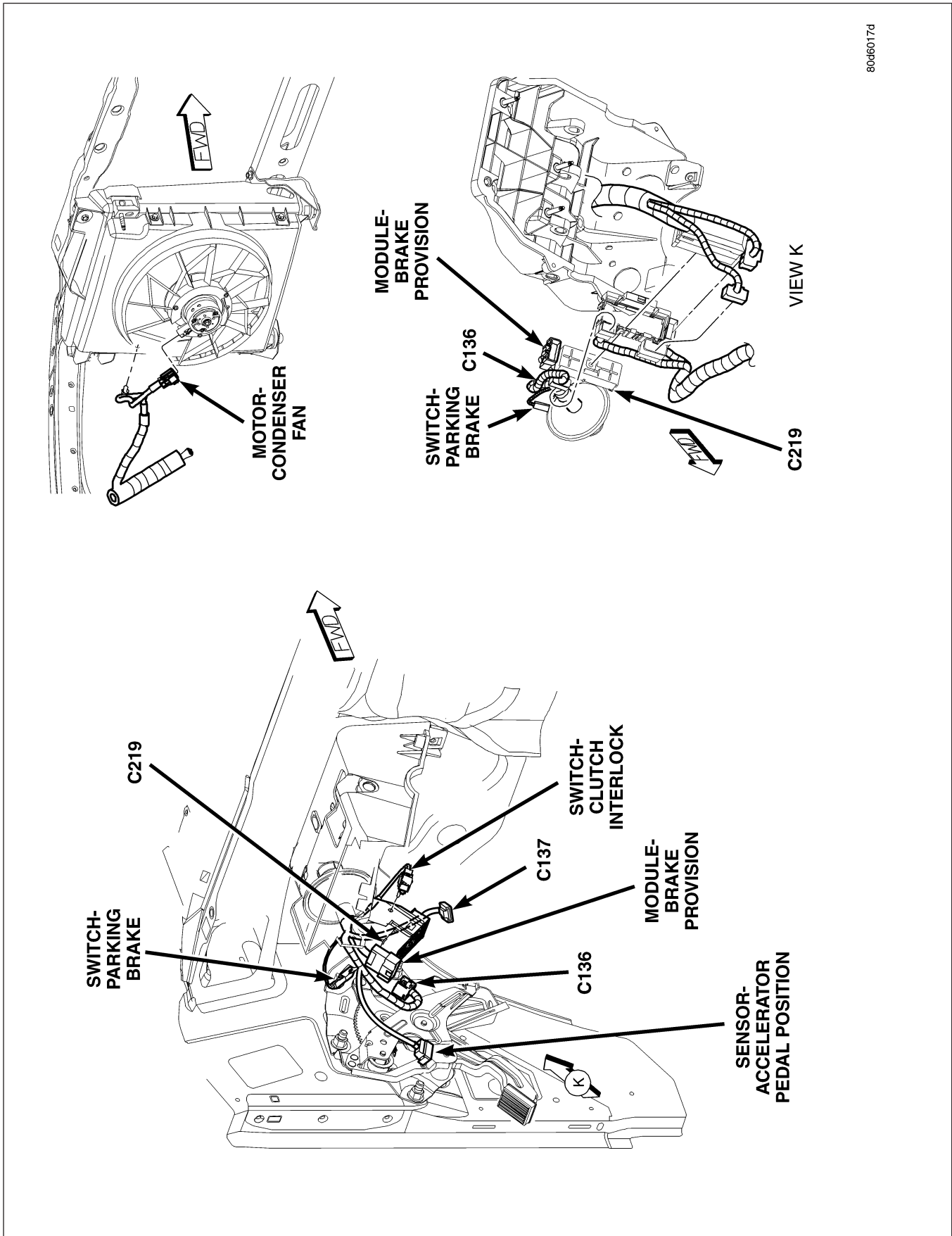


Fig. 32 LEFT ENGINE COMPARTMENT



80d6017d

Fig. 33 ENGINE COMPARTMENT

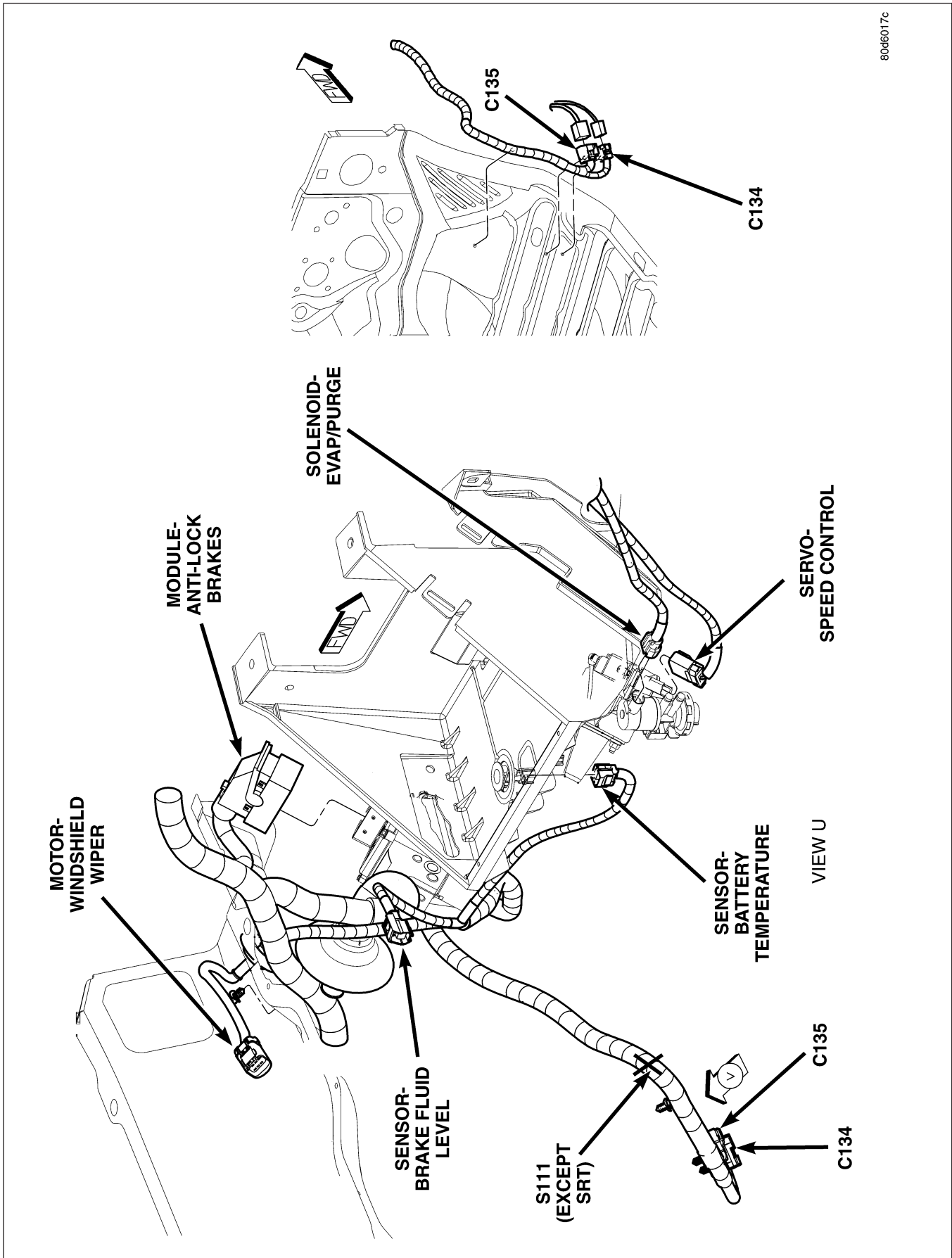


Fig. 34 LEFT SIDE ENGINE COMPARTMENT

8103621

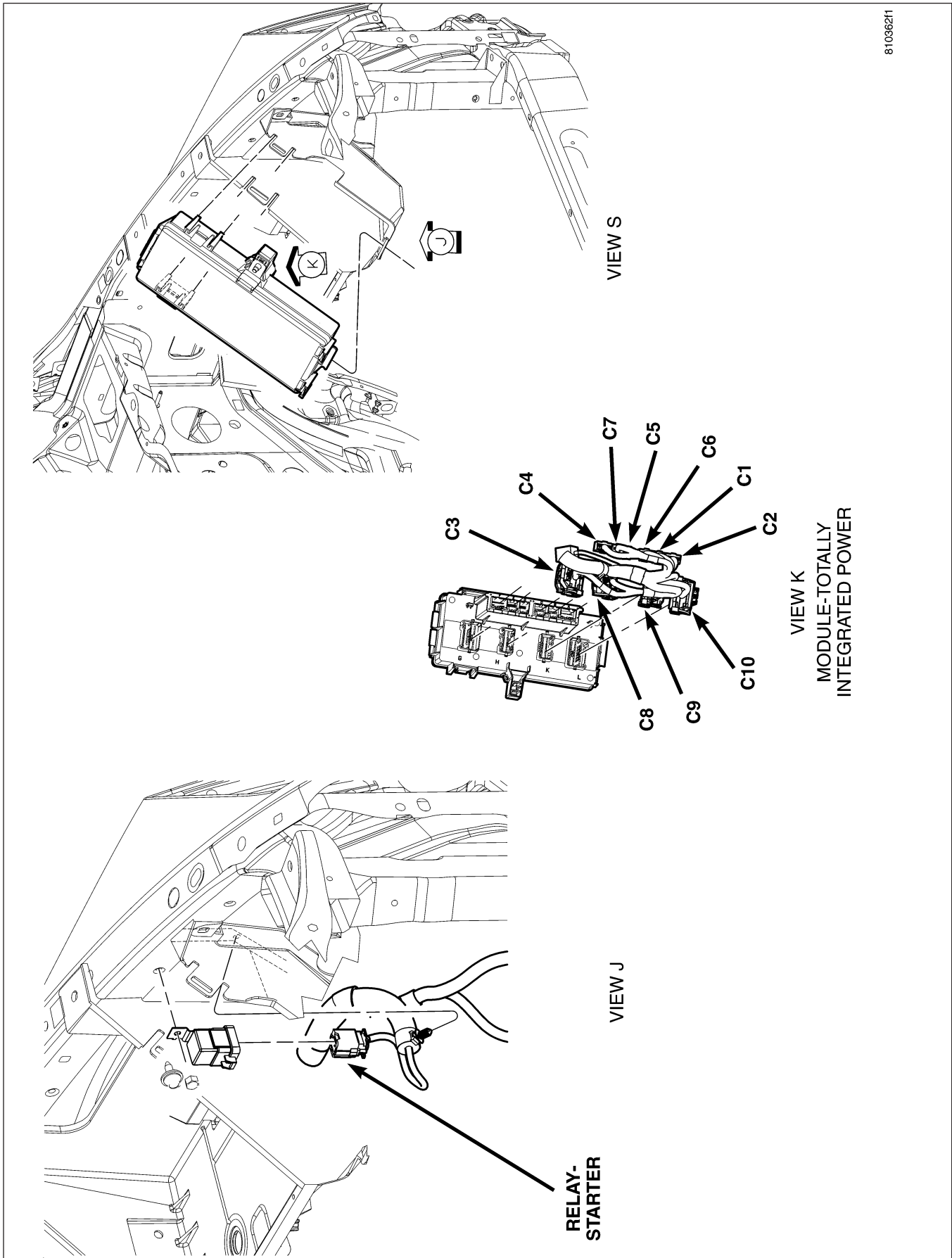


Fig. 35 LEFT FRONT ENGINE COMPARTMENT

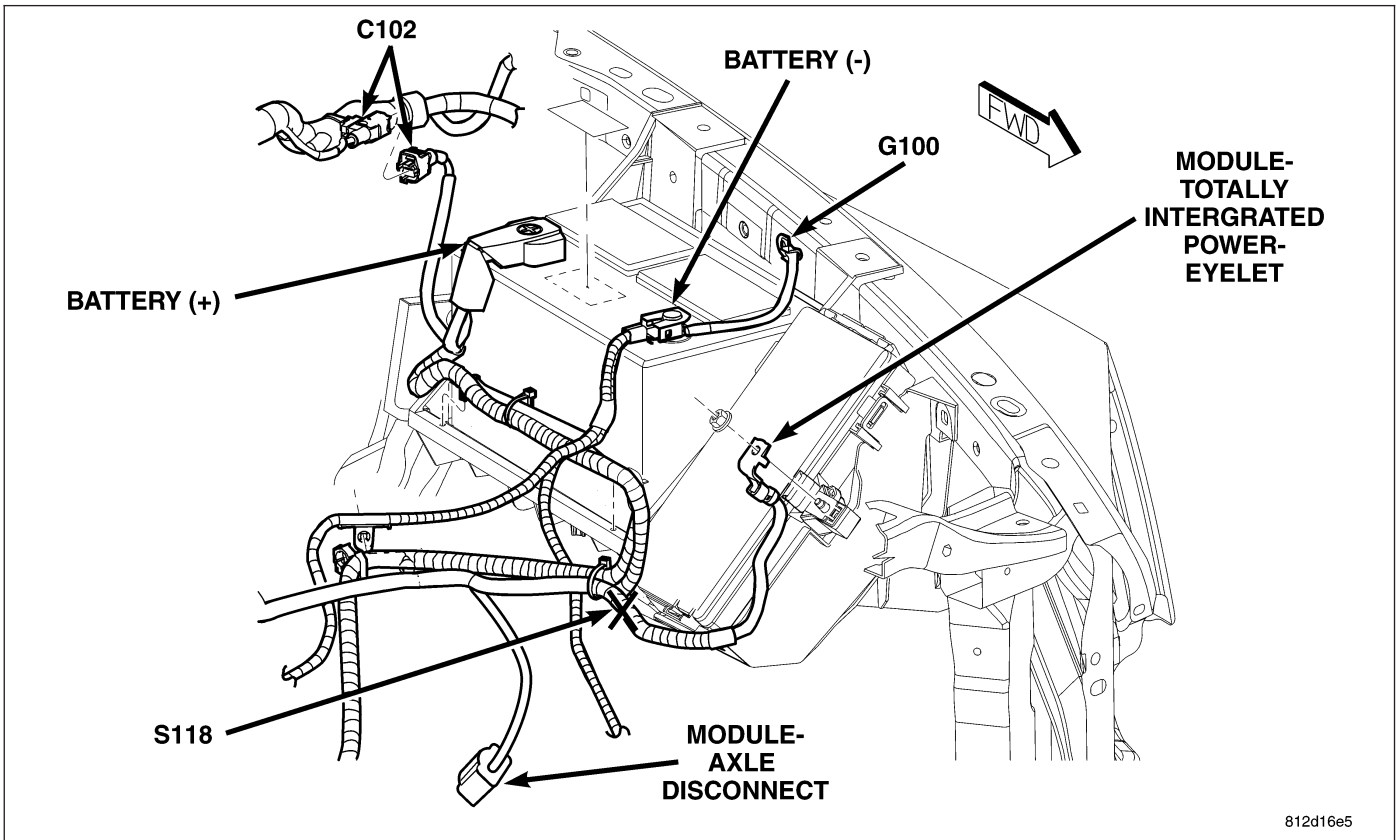


Fig. 36 BATTERY

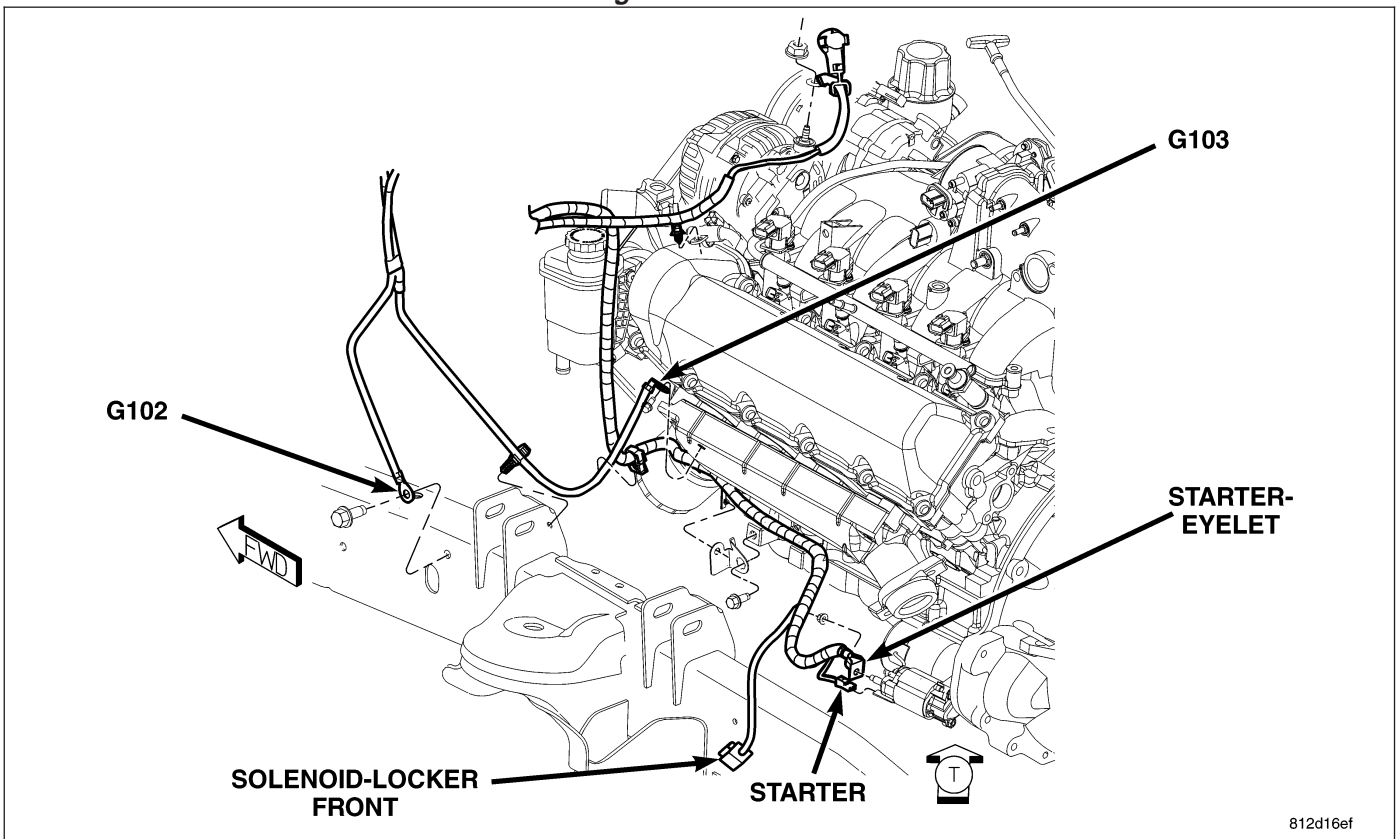


Fig. 37 LEFT GROUNDS AND STARTER

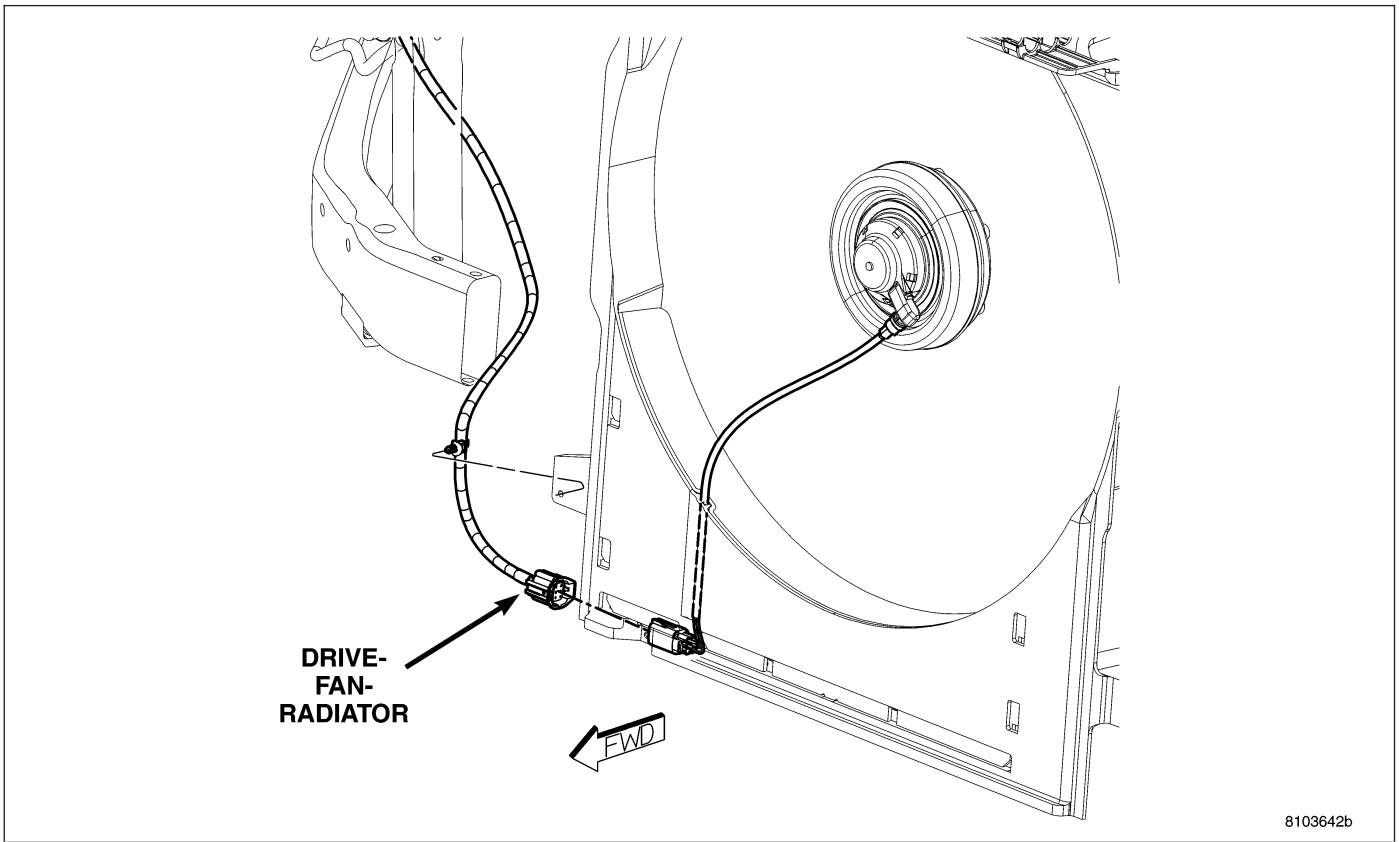


Fig. 38 FRONT ENGINE COMPARTMENT

80cf6017a

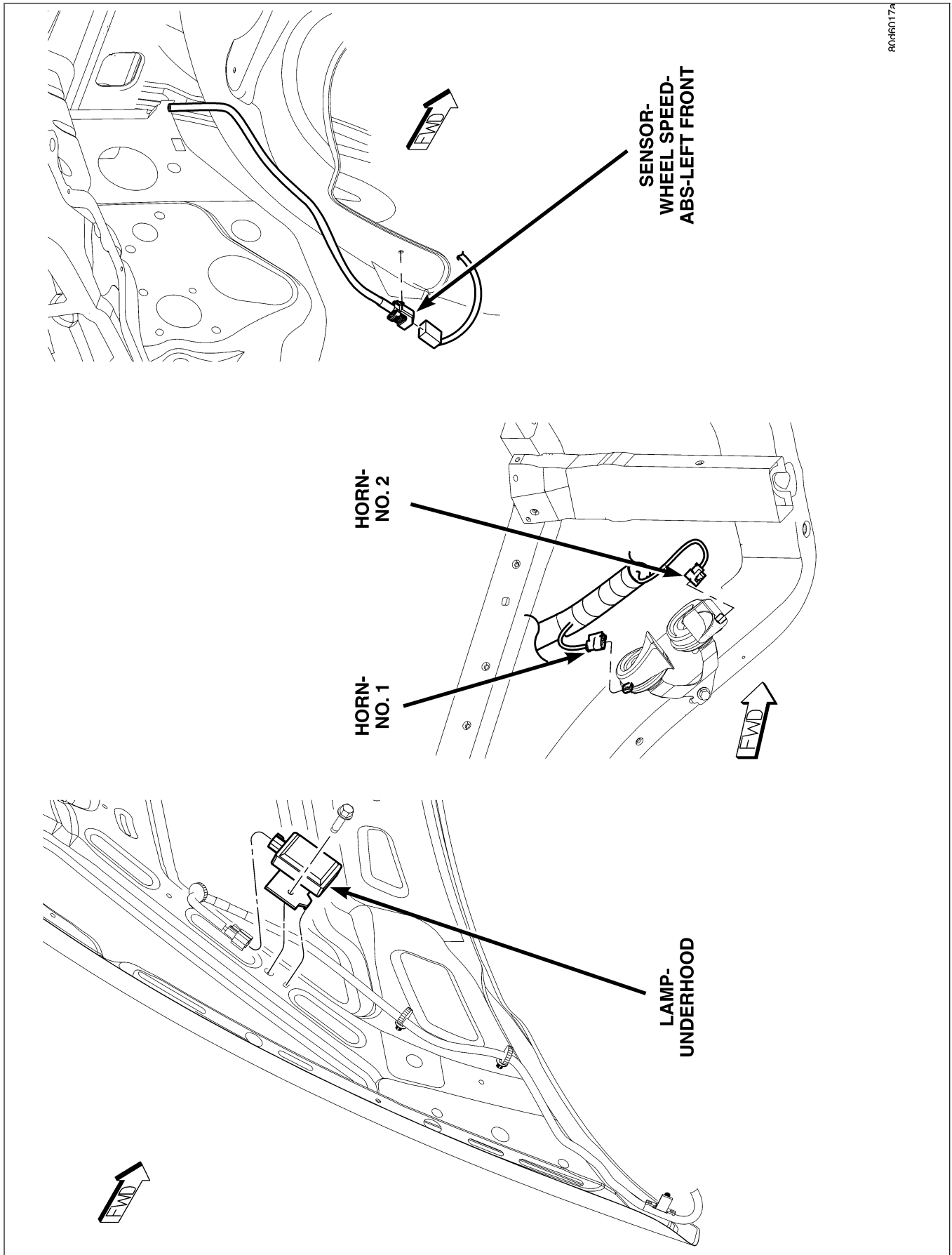
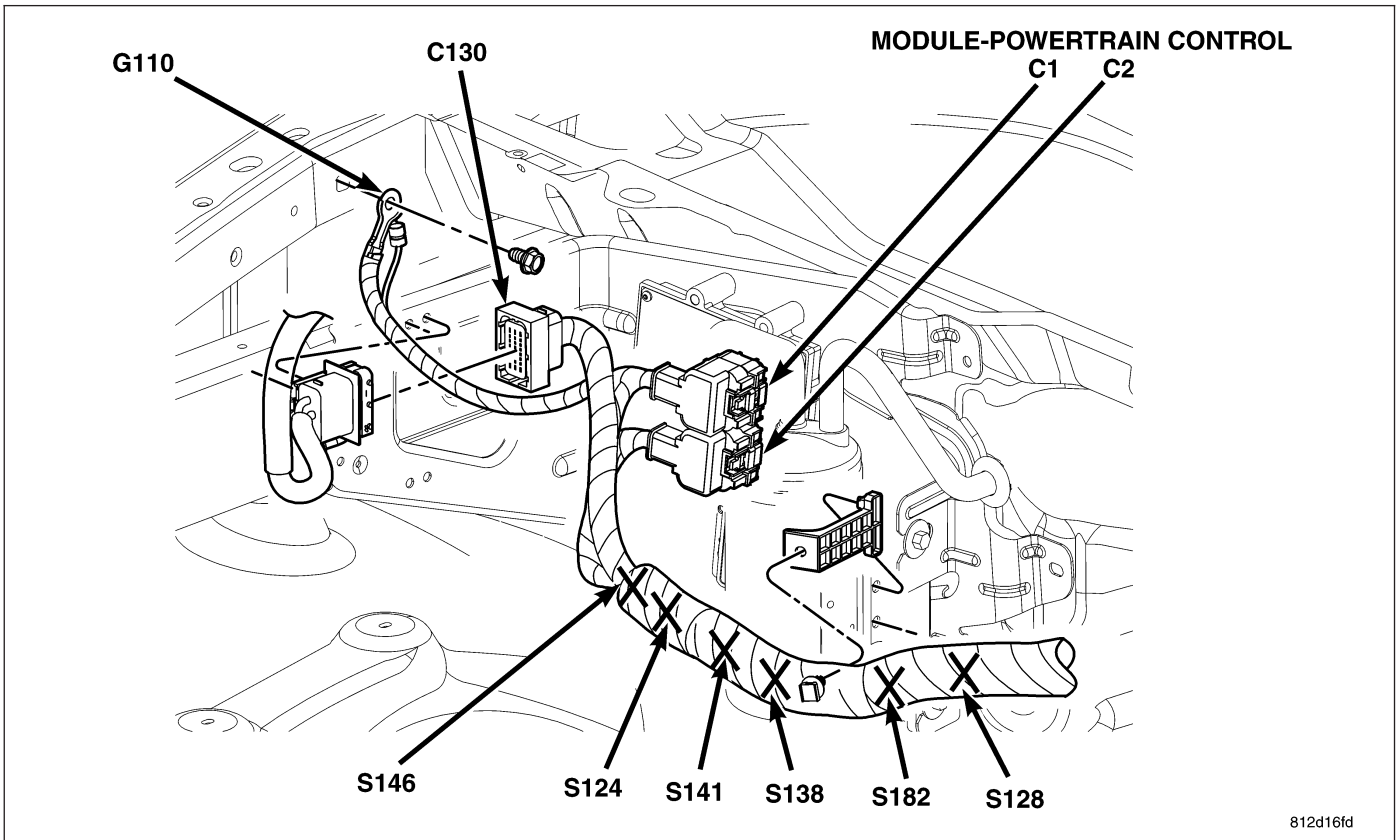
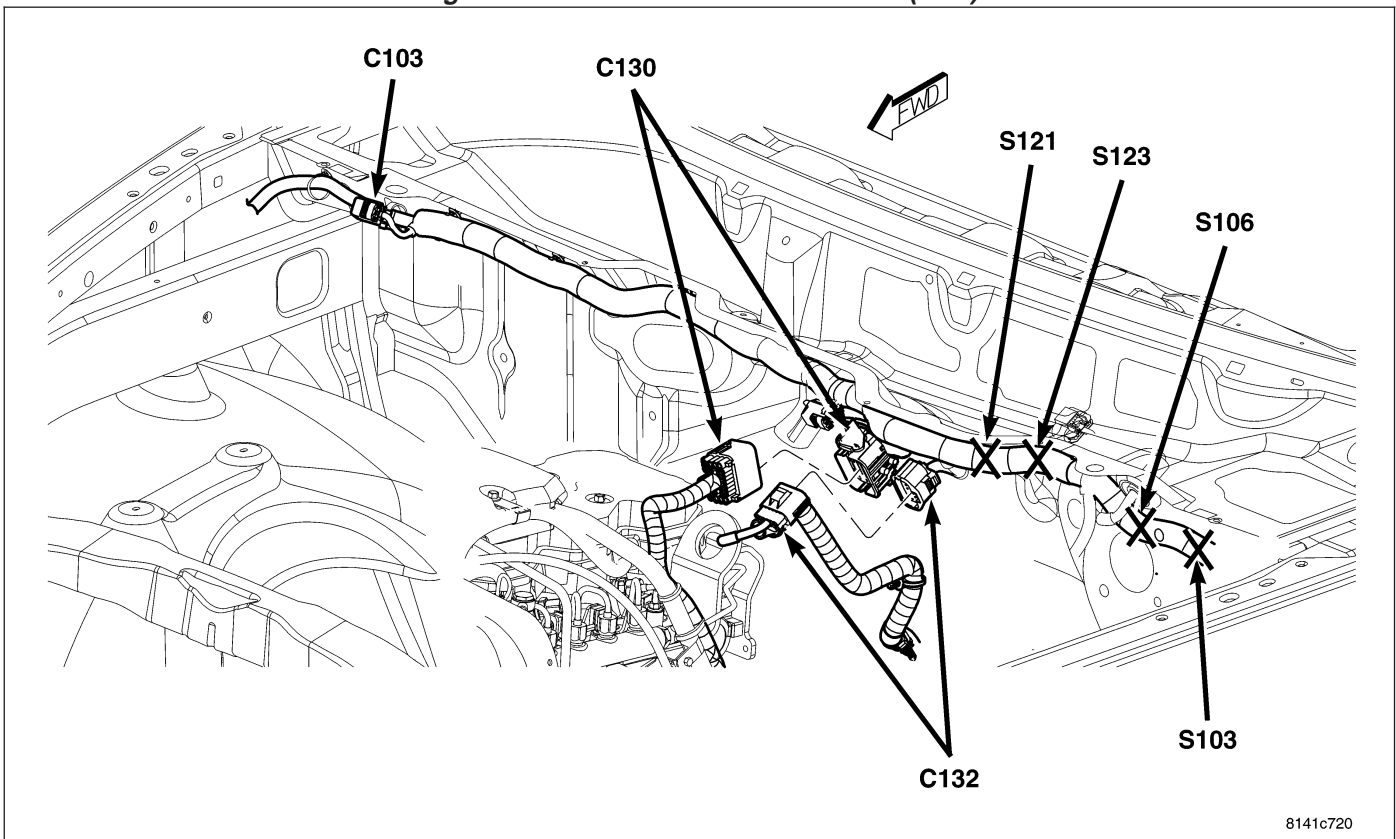


Fig. 39 LEFT SIDE ENGINE COMPARTMENT



812d16fd

Fig. 40 RIGHT REAR ENGINE WIRING (SRT)



8141c720

Fig. 41 REAR ENGINE COMPARTMENT INLINES (DIESEL)

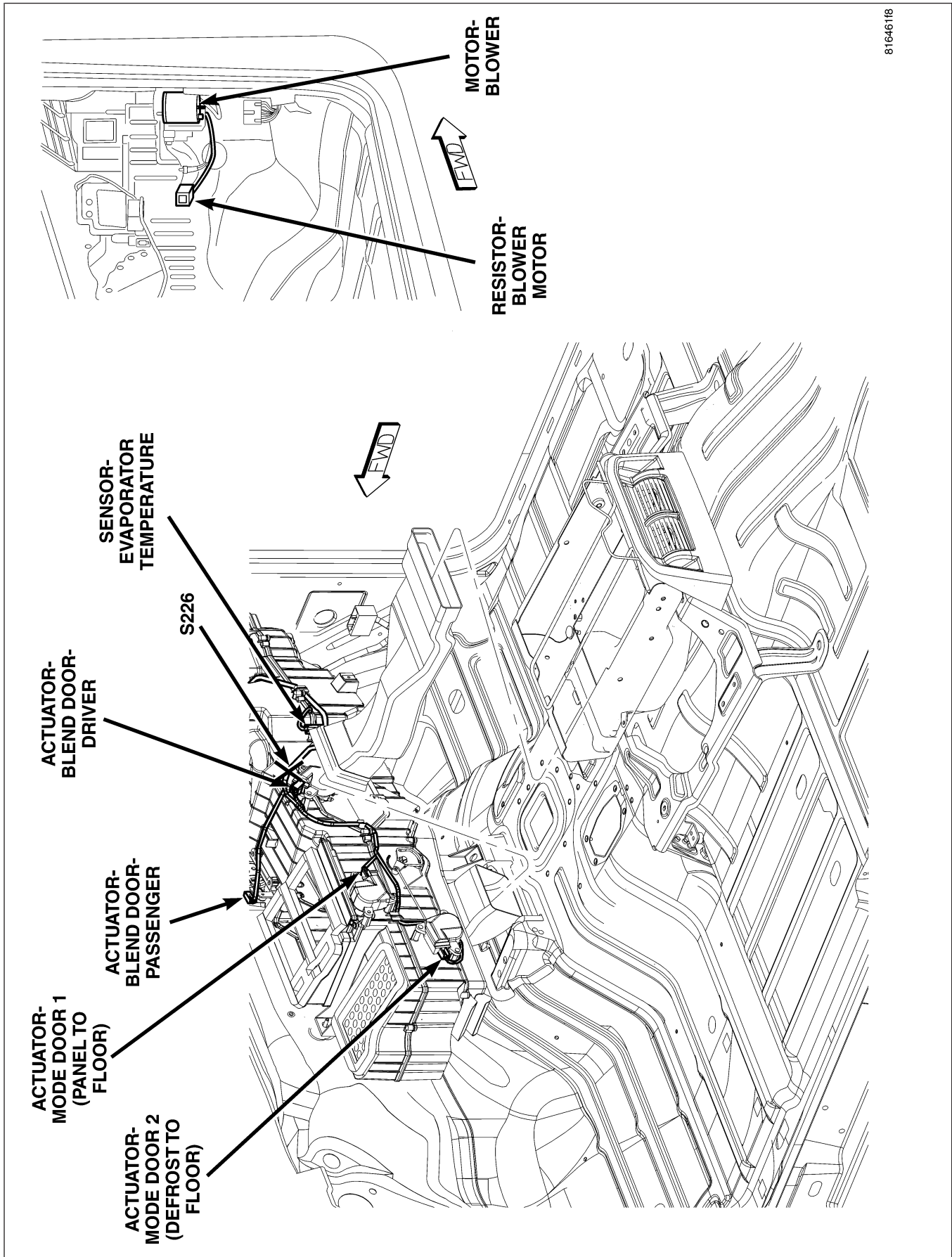
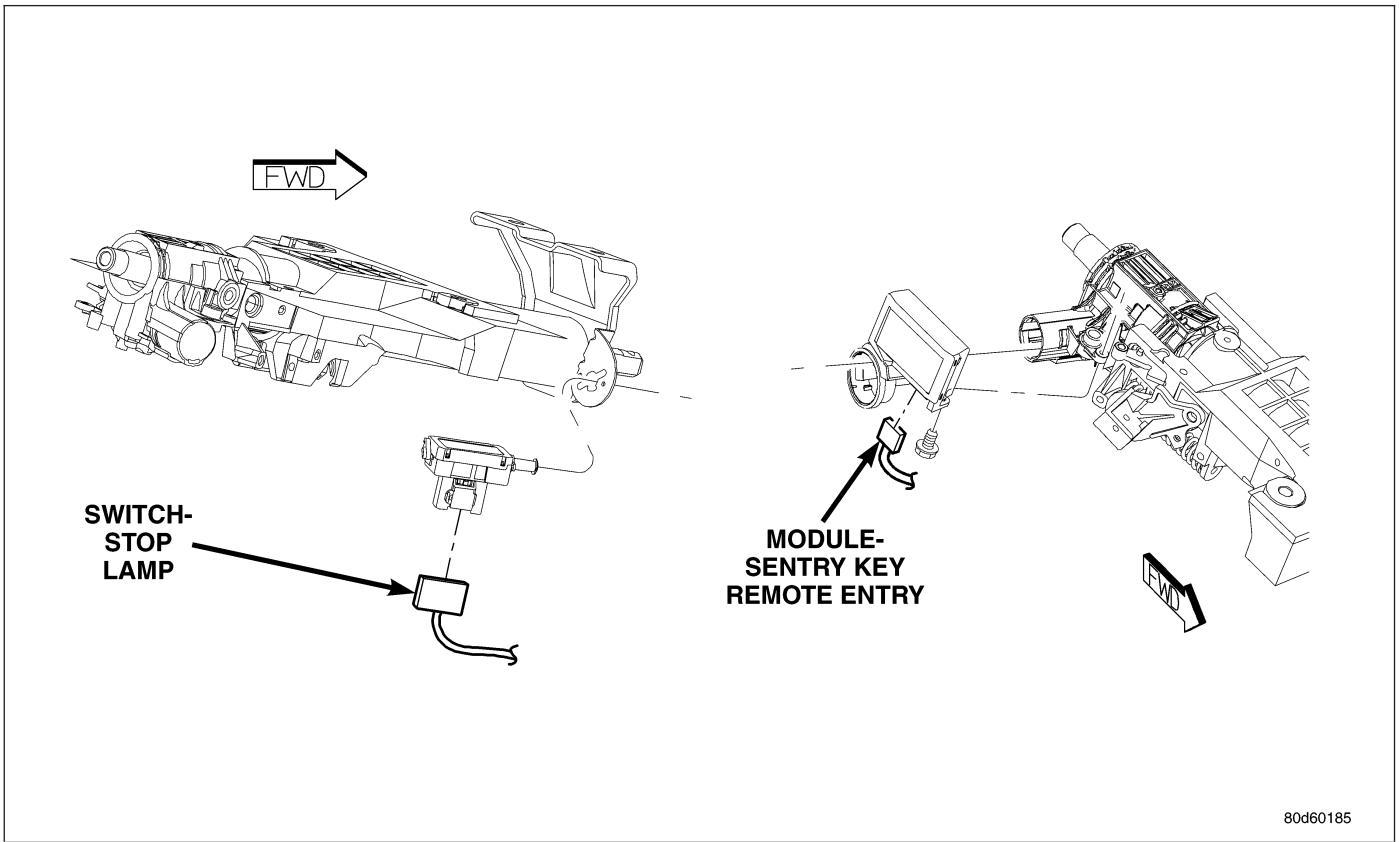


Fig. 42 HVAC ASSEMBLY



80d60185

Fig. 43 STEERING COLUMN

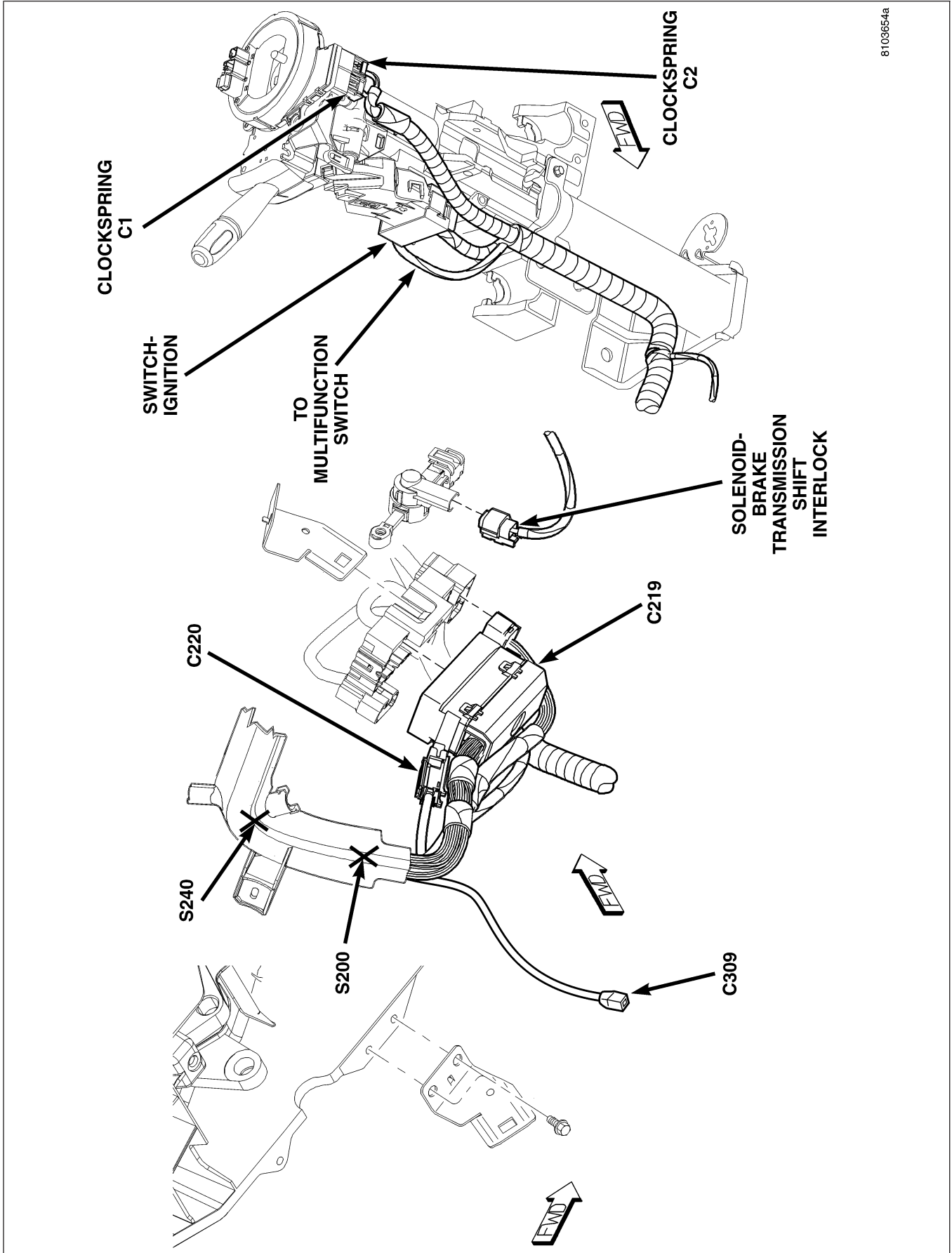


Fig. 44 LEFT STEERING COLUMN

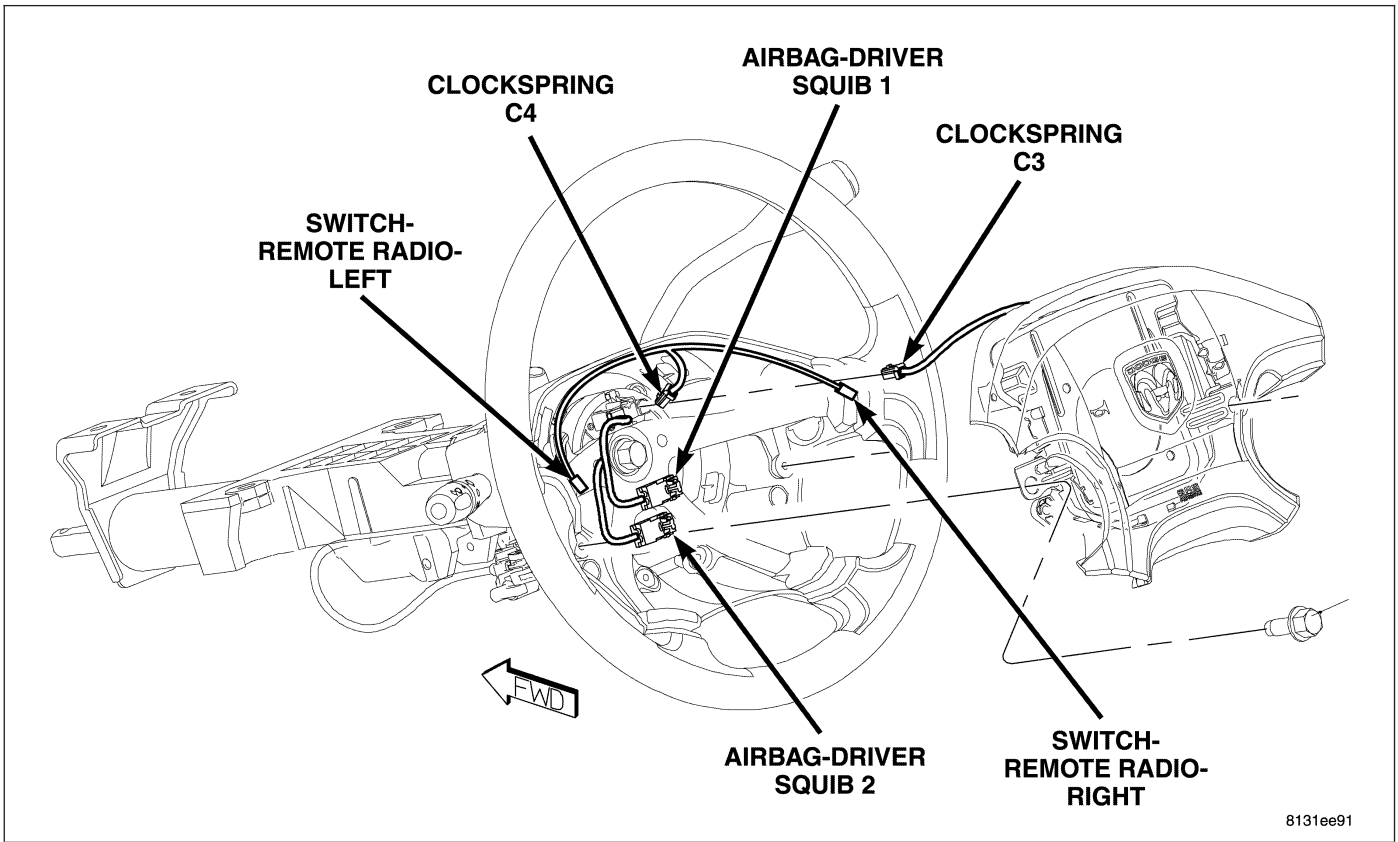


Fig. 45 STEERING WHEEL

80d60182

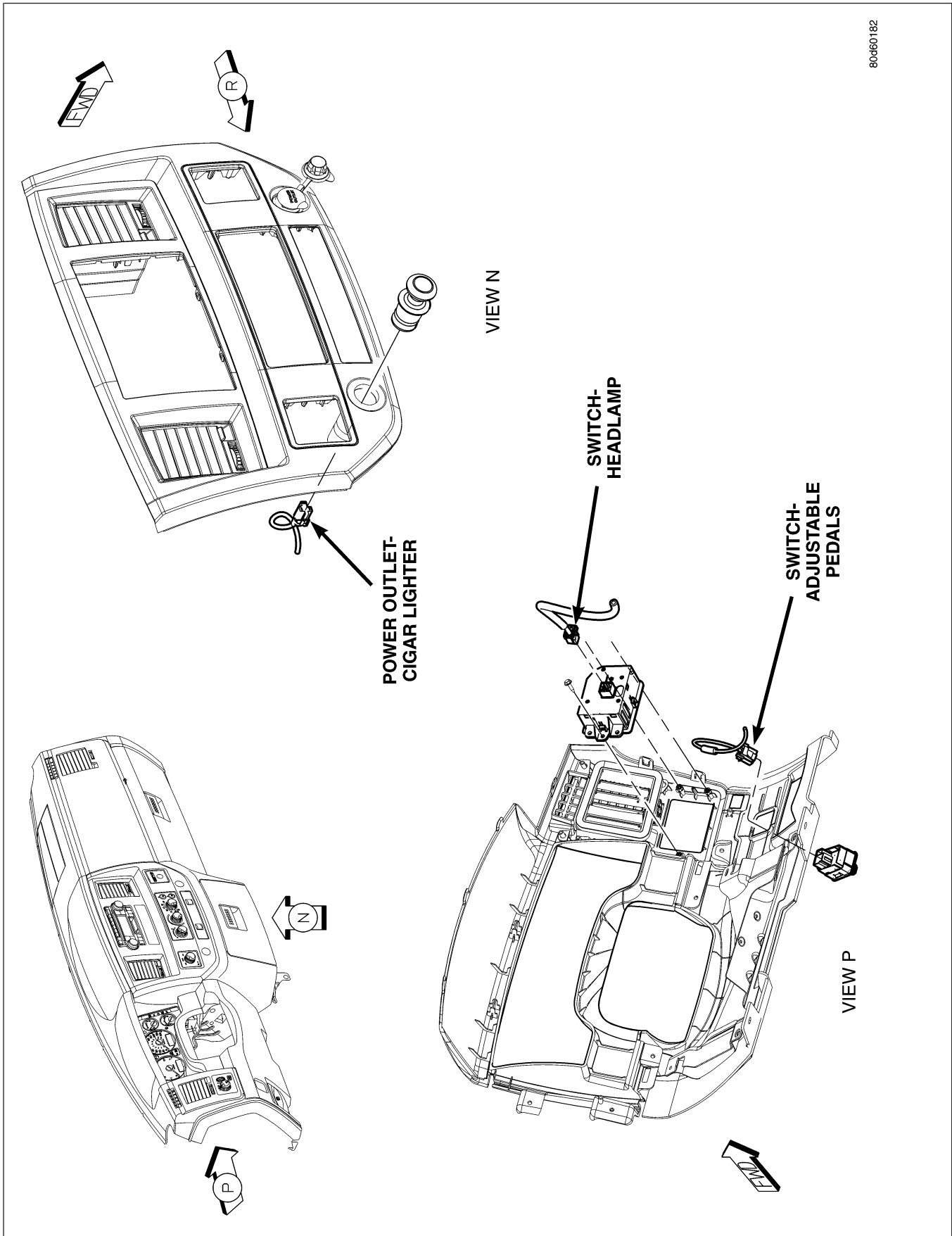


Fig. 46 LEFT SIDE OF CENTER STACK

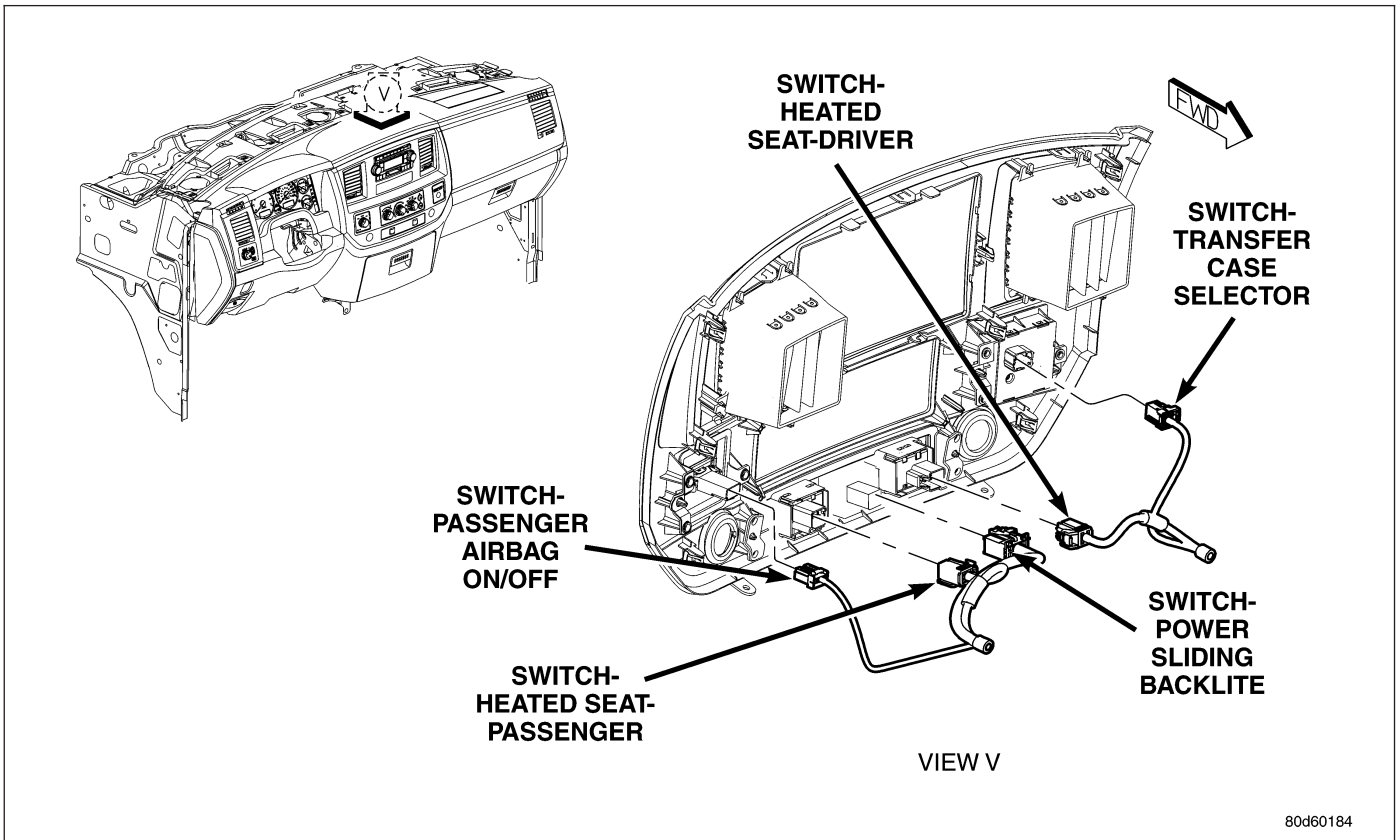


Fig. 47 CENTER STACK

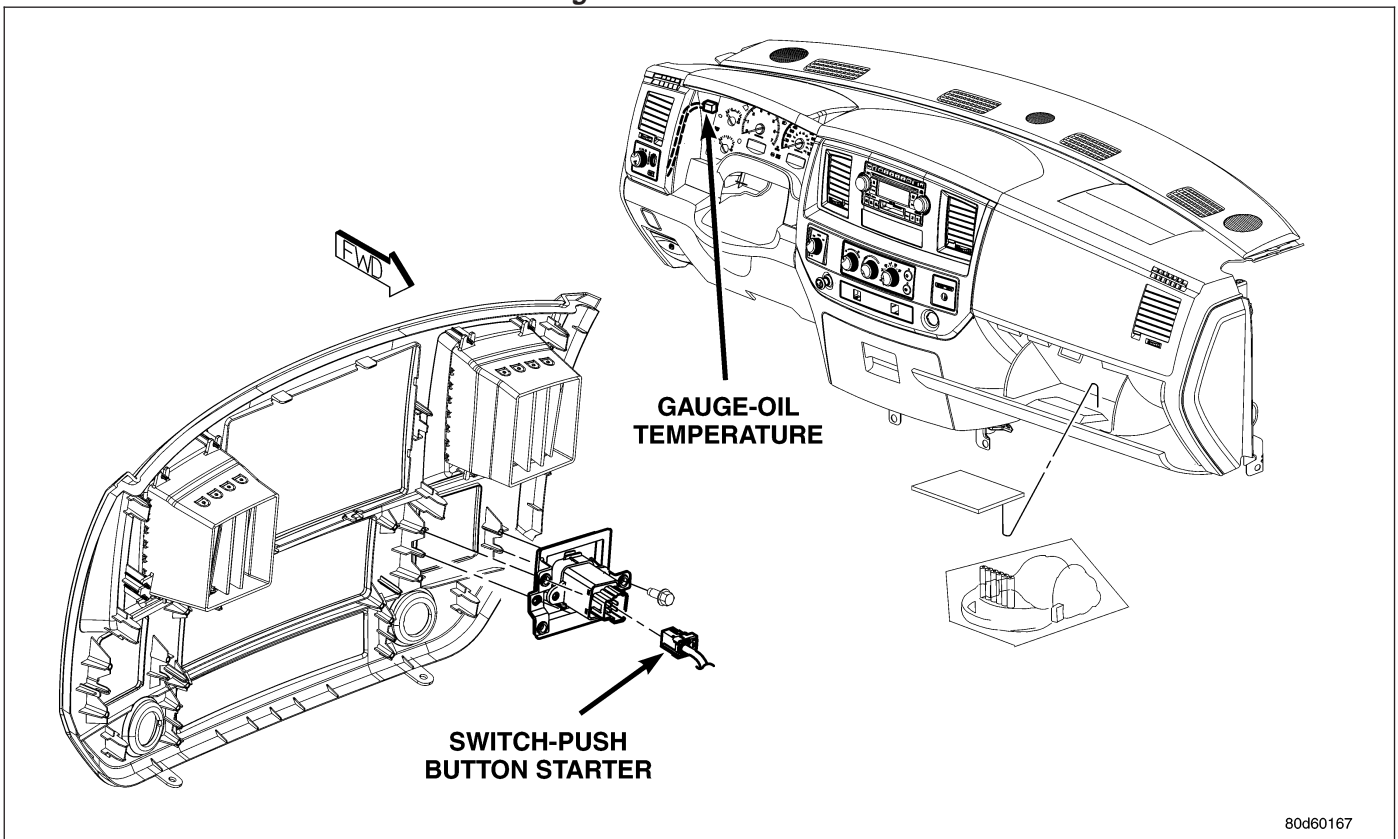


Fig. 48 INSTRUMENT PANEL - SRT

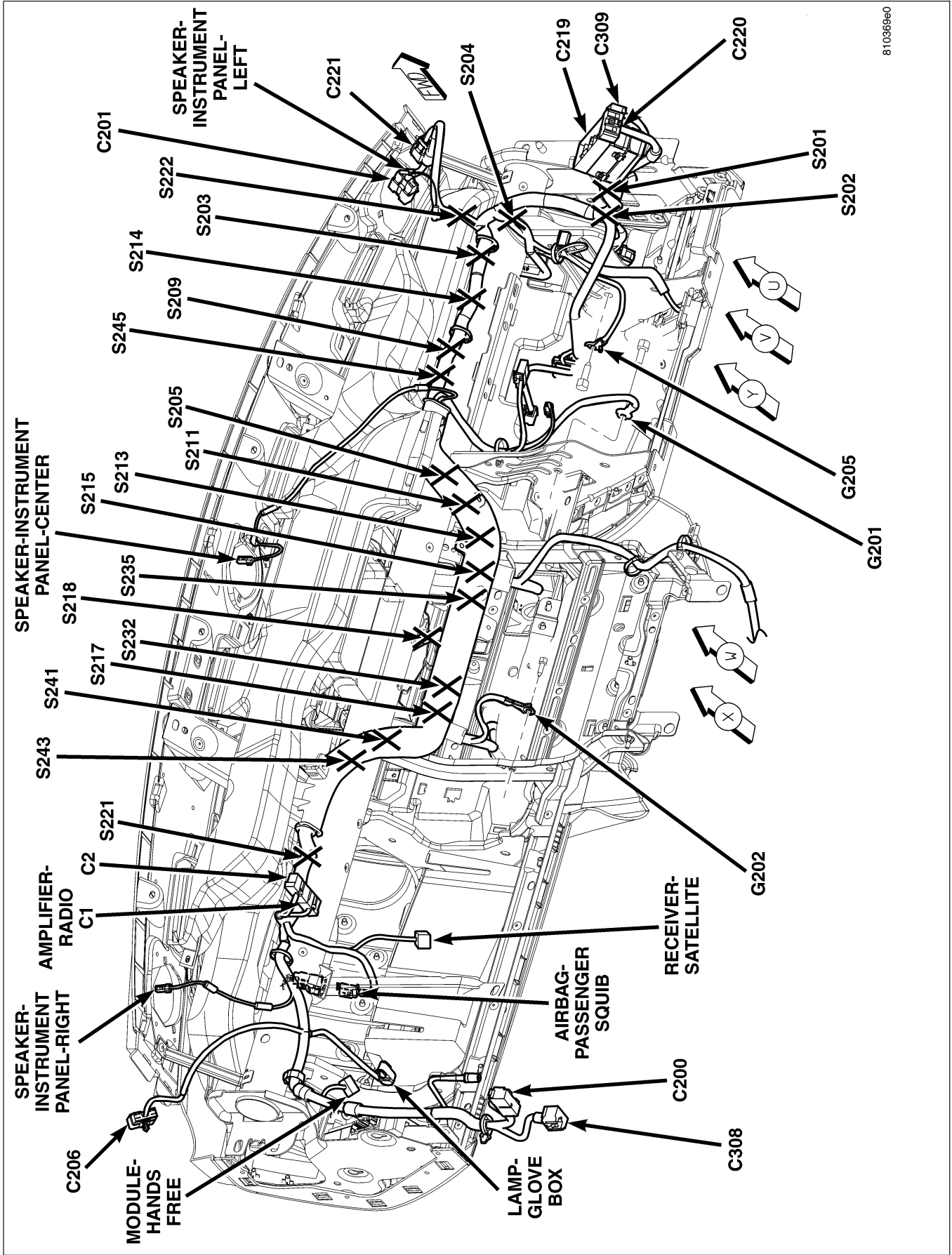


Fig. 49 INSTRUMENT PANEL

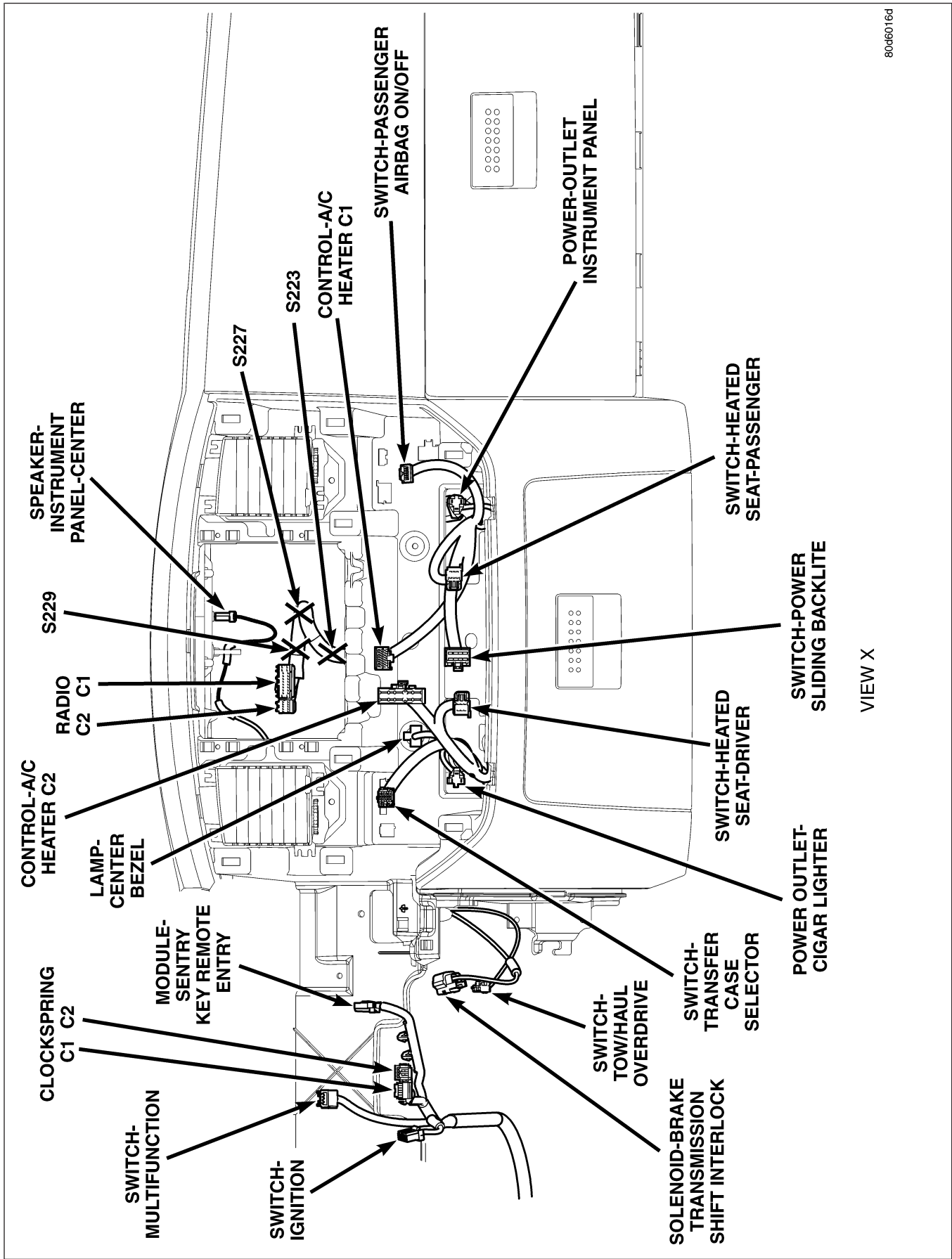
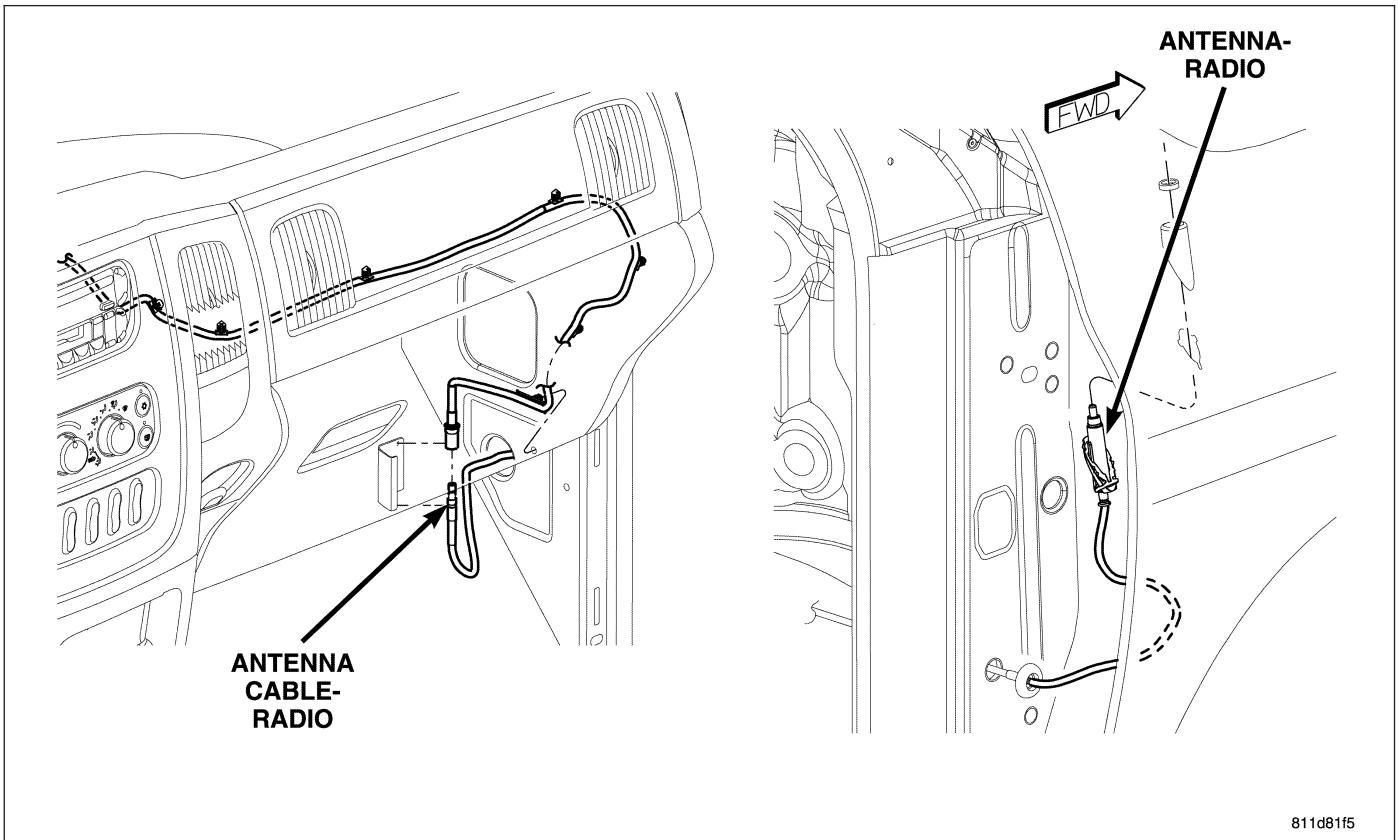


Fig. 50 LEFT AND CENTER INSTRUMENT PANEL

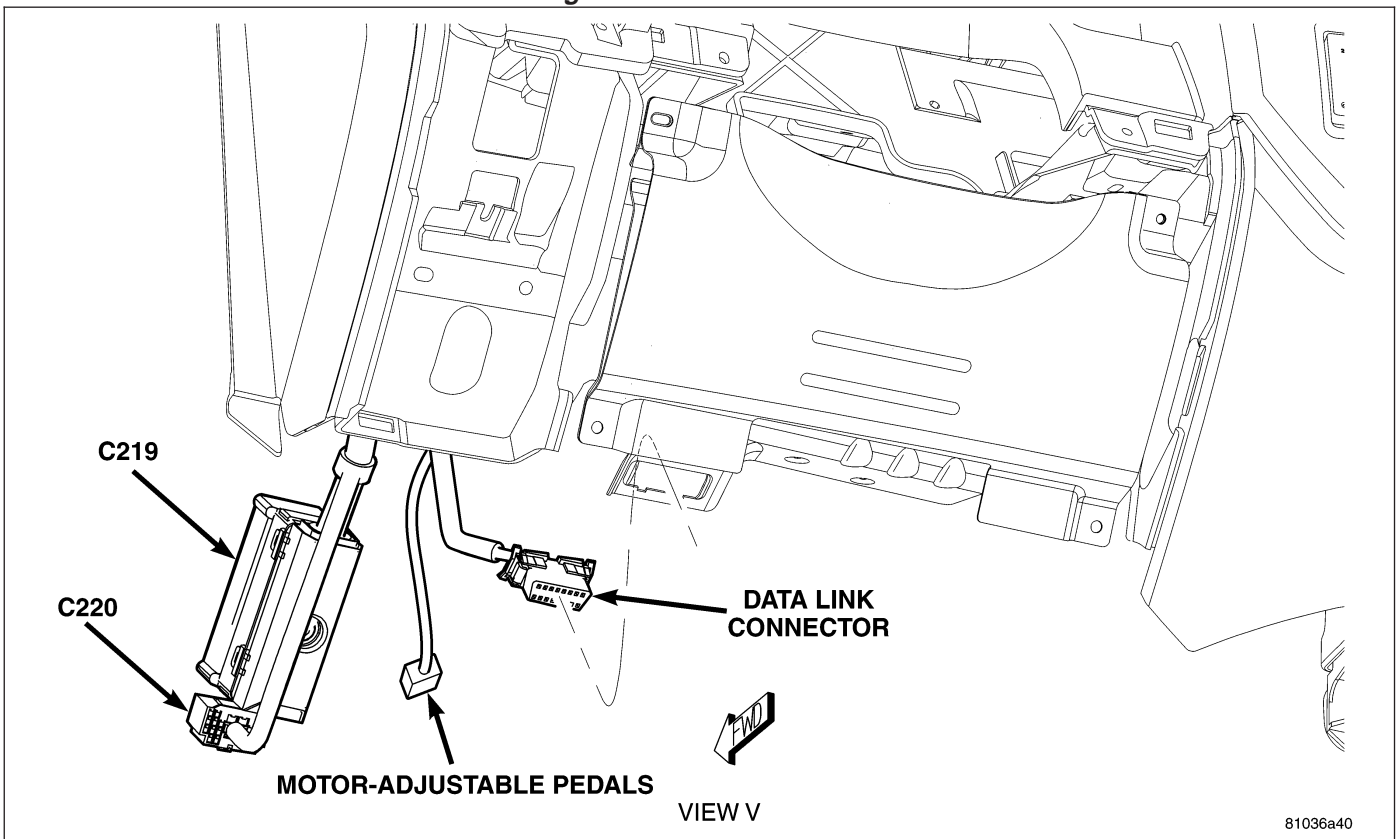
VIEW X

80d6016d



811d81f5

Fig. 51 RADIO ANTENNA



81036a40

Fig. 52 LOWER LEFT INSTRUMENT PANEL

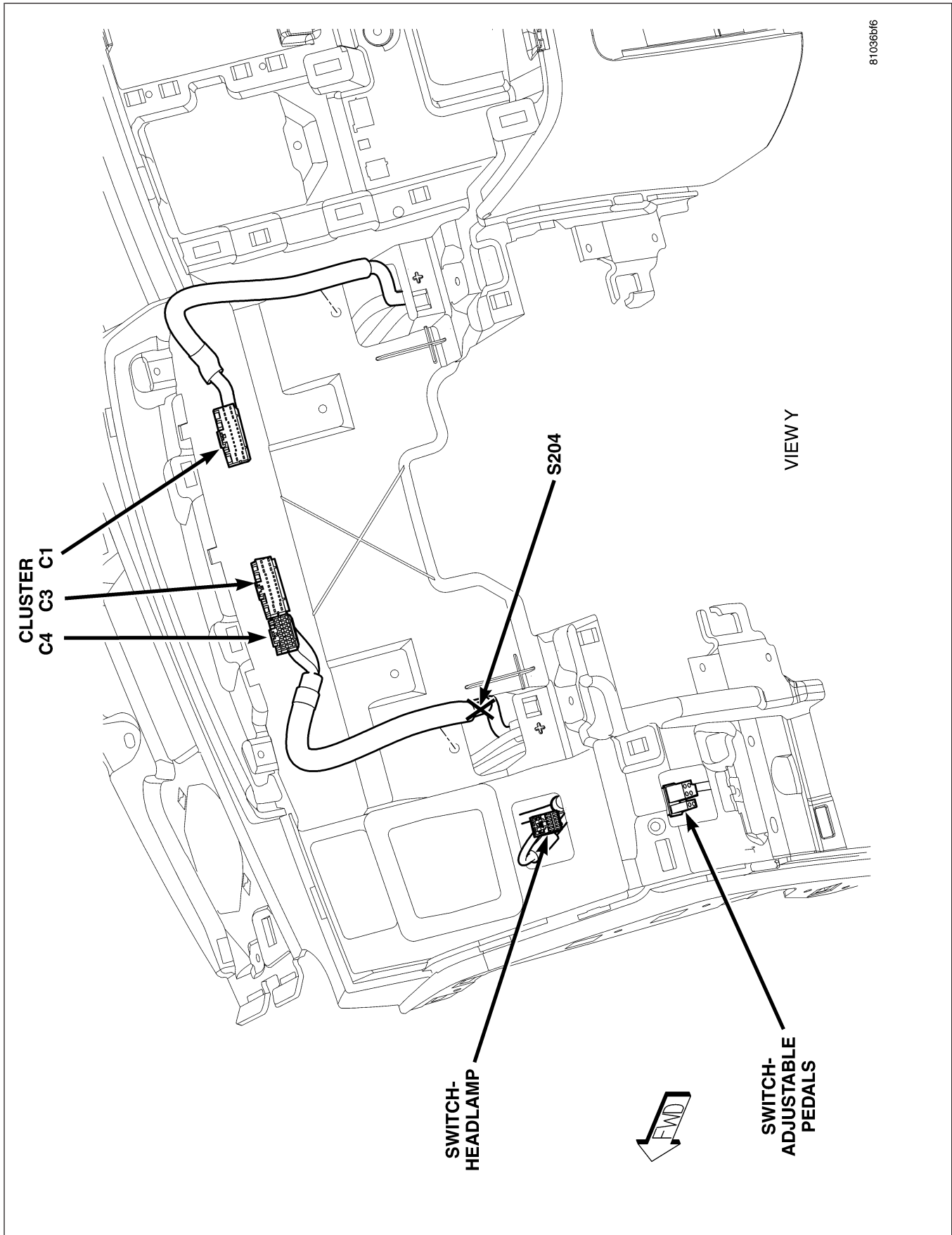


Fig. 53 LEFT INSTRUMENT PANEL

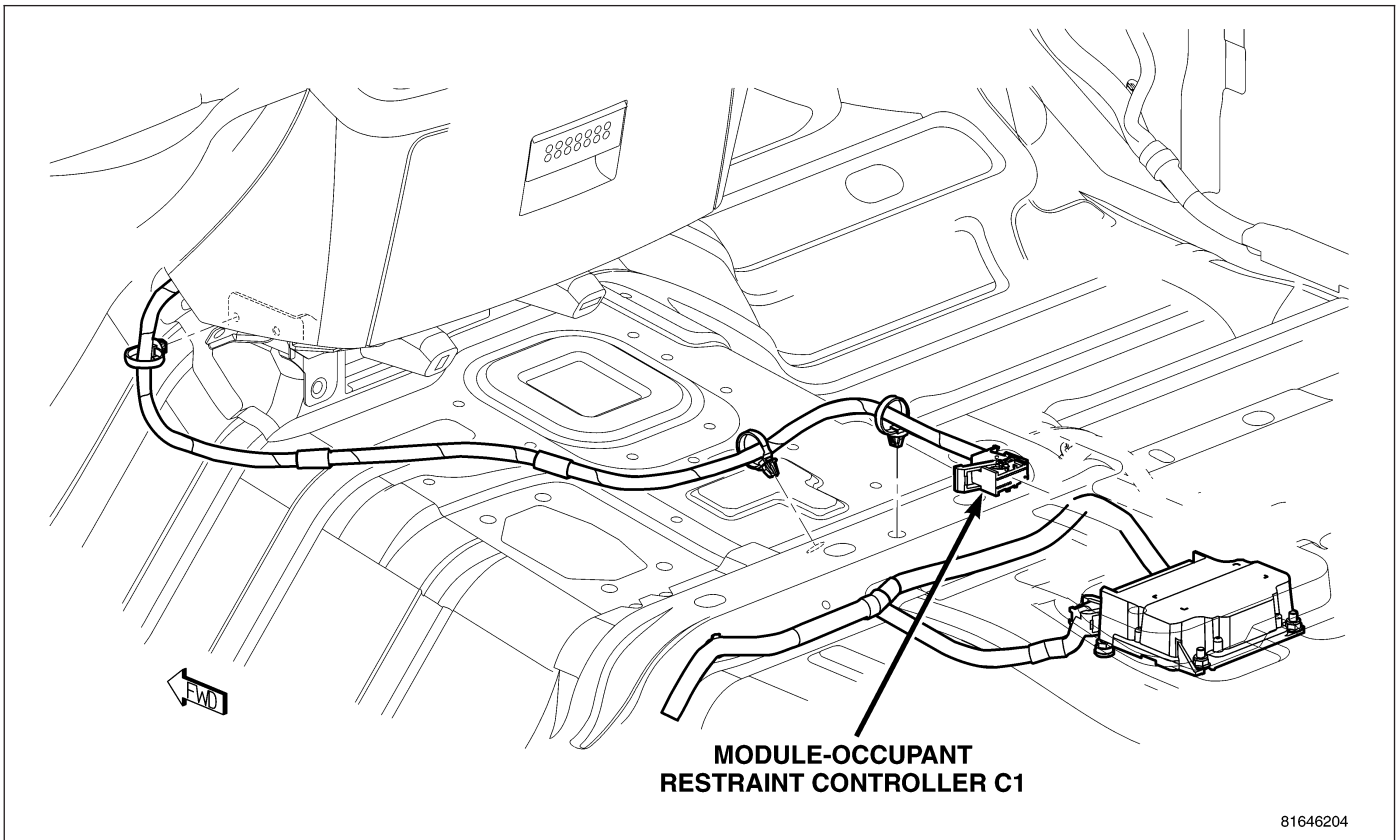


Fig. 54 FRONT CENTER BODY

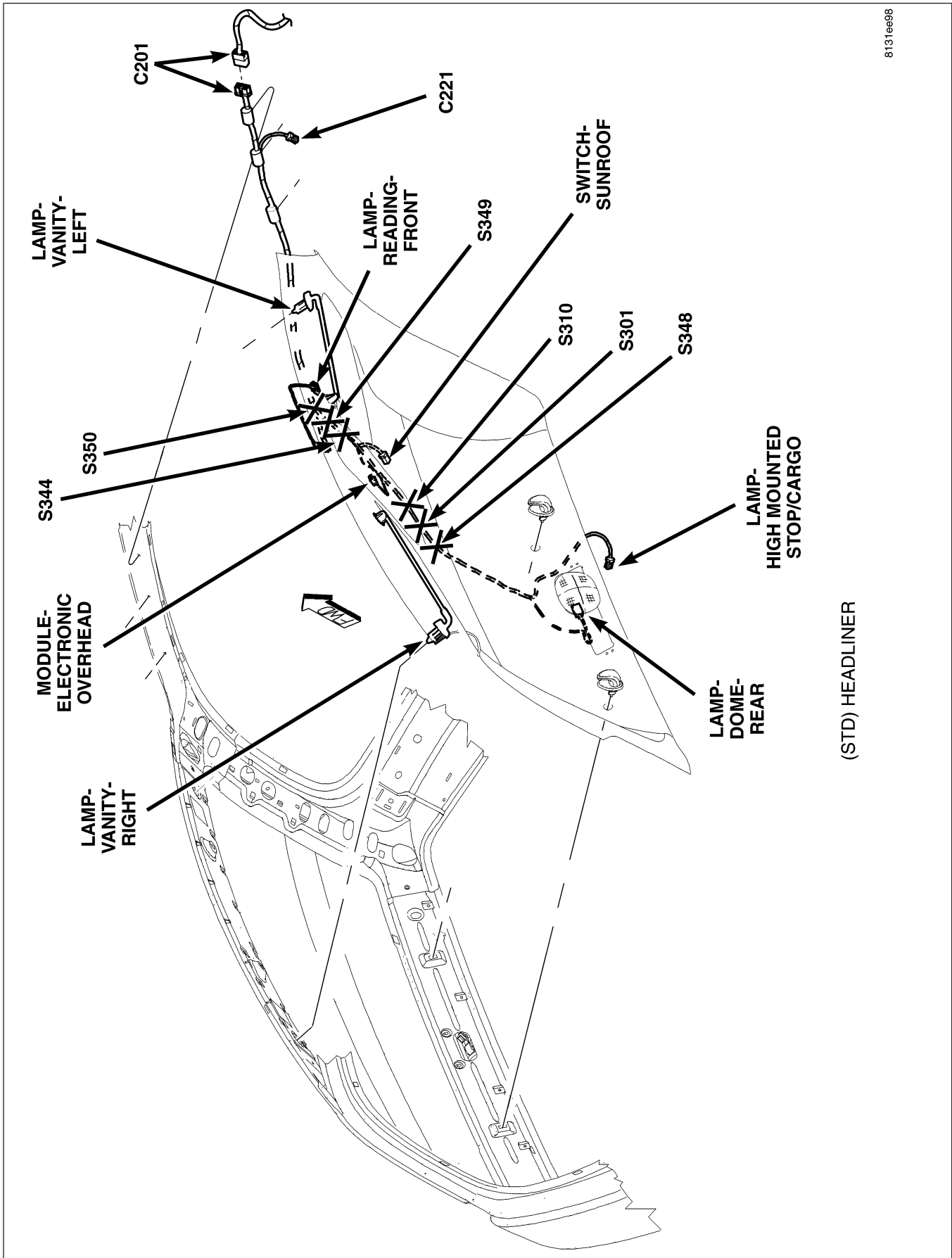
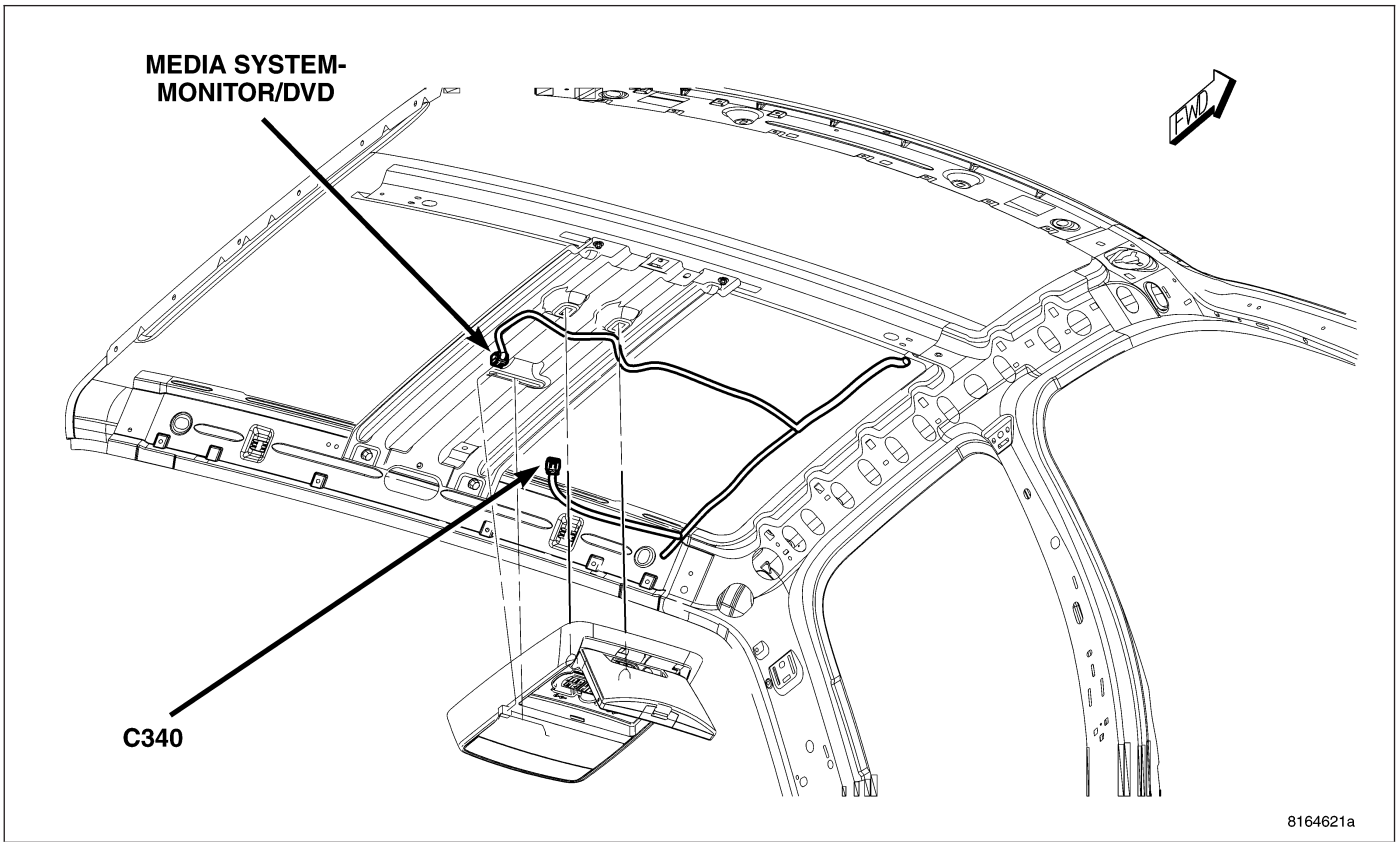


Fig. 55 HEADLINER



8164621a

Fig. 56 CENTER HEADLINER

80460166

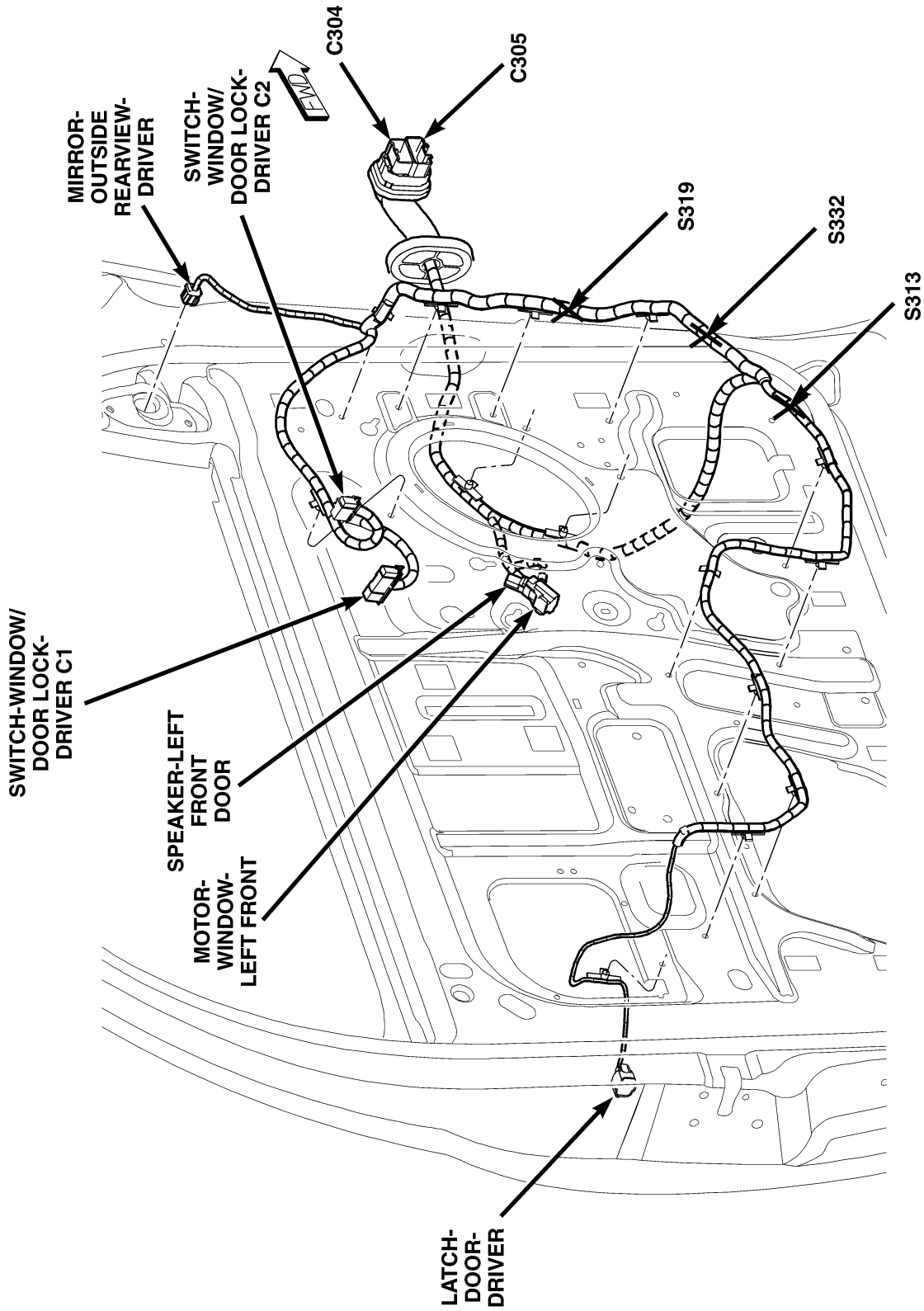
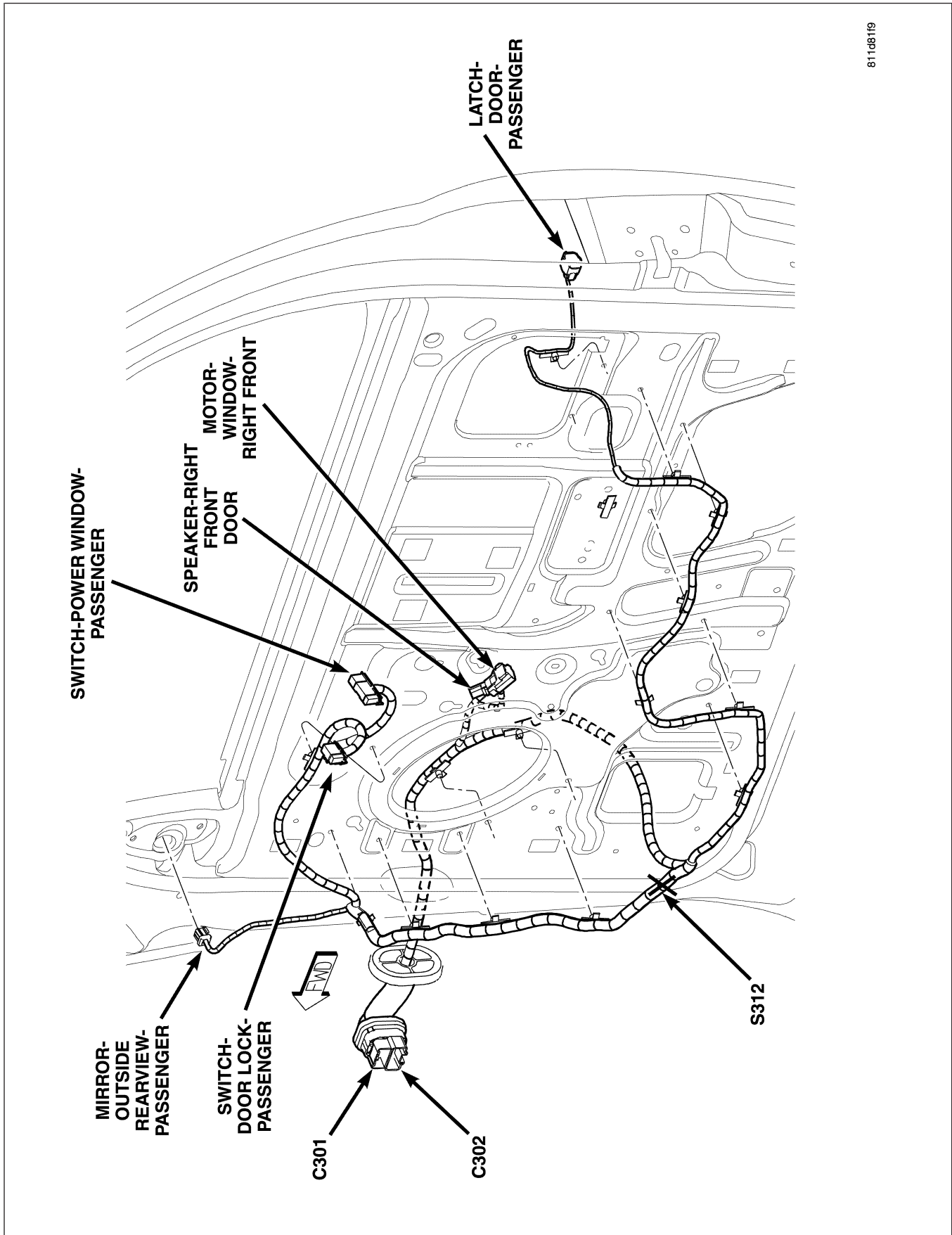


Fig. 57 LEFT FRONT DOOR PREMIUM



8110819

Fig. 58 RIGHT FRONT DOOR PREMIUM

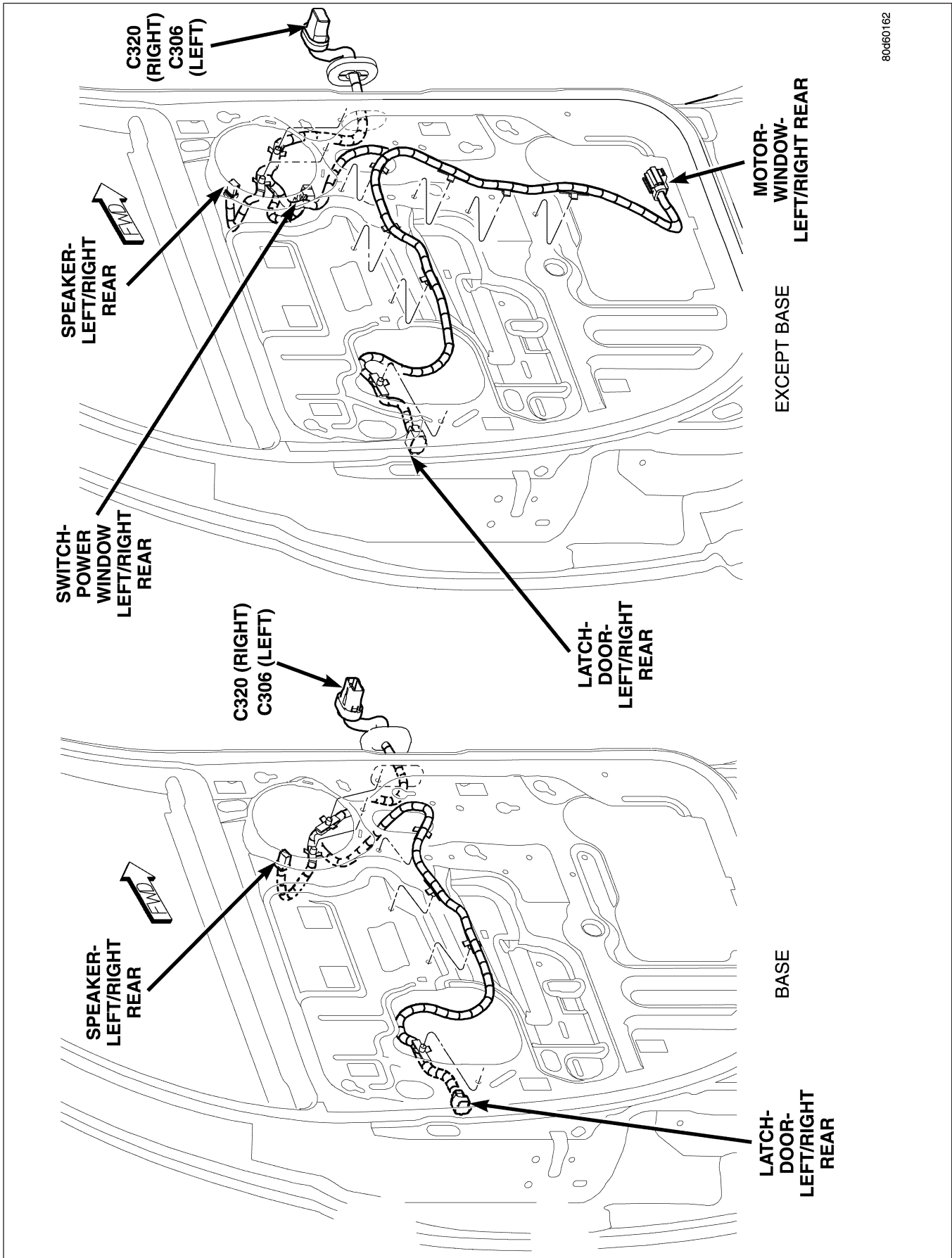
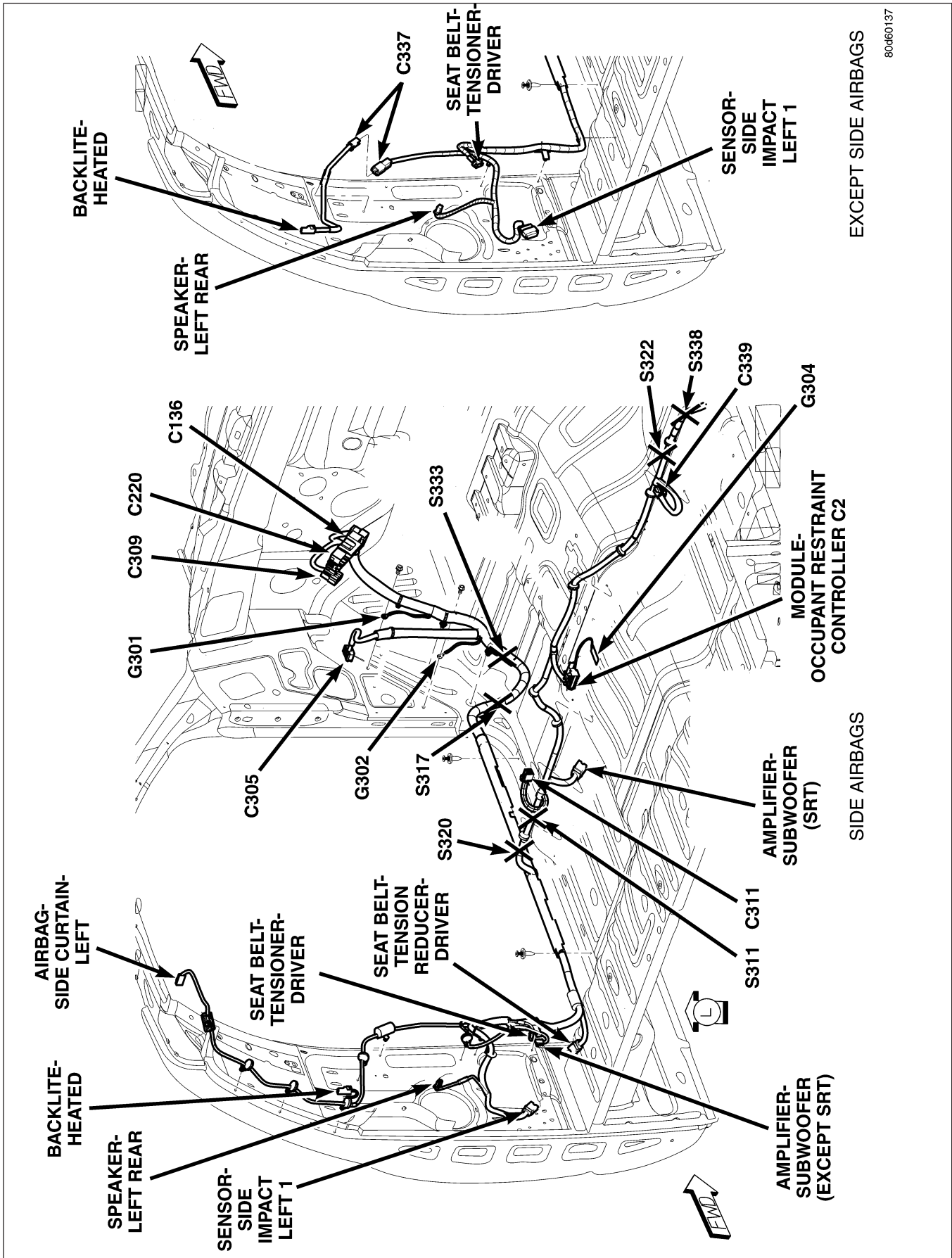


Fig. 59 LEFT REAR DOOR (RIGHT SIDE SIMILAR)



80d60137

Fig. 60 LEFT SIDE BODY - STANDARD CAB

812d174c

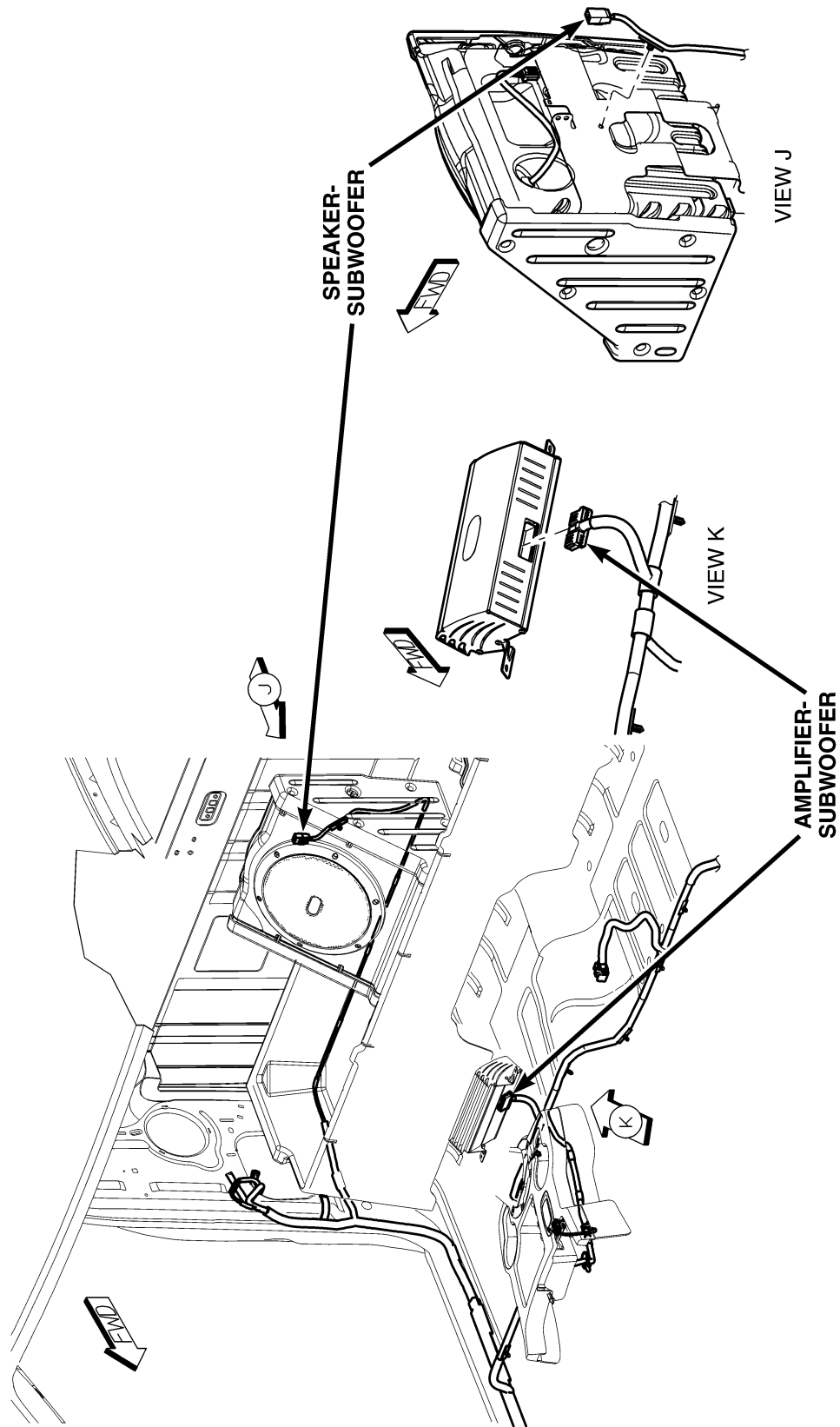


Fig. 61 CENTER BODY (SRT)

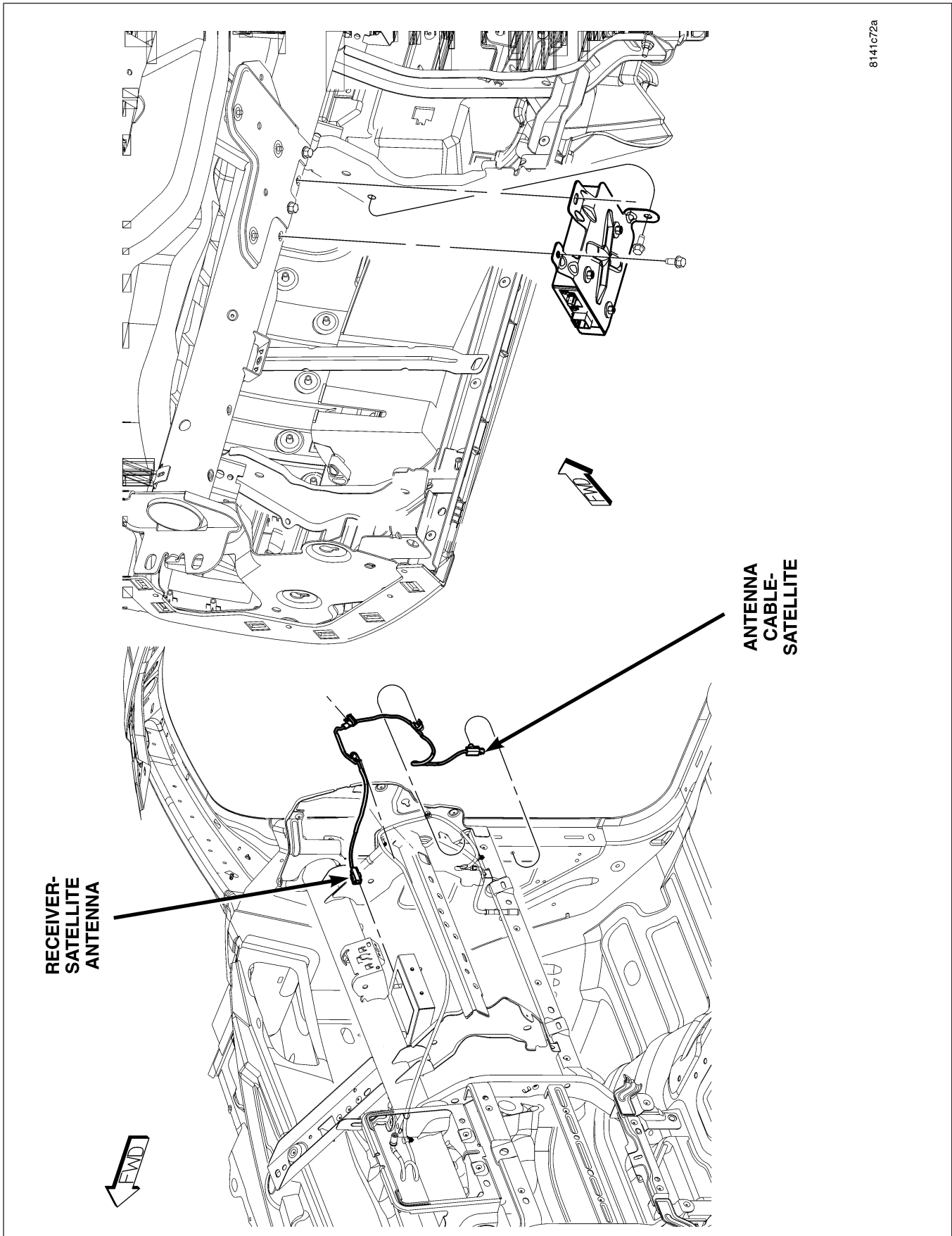


Fig. 62 SATELLITE RECEIVER

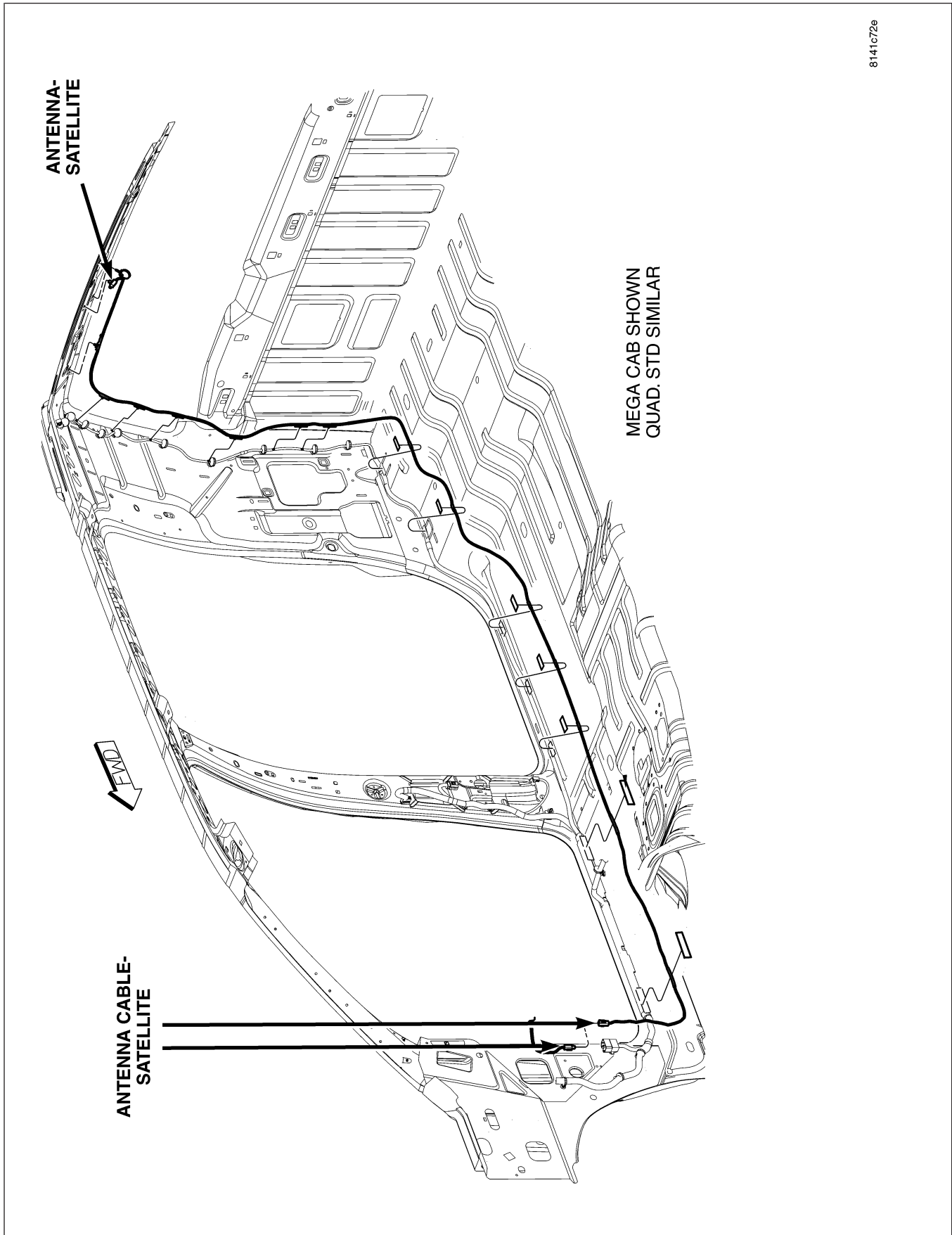
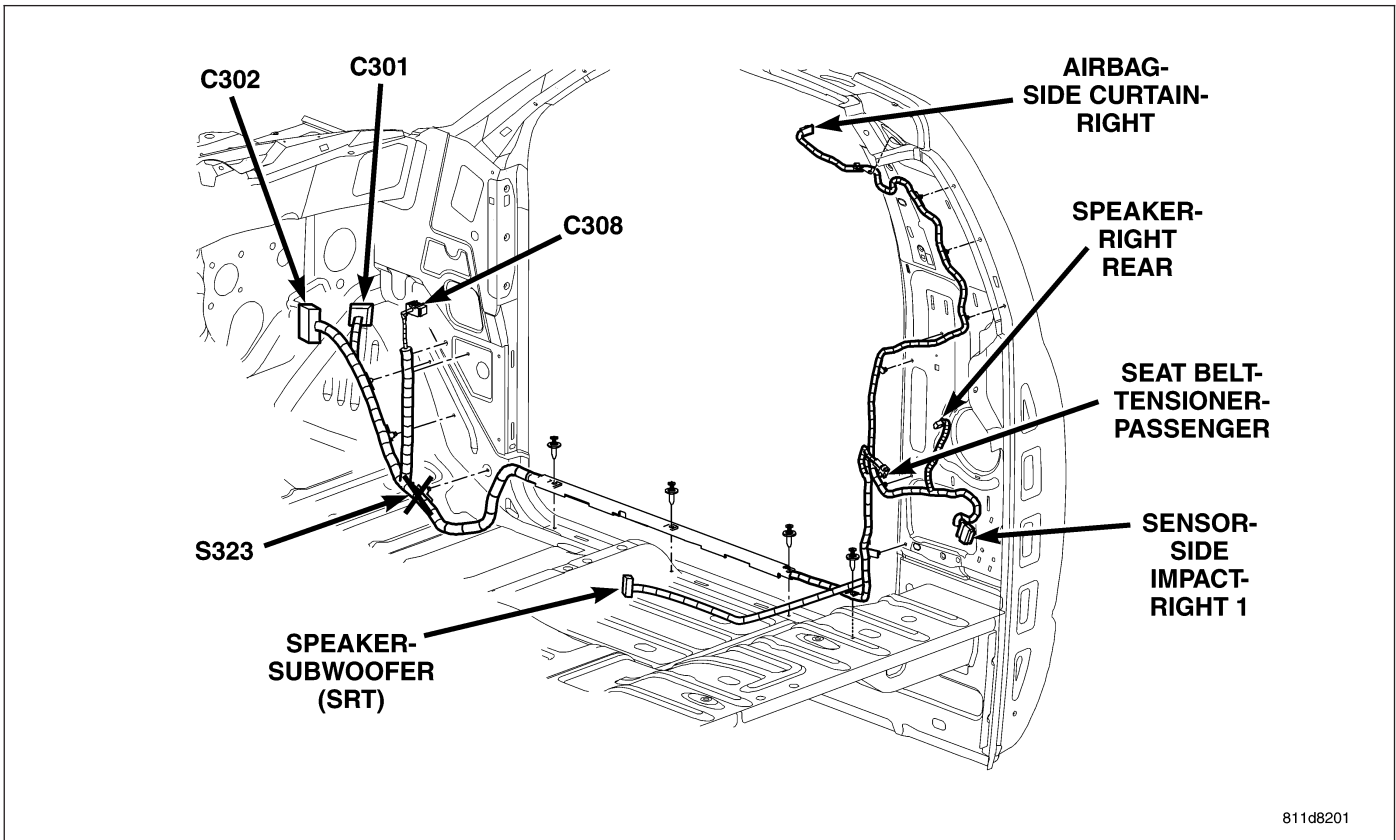
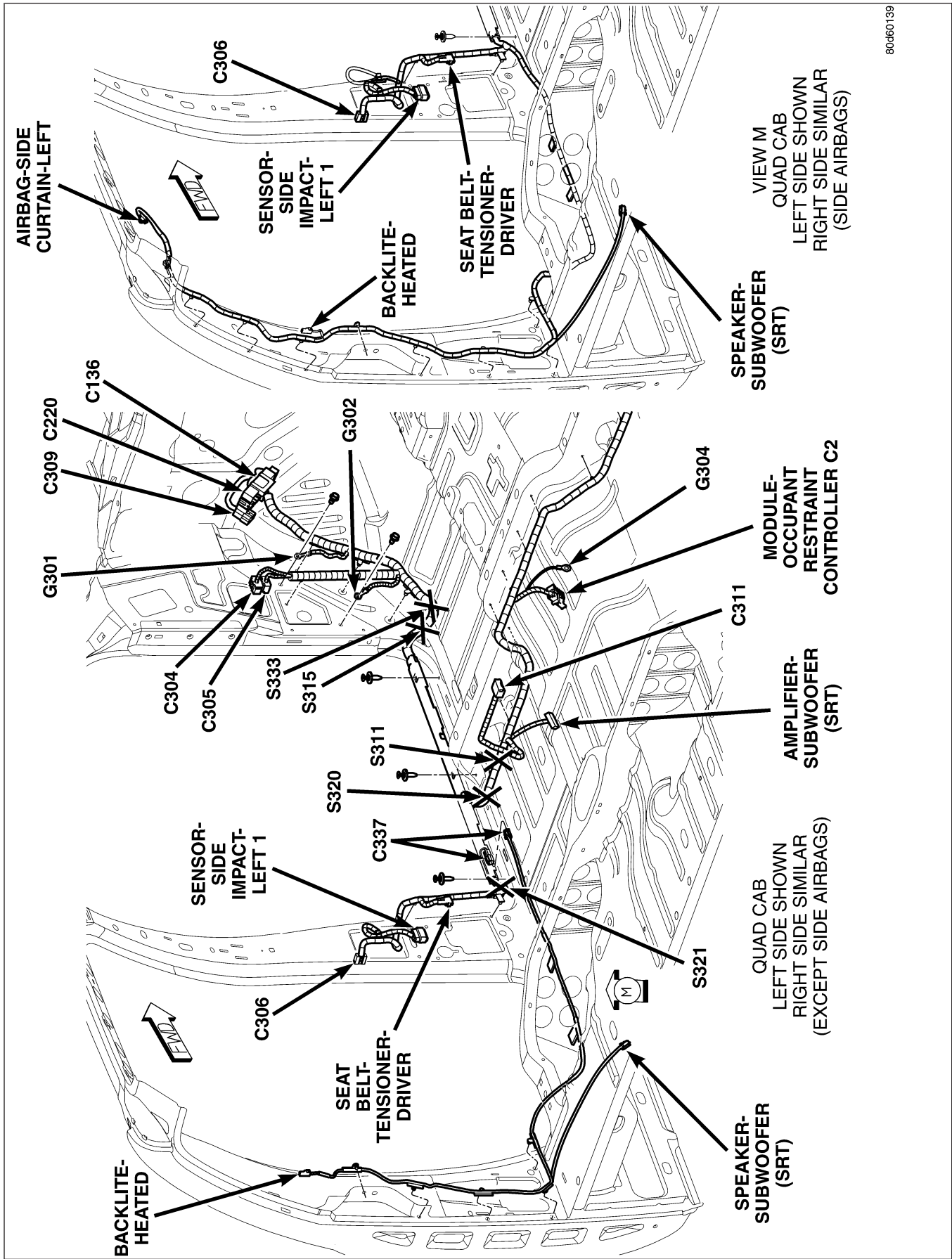


Fig. 63 SATELLITE ANTENNA CABLE



811d8201

Fig. 64 STANDARD CAB RIGHT SIDE BODY



80d60139

Fig. 65 LEFT SIDE BODY - QUAD CAB/MEGA CAB

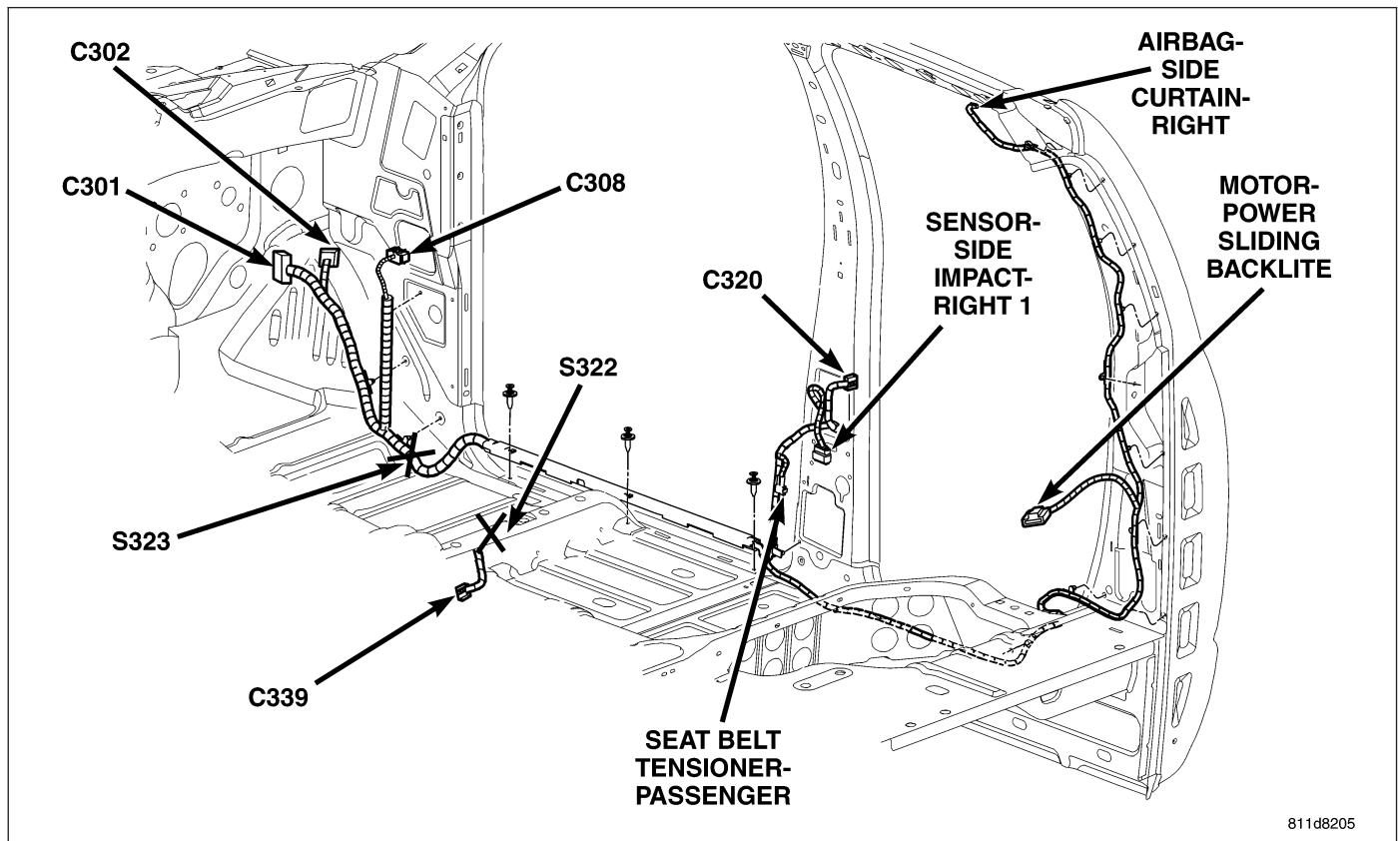


Fig. 66 RIGHT SIDE BODY - QUAD CAB/MEGA CAB

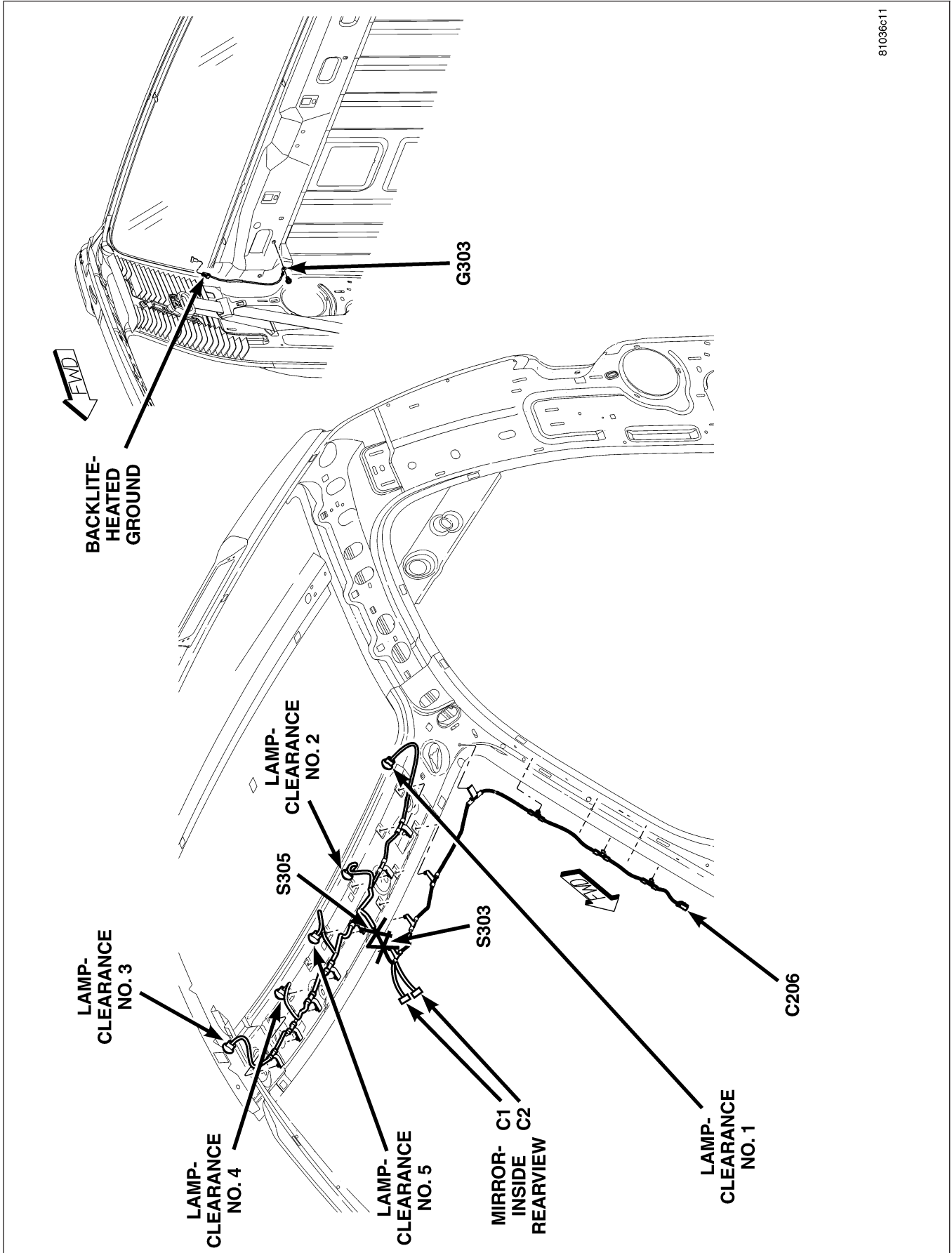


Fig. 67 ROOF

8165a936

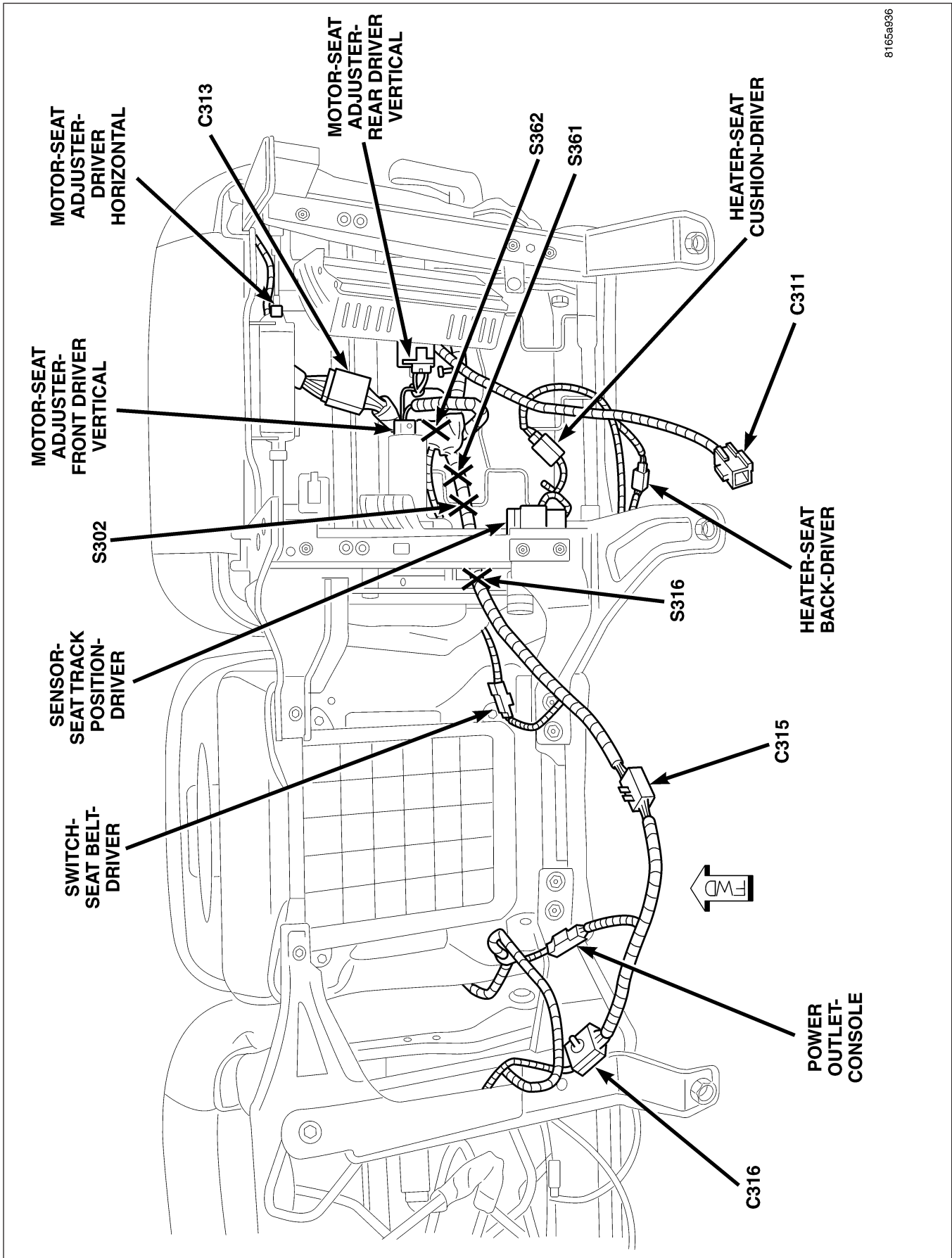


Fig. 68 CENTER AND DRIVER SEAT

8165a93a

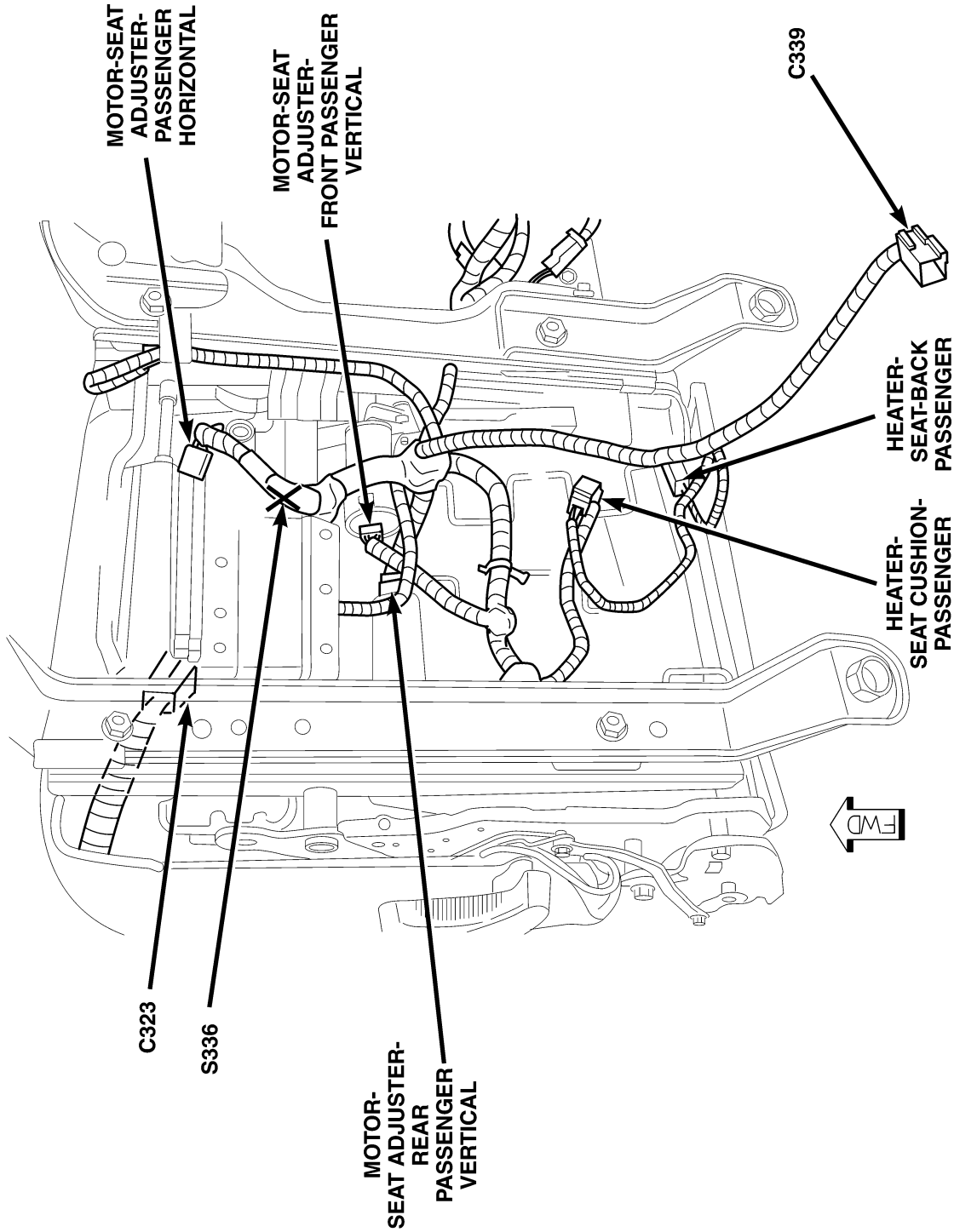


Fig. 69 PASSENGER SEAT

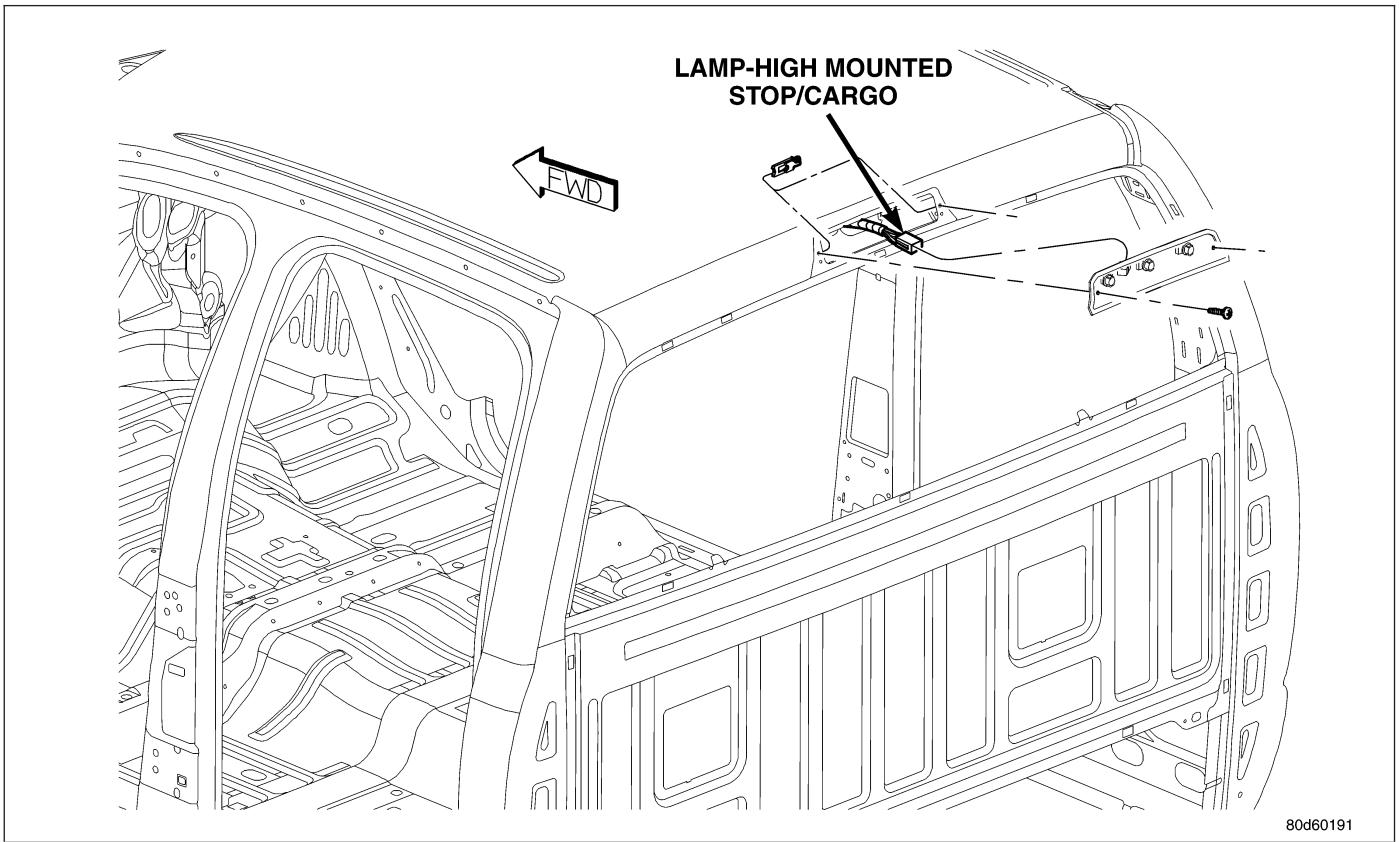


Fig. 70 REAR BODY

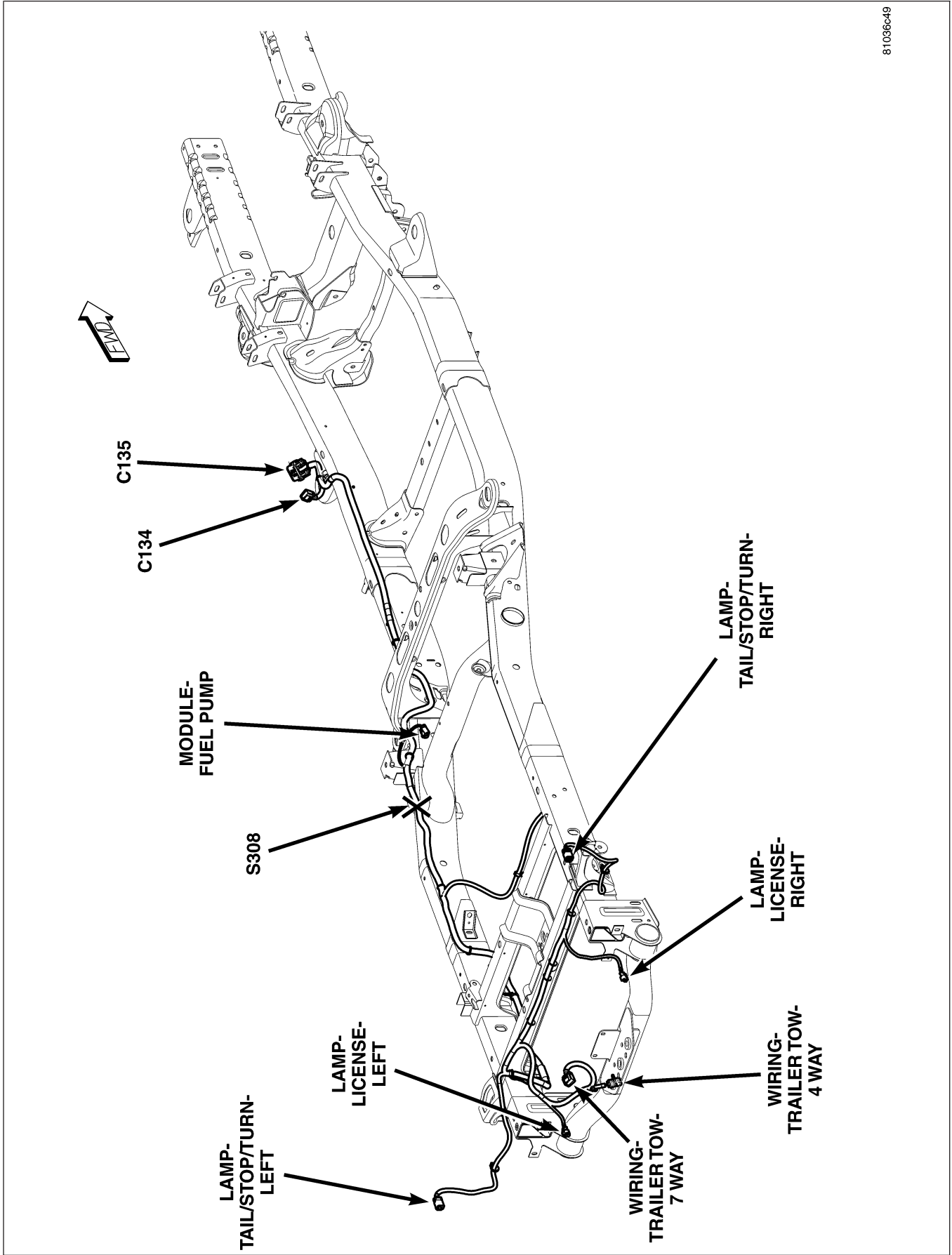


Fig. 71 CHASSIS

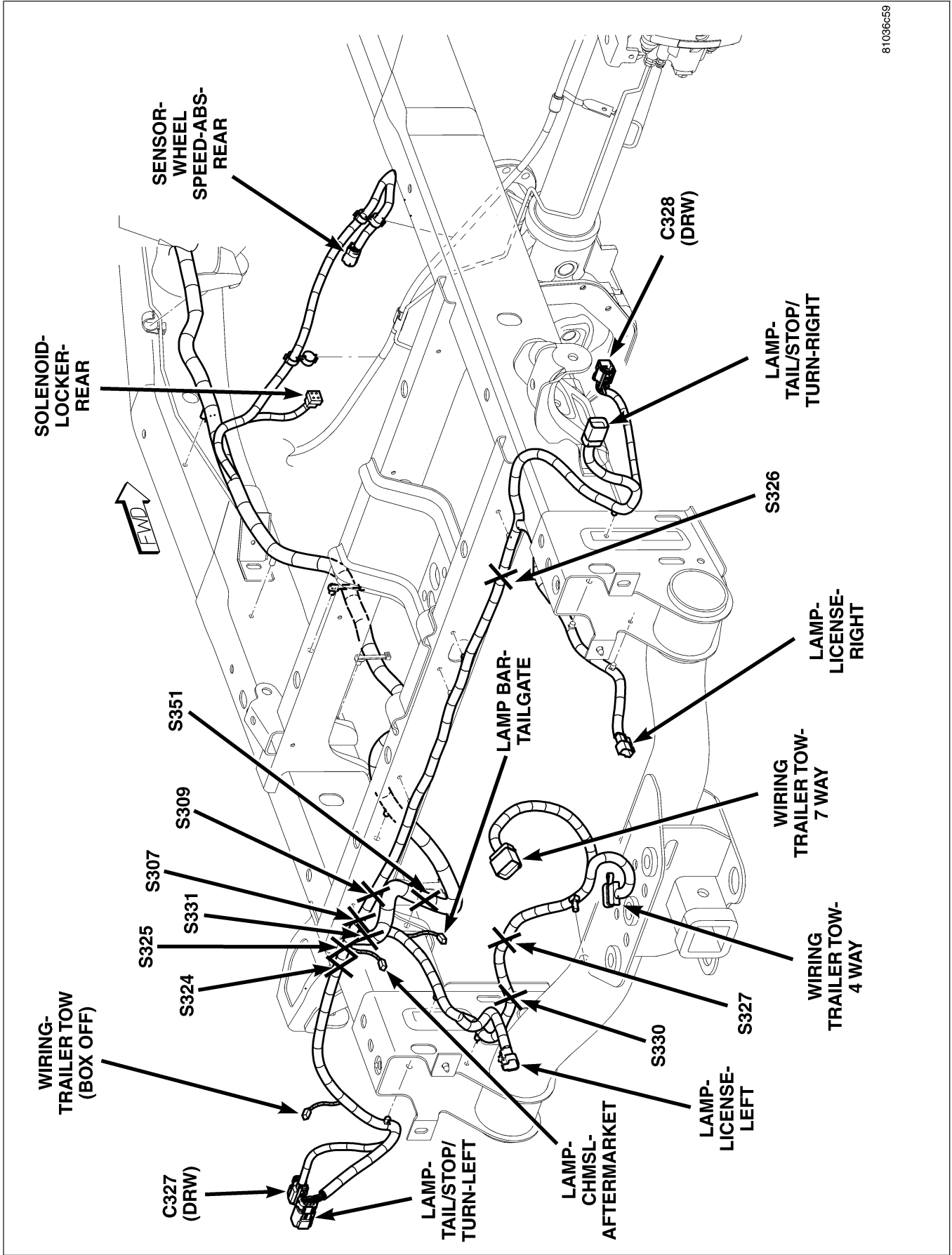


Fig. 72 REAR CHASSIS

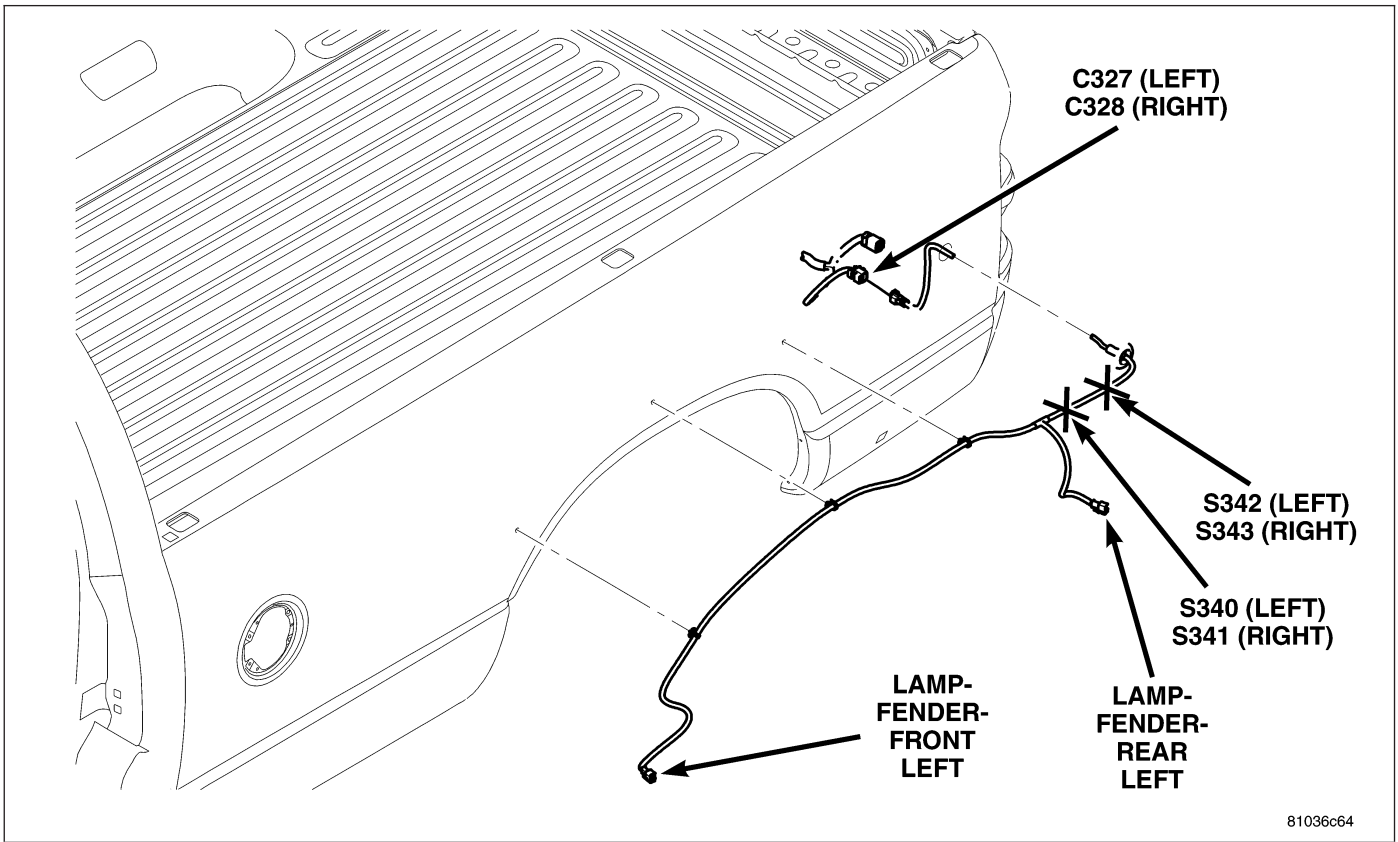


Fig. 73 LEFT REAR FENDER (RIGHT SIDE SIMILAR)

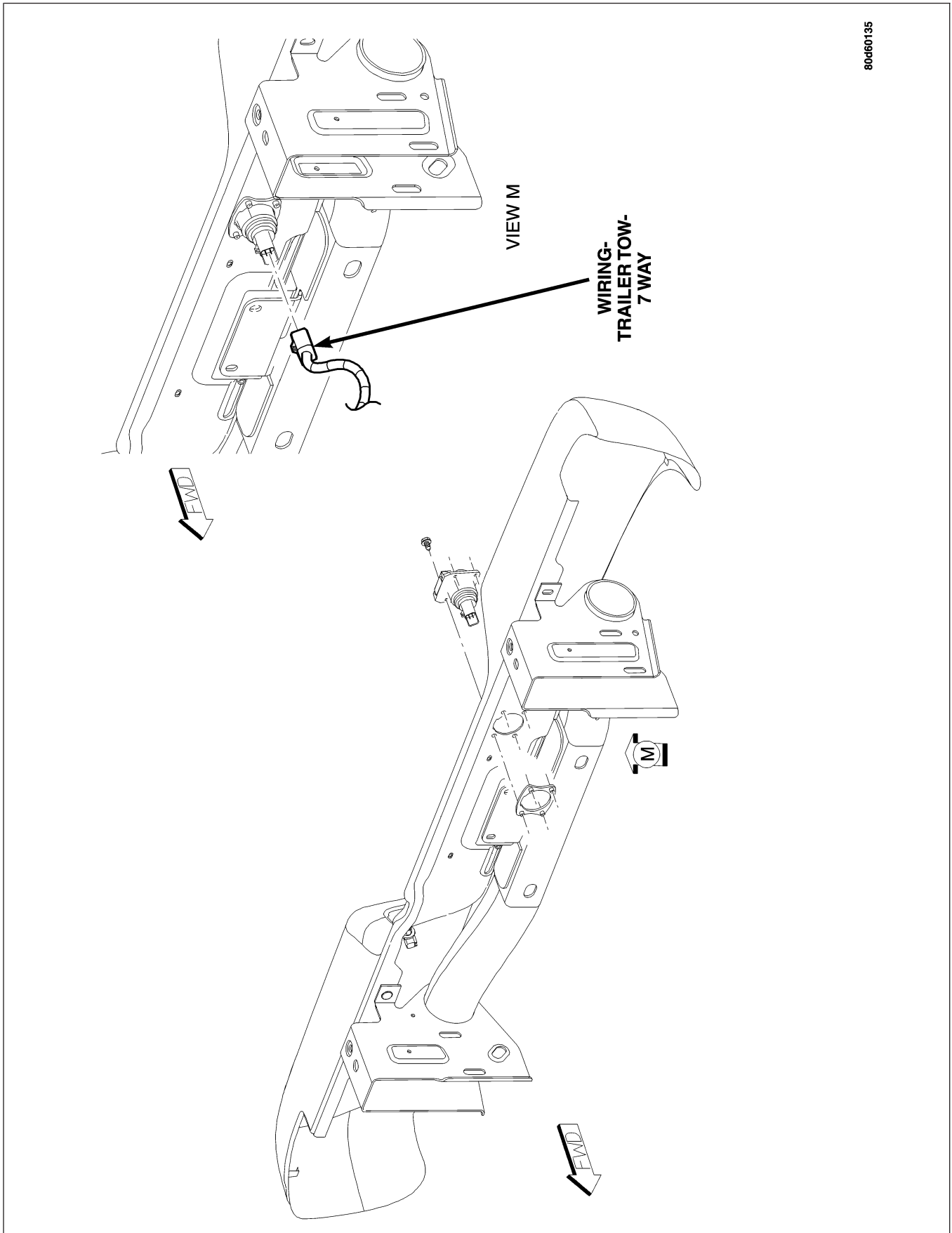


Fig. 74 REAR BUMPER