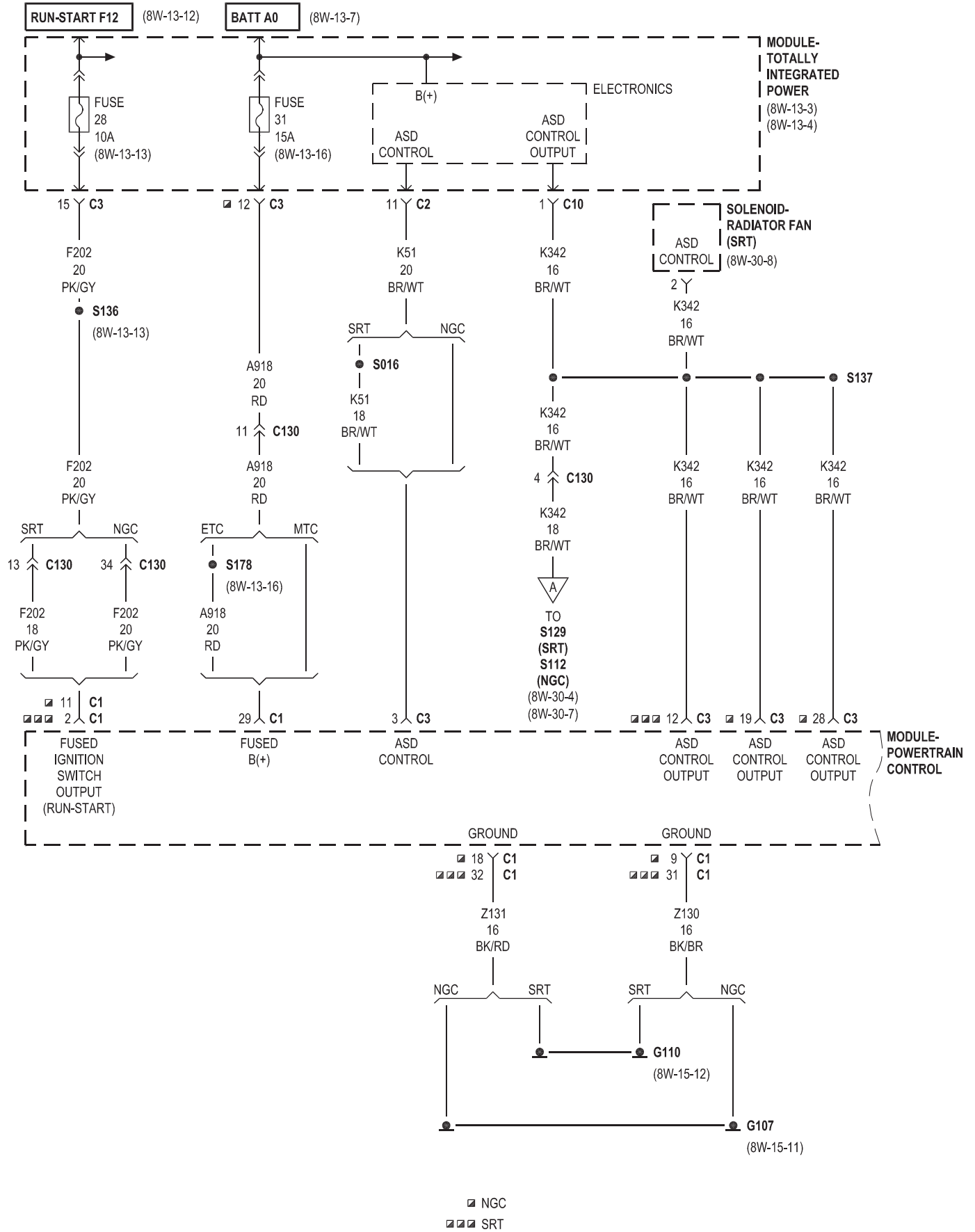
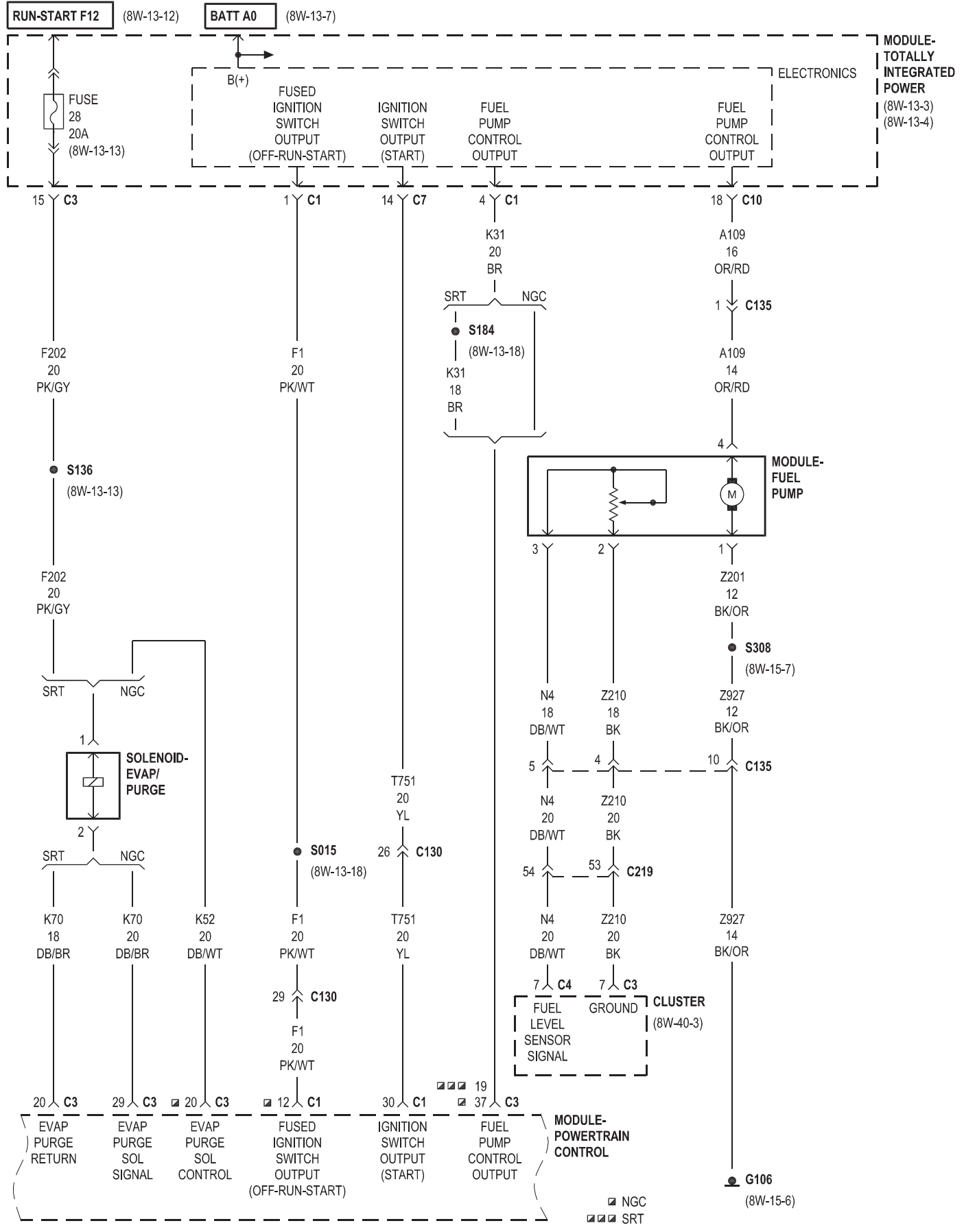
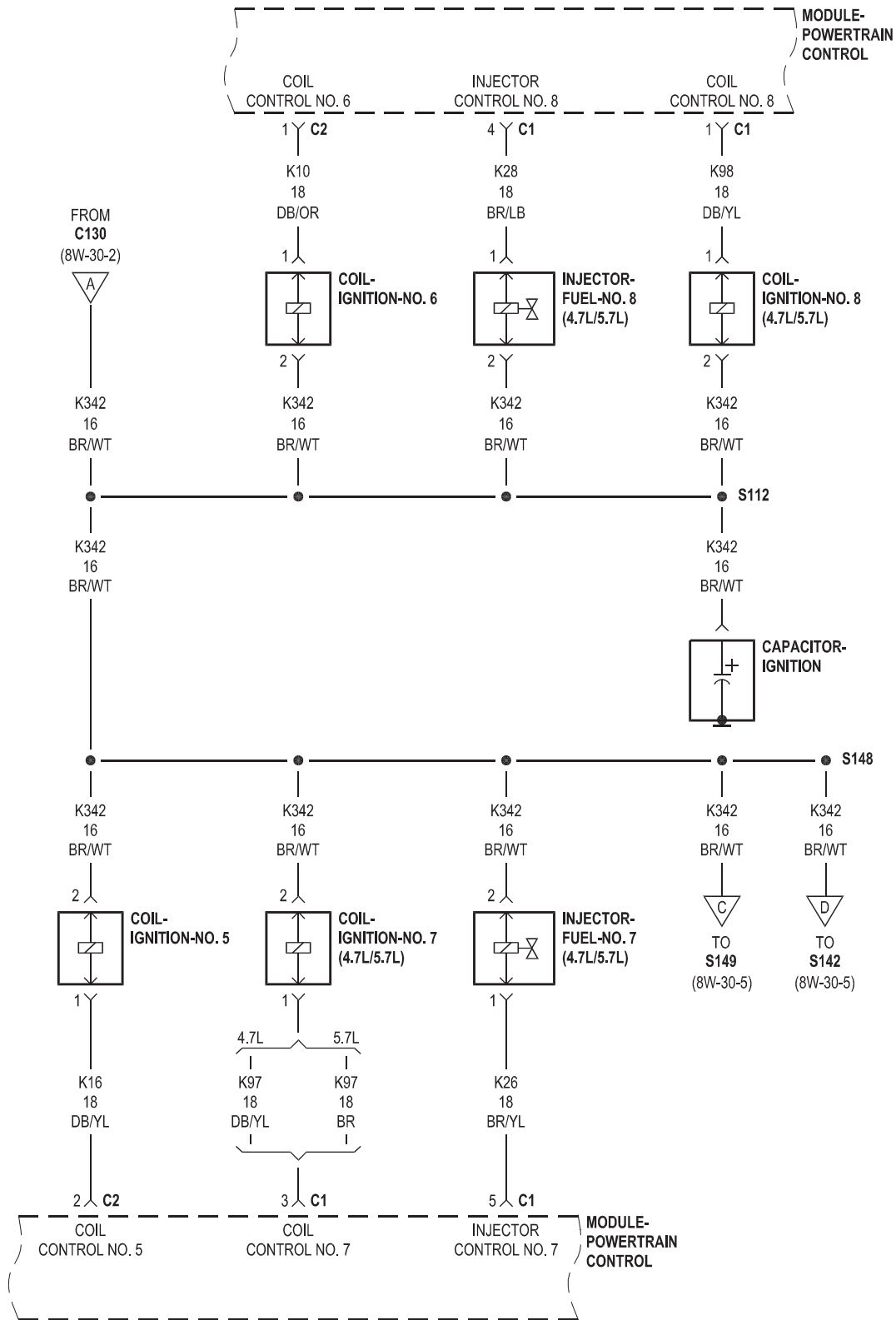


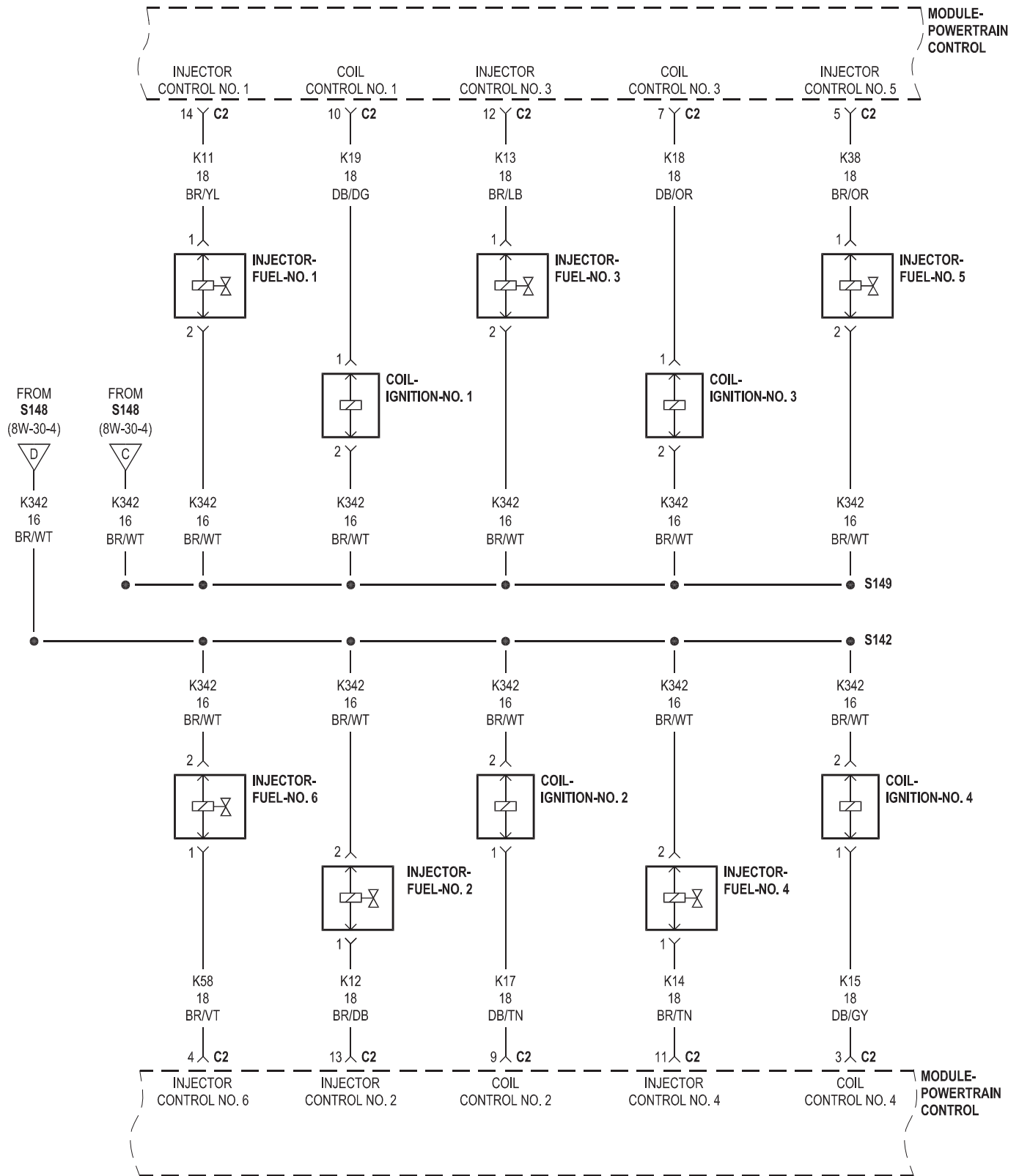
8W-30 FUEL/IGNITION SYSTEM

Component	Page	Component	Page
Assembly-EGR Valve	8W-30-21	Module-Powertrain Control	8W-30-2, 3, 4, 5, 6, 7, 8, 9, 10, 11, 12, 13, 14, 15, 16, 17, 18, 19, 20, 21, 22
Assembly-Natural Vacuum Leak Detection	8W-30-10	Module-Totally Integrated Power	8W-30-2, 3, 12, 17, 18, 23, 24, 28, 31
Battery-Auxiliary	8W-30-23	Motor-IAC	8W-30-12
Capacitor-Ignition	8W-30-4	Pump-Fuel Injection	8W-30-24
Clockspring	8W-30-11, 22, 31	Pump-Leak Detection	8W-30-10
Cluster	8W-30-3, 24	Relay-Intake Air Heater	8W-30-23
Coil-Ignition-Left	8W-30-8	Sensor-Accelerator Pedal Position	8W-30-22, 30
Coil-Ignition-No. 1	8W-30-5	Sensor-Battery Temperature	8W-30-23
Coil-Ignition-No. 2	8W-30-5	Sensor-Camshaft Position	8W-30-13, 29
Coil-Ignition-No. 3	8W-30-5	Sensor-Crankshaft Position	8W-30-13, 29
Coil-Ignition-No. 4	8W-30-5	Sensor-Engine Coolant Temperature	8W-30-19, 20, 28
Coil-Ignition-No. 5	8W-30-4	Sensor-Engine Oil Pressure	8W-30-9
Coil-Ignition-No. 6	8W-30-4	Sensor-Engine Oil Temperature	8W-30-19, 20
Coil-Ignition-No. 7	8W-30-4	Sensor-Intake Air Temperature	8W-30-19, 20
Coil-Ignition-No. 8	8W-30-4	Sensor-Knock	8W-30-14
Coil-Ignition-Right	8W-30-8	Sensor-Knock No. 1	8W-30-14
Data Link Connector	8W-30-12	Sensor-Knock No. 2	8W-30-14
Drive-Fan-Radiator	8W-30-27, 28	Sensor-MAP	8W-30-19, 20
Electronics	8W-30-2, 3, 12, 17, 18, 24, 28, 31	Sensor-Oxygen-Left Front	8W-30-16, 18
Fuse 28	8W-30-2, 3, 23	Sensor-Oxygen-Left Rear	8W-30-15, 17
Fuse 31	8W-30-2	Sensor-Oxygen-Right Front	8W-30-16, 18
Fuse 42	8W-30-23	Sensor-Oxygen-Right Rear	8W-30-15, 17
Fuse 6	8W-30-28	Sensor-Temperature/Pressure Intake	8W-30-27
Fusible Link	8W-30-23	Sensor-Temperature/Pressure-MAP	8W-30-29
G104	8W-30-11	Sensor-Throttle Position	8W-30-9
G106	8W-30-3, 8, 23, 24	Sensor-Water In Fuel	8W-30-24
G107	8W-30-2, 6, 10, 15, 16, 21	Servo-Speed Control	8W-30-11
G110	8W-30-2, 17	Solenoid-EVAP/Purge	8W-30-3
G114	8W-30-23, 24	Solenoid-Multiple Displacement No. 1	8W-30-6
G201	8W-30-10, 20	Solenoid-Multiple Displacement No. 4	8W-30-6
Gauge-Engine Oil Temperature	8W-30-20	Solenoid-Multiple Displacement No. 6	8W-30-6
Generator	8W-30-10, 29	Solenoid-Multiple Displacement No. 7	8W-30-6
Heater-Fuel	8W-30-24	Solenoid-Radiator Fan	8W-30-2, 8
Heater-Intake Air	8W-30-23	Solenoid-Wastegate	8W-30-28
Injector-Fuel-No. 1	8W-30-5, 7, 25	Switch-Oil Pressure	8W-30-9, 29
Injector-Fuel-No. 10	8W-30-7	Switch-PTO	8W-30-10
Injector-Fuel-No. 2	8W-30-5, 7, 25	Switch-Power Steering Pressure	8W-30-10
Injector-Fuel-No. 3	8W-30-5, 7, 25	Switch-Speed Control-Left	8W-30-11, 22, 31
Injector-Fuel-No. 4	8W-30-5, 7, 26	Switch-Speed Control-Right	8W-30-11, 22, 31
Injector-Fuel-No. 5	8W-30-5, 7, 26	Switch-Stop Lamp	8W-30-11, 31
Injector-Fuel-No. 6	8W-30-5, 7, 26	Switch-Tow/Haul Overdrive	8W-30-10
Injector-Fuel-No. 7	8W-30-4, 7	Throttle Body	8W-30-9
Injector-Fuel-No. 8	8W-30-4, 7	Transducer-A/C Pressure	8W-30-19, 20
Injector-Fuel-No. 9	8W-30-7		
Module-Anti-Lock Brakes	8W-30-10, 11, 31		
Module-Engine Control	8W-30-23, 24, 25, 26, 27, 28, 29, 30, 31		
Module-Fuel Pump	8W-30-3, 24		

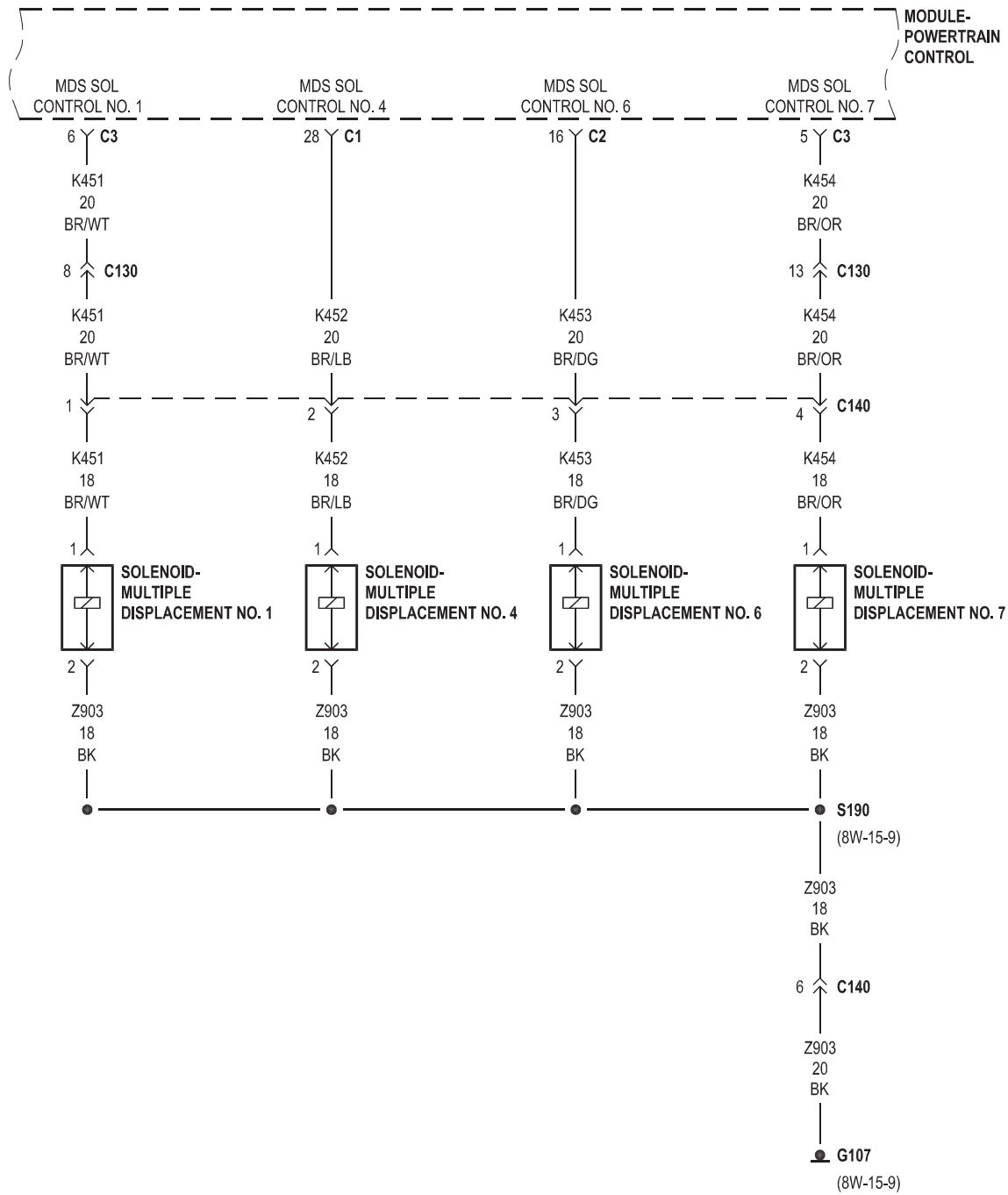


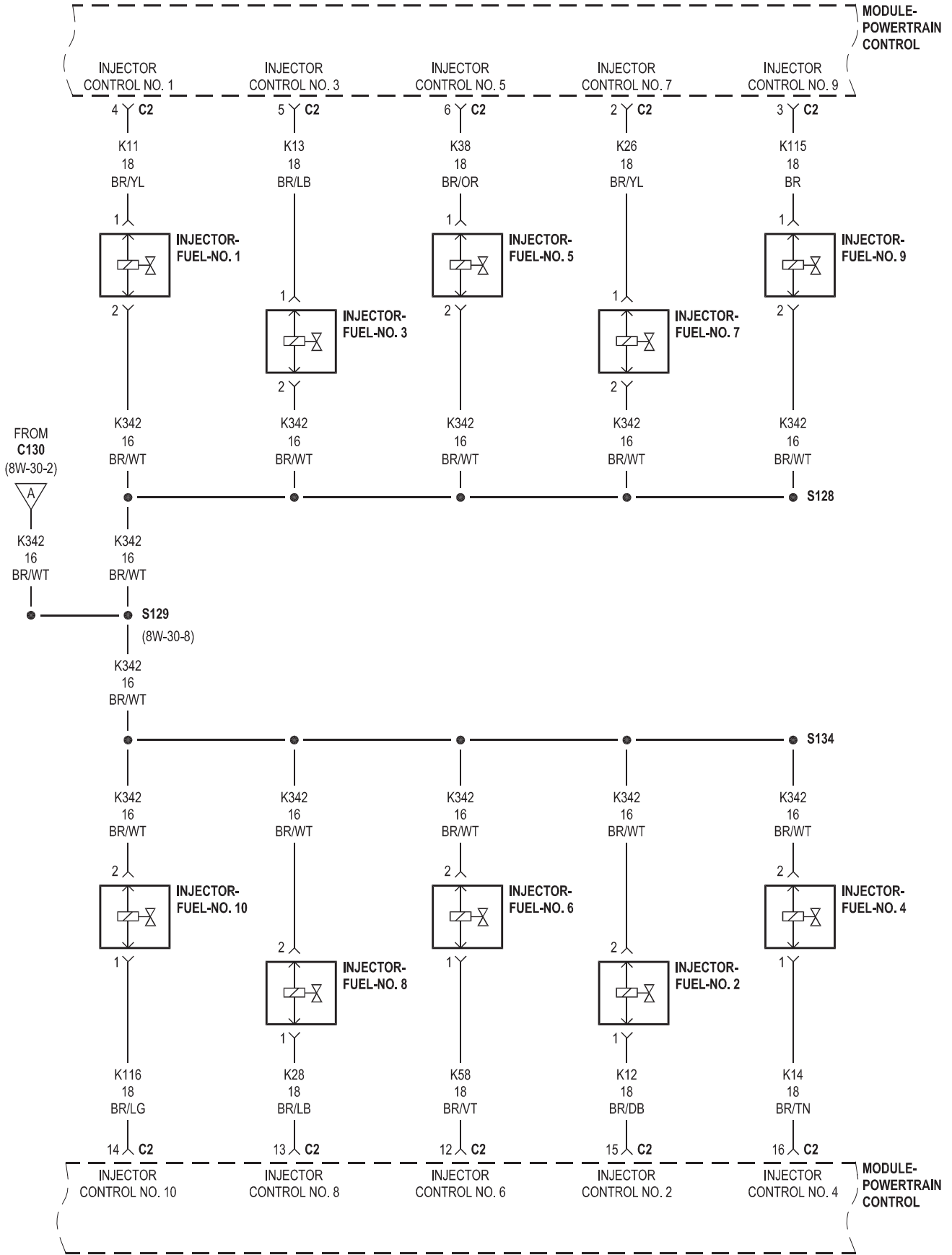


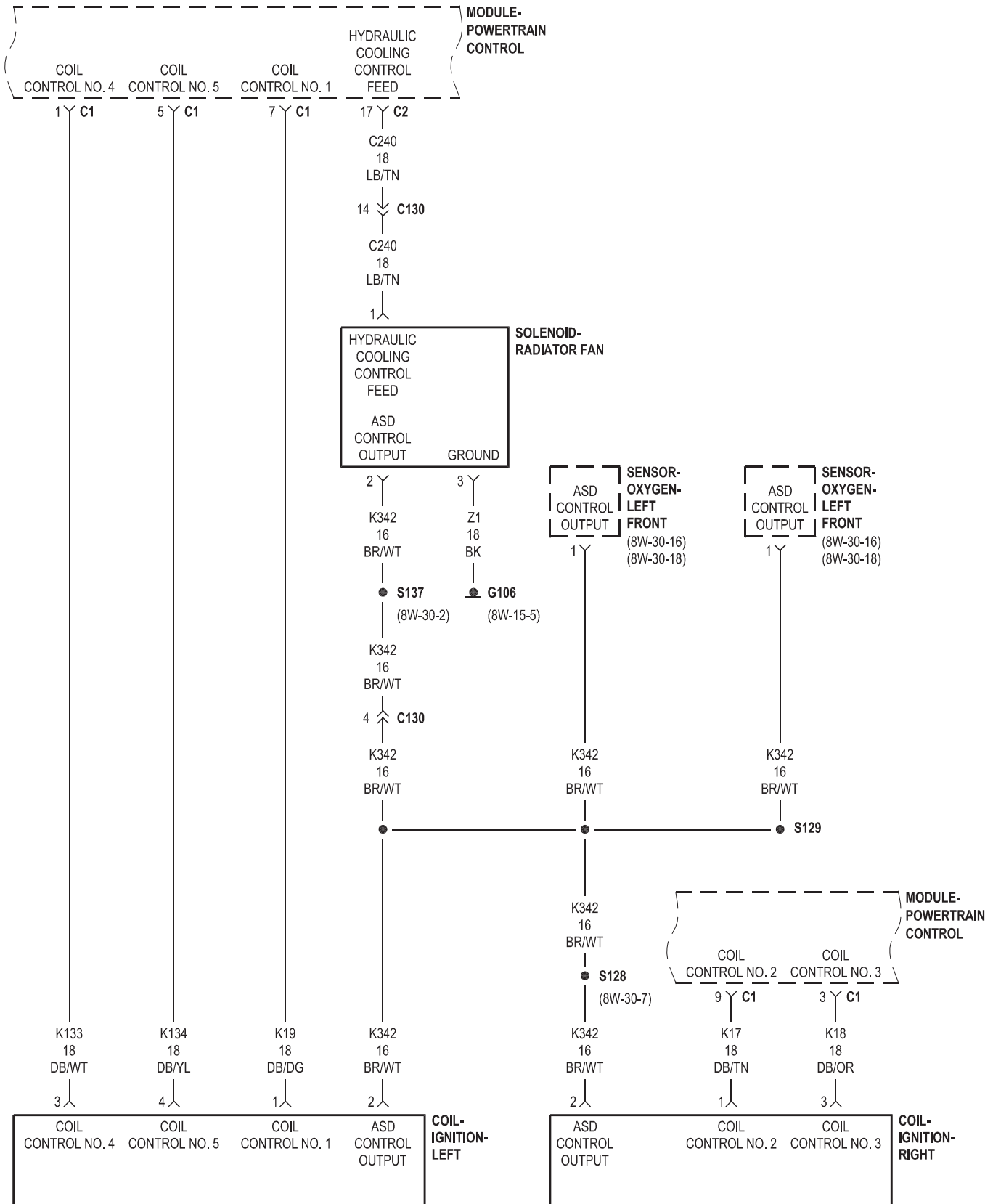


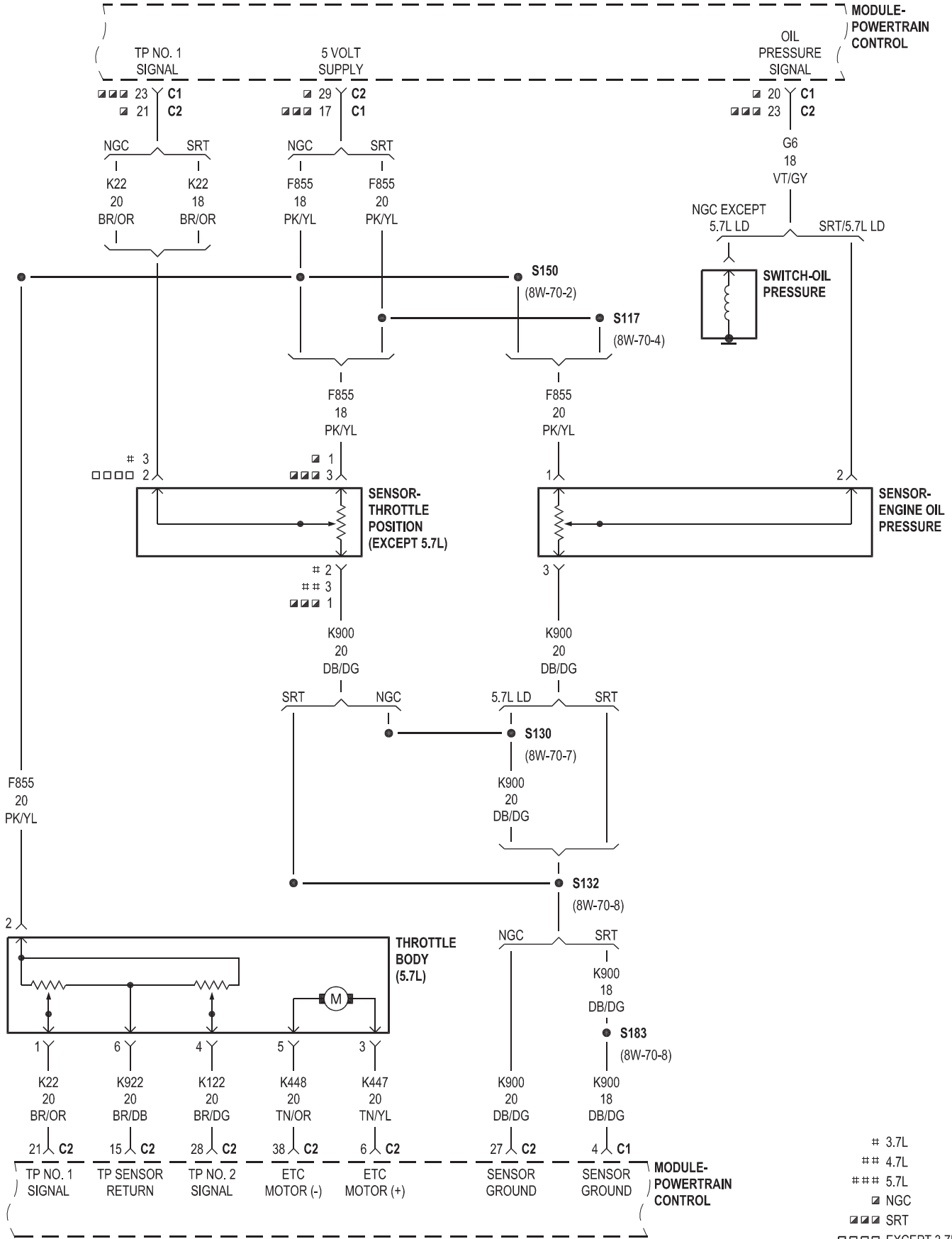


5.7L

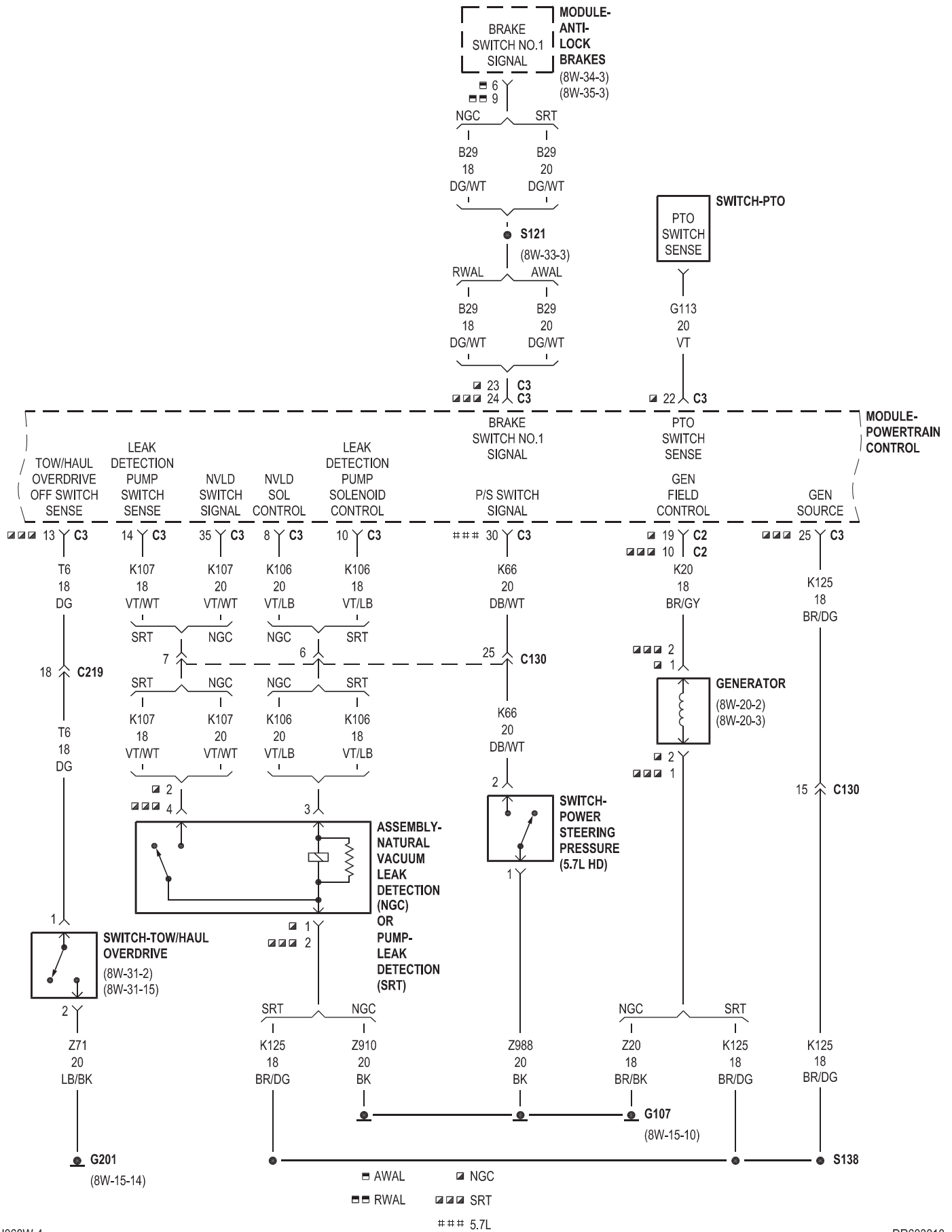


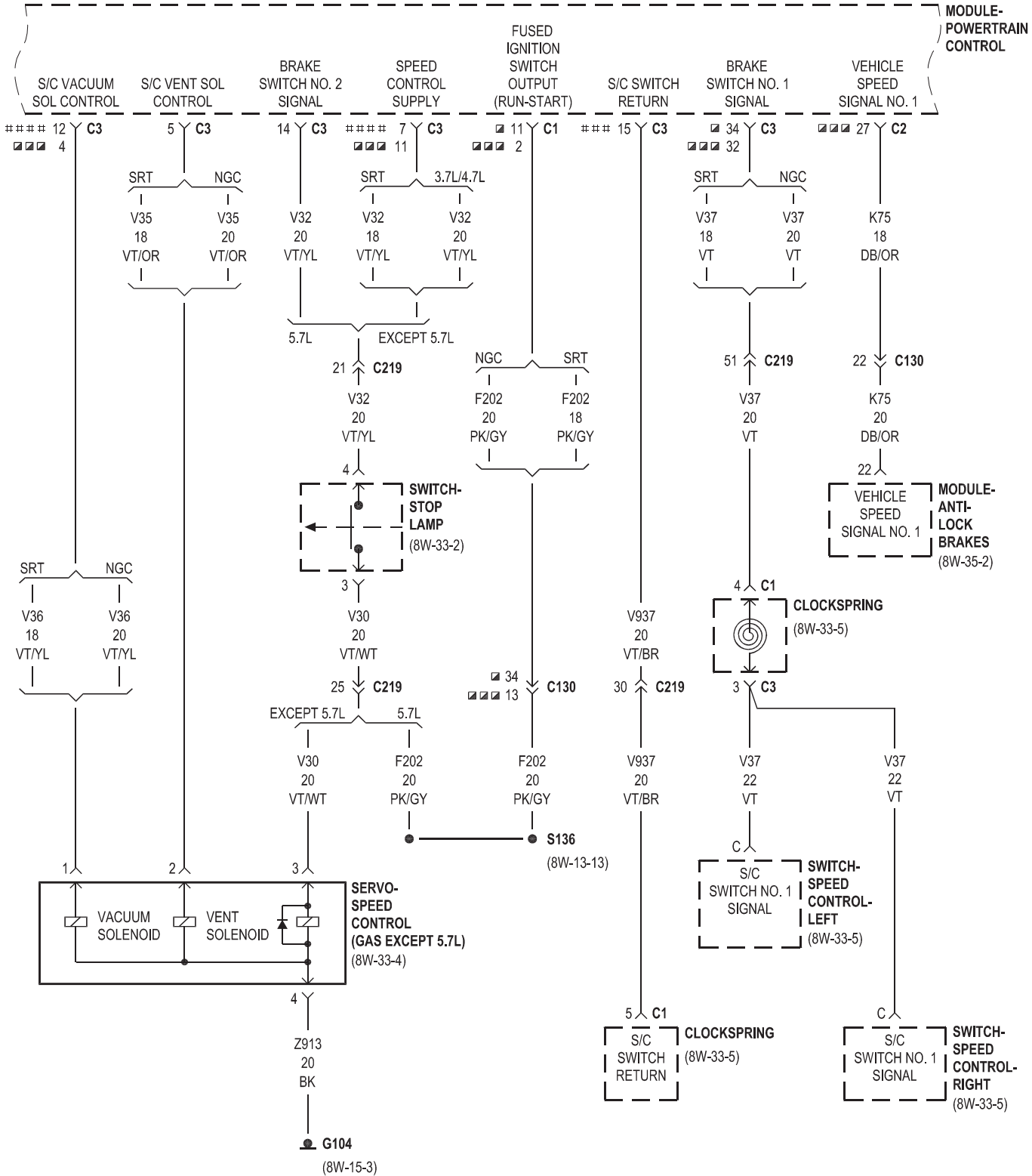




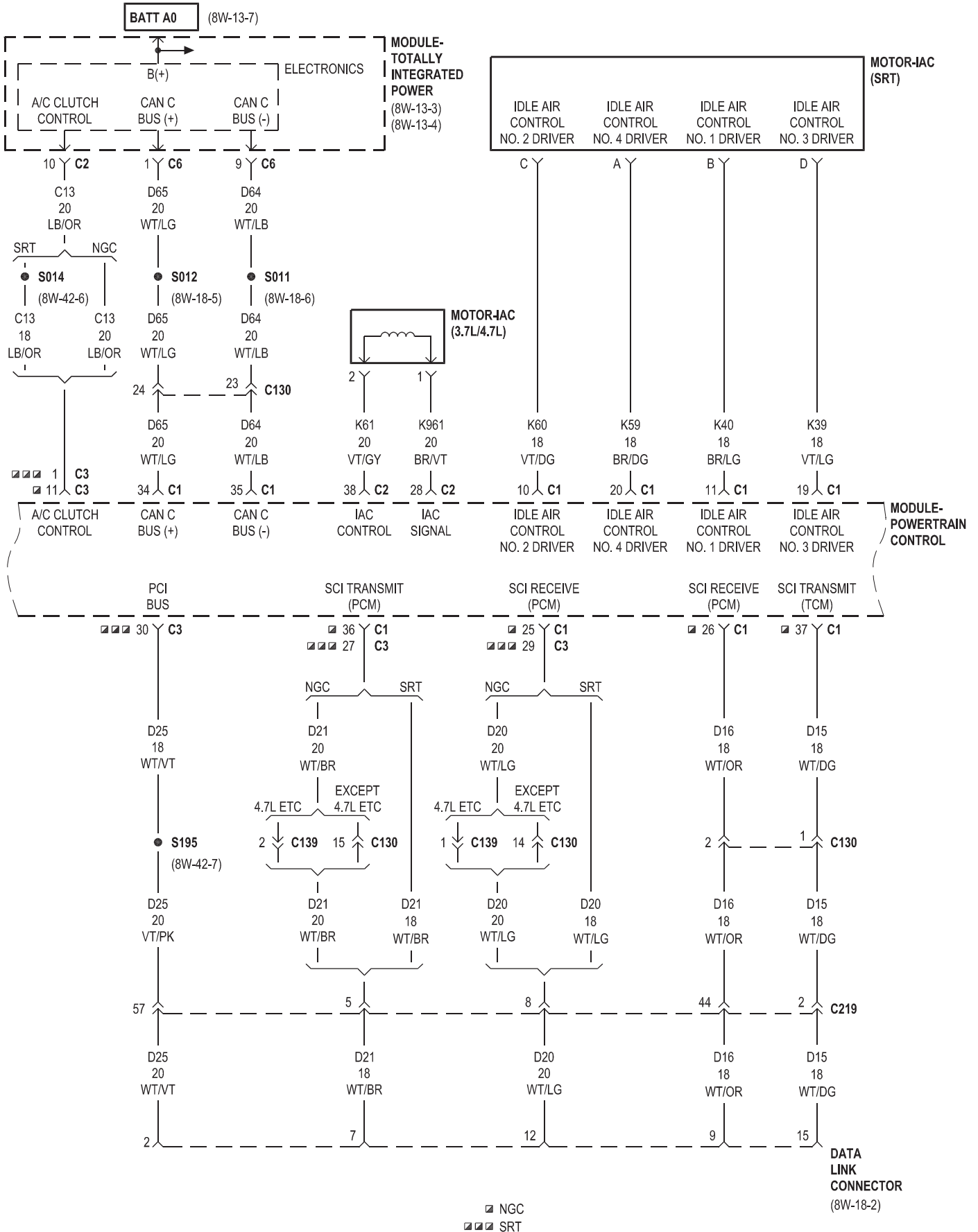


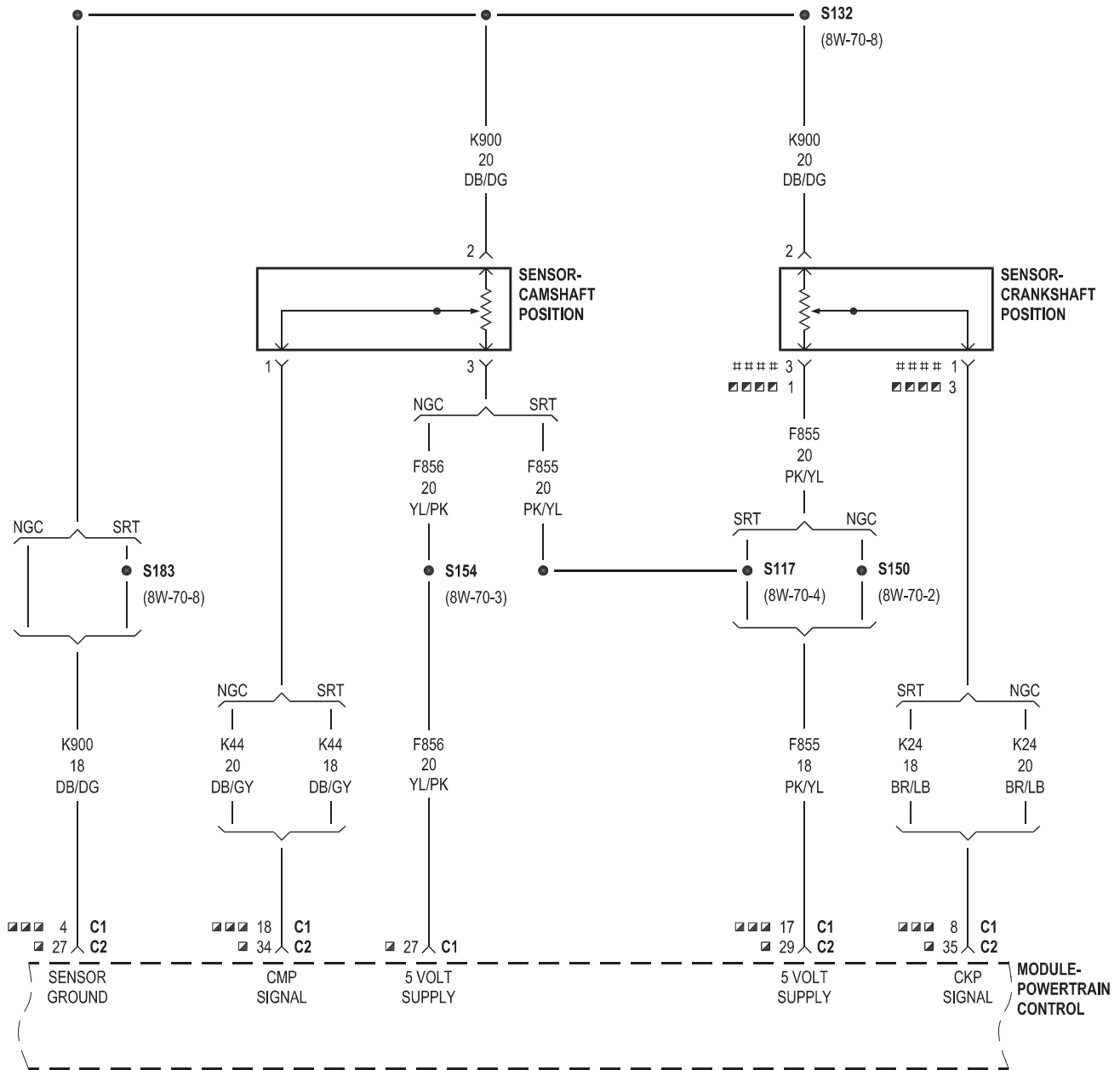
GAS



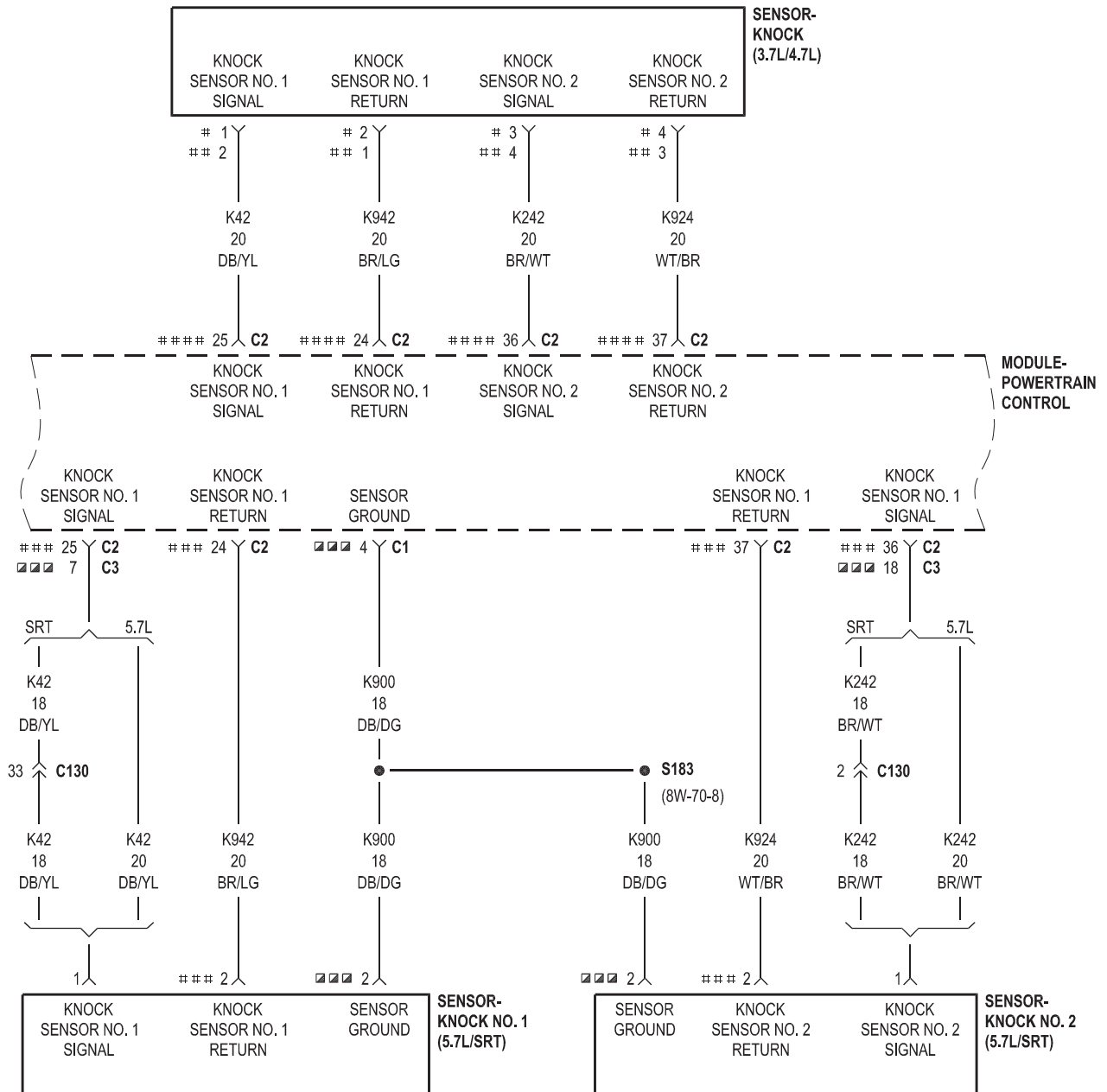


■ NGC
 ■■■ SRT
 ##### 3.7L/4.7L
 ### 5.7L

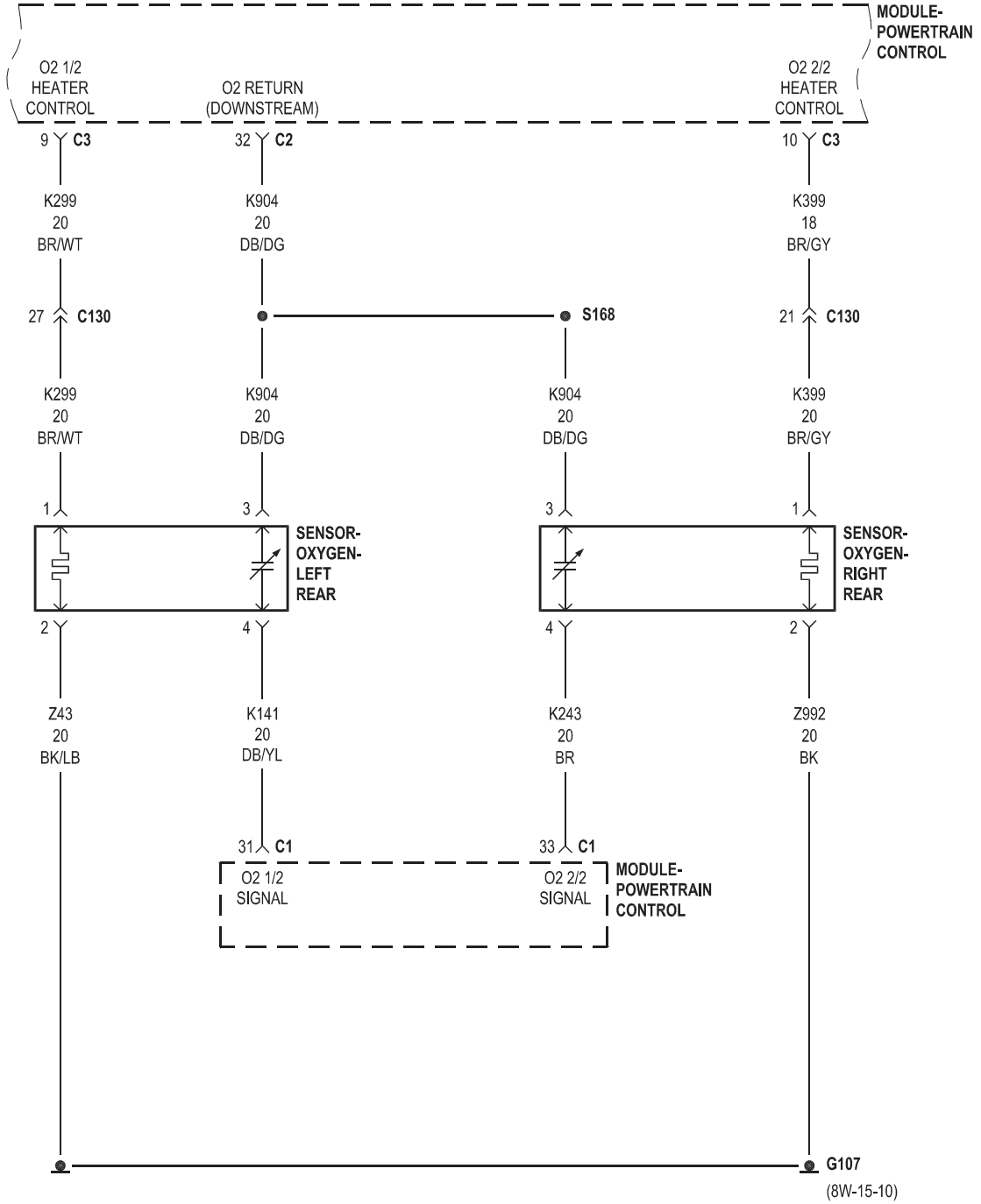


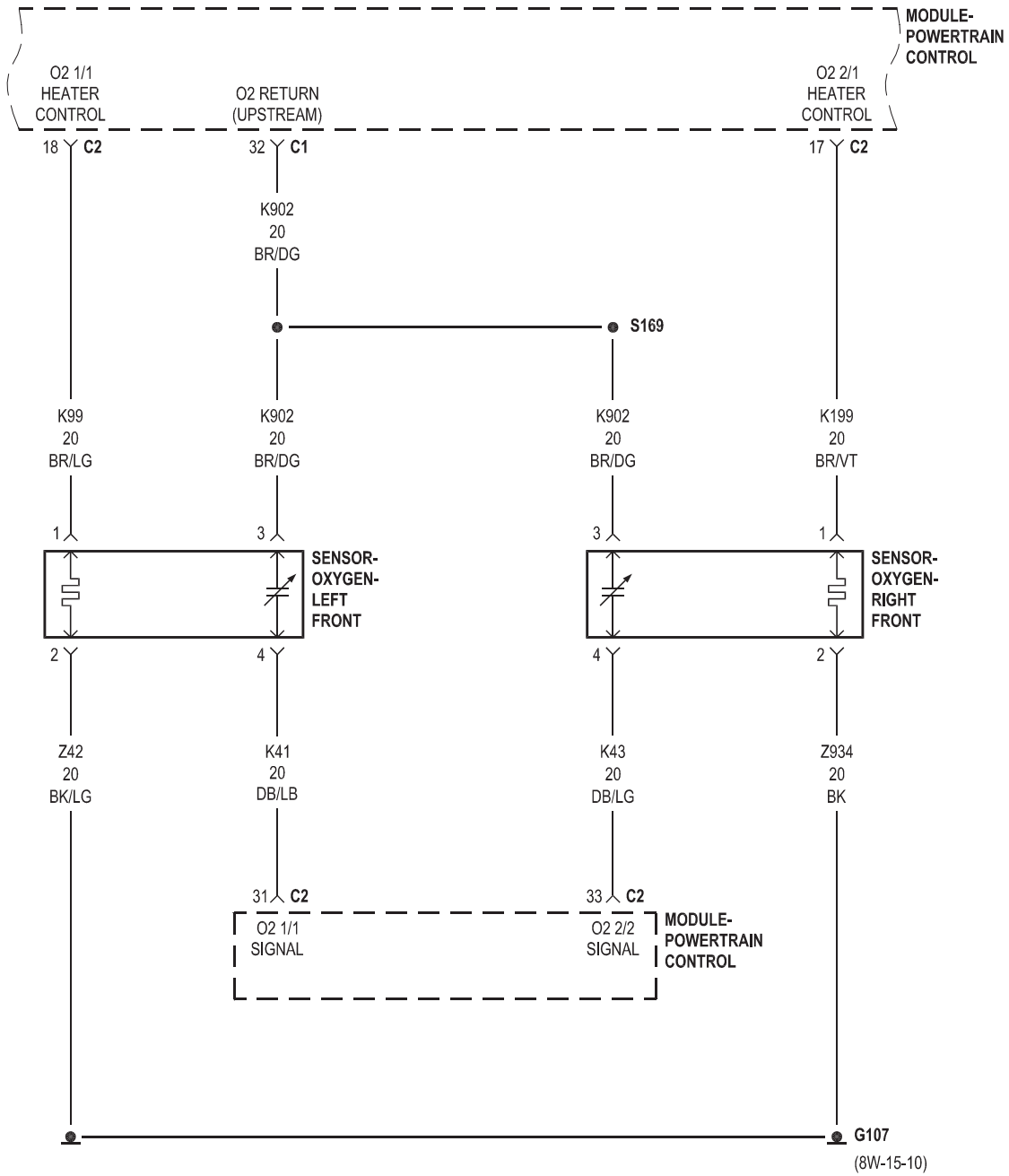


■ NGC
 ■■ SRT
 ■■■ EXCEPT 3.7L/4.7L
 ##### 3.7L/4.7L

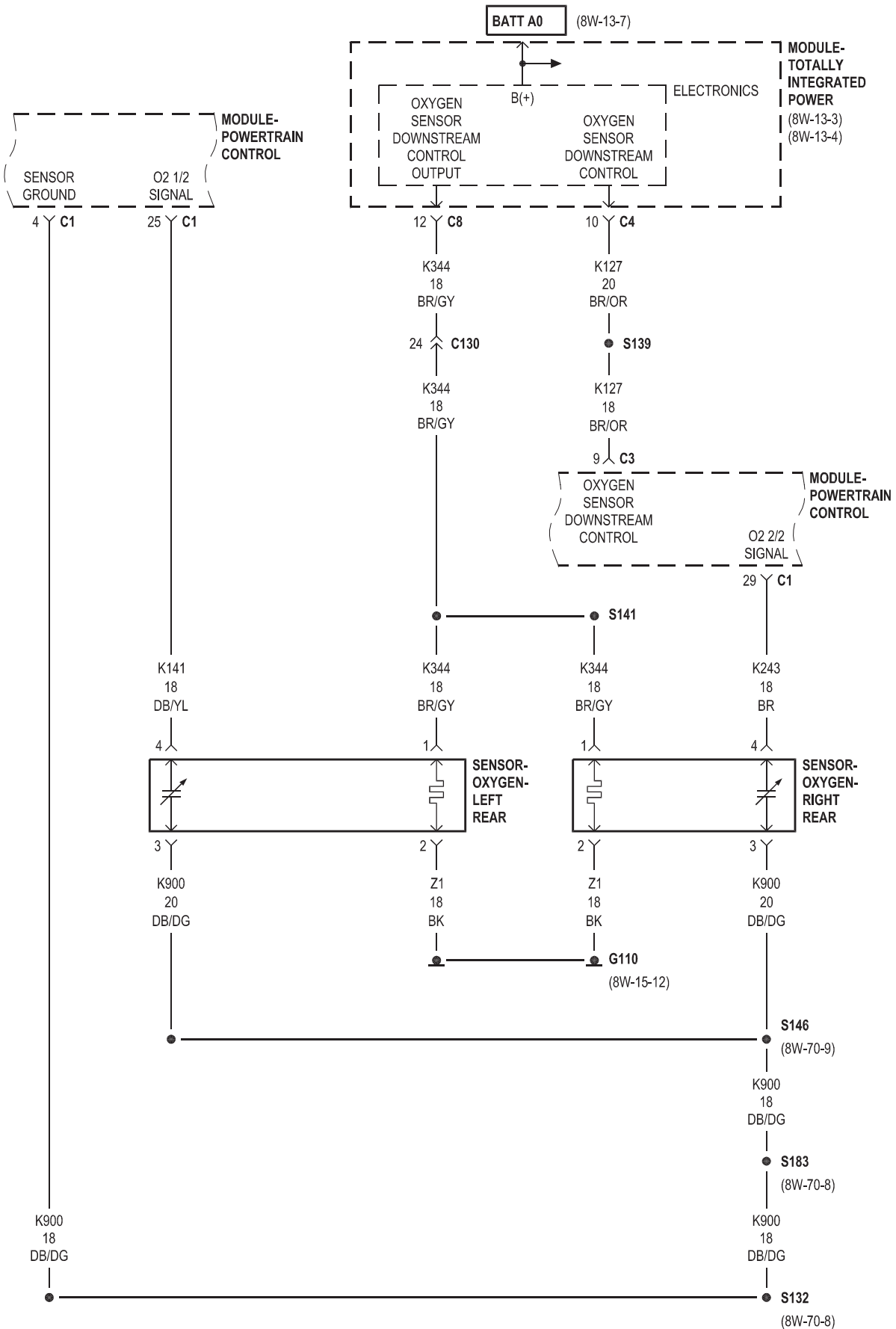


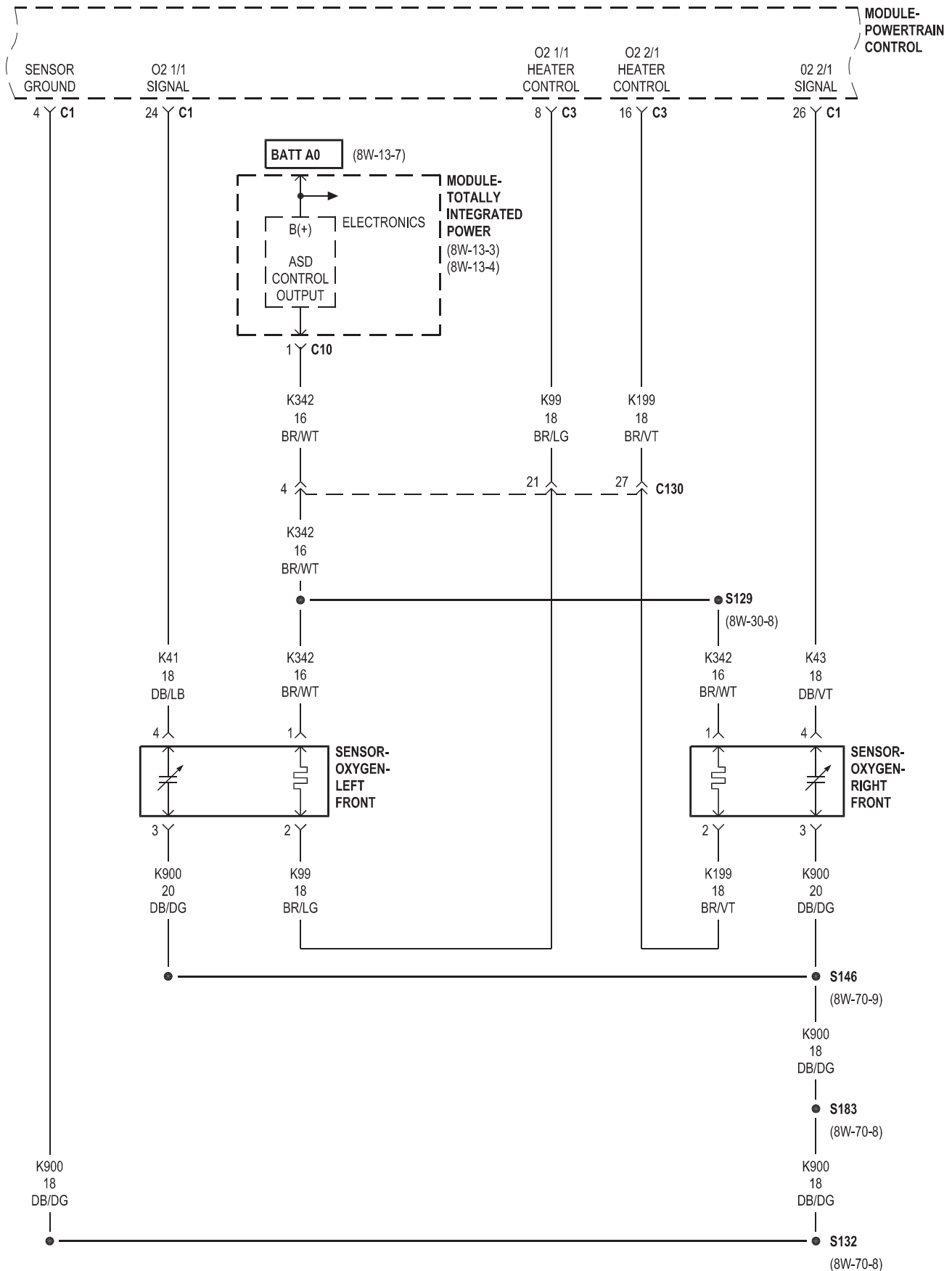
- # 3.7L
- ## 4.7L
- ### 5.7L
- #### 3.7L/4.7L
- ### SRT

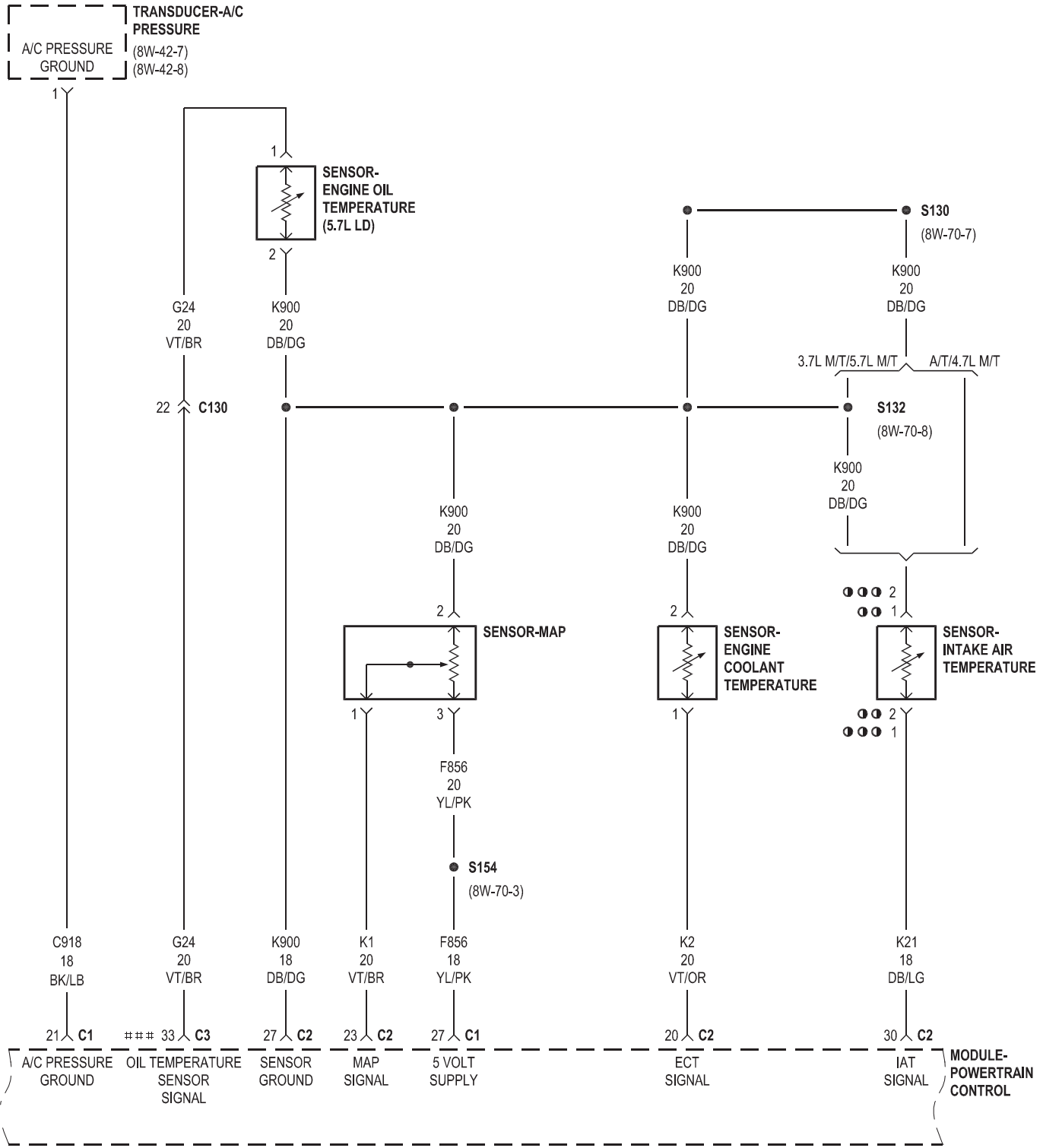




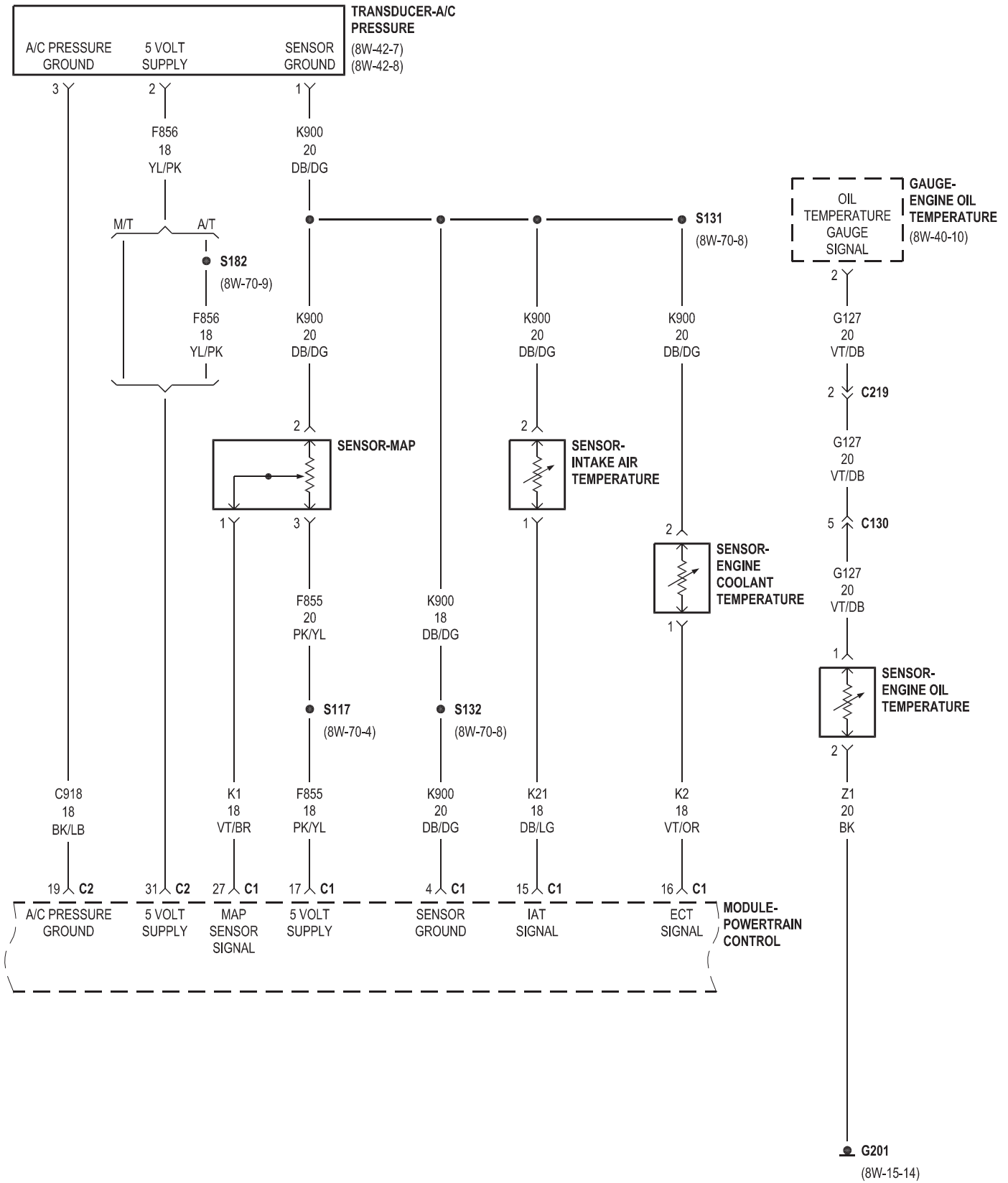
SRT

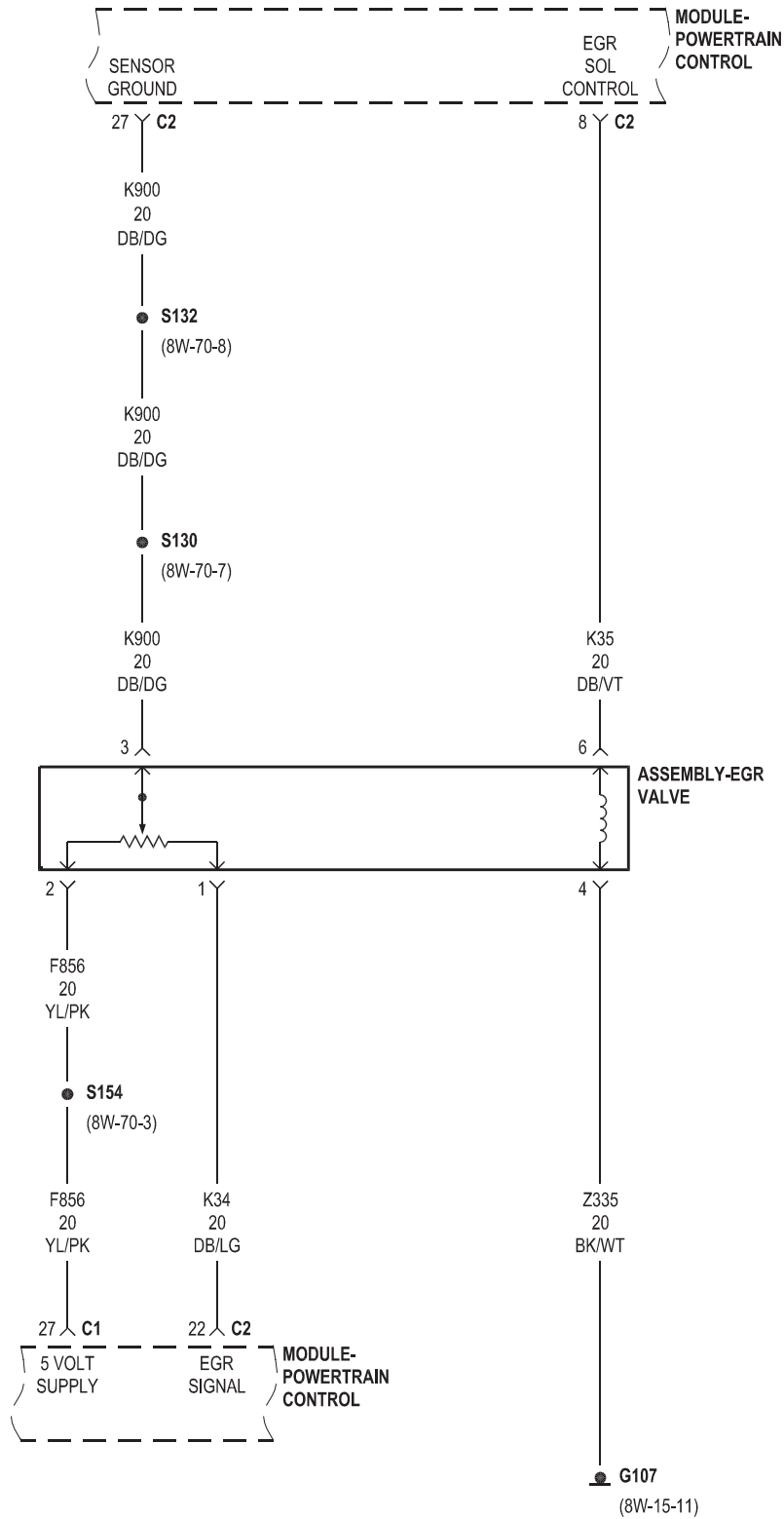






●● 3.7L A/T
 ●●● EXCEPT 3.7L A/T
 ### 5.7L





5.7L

