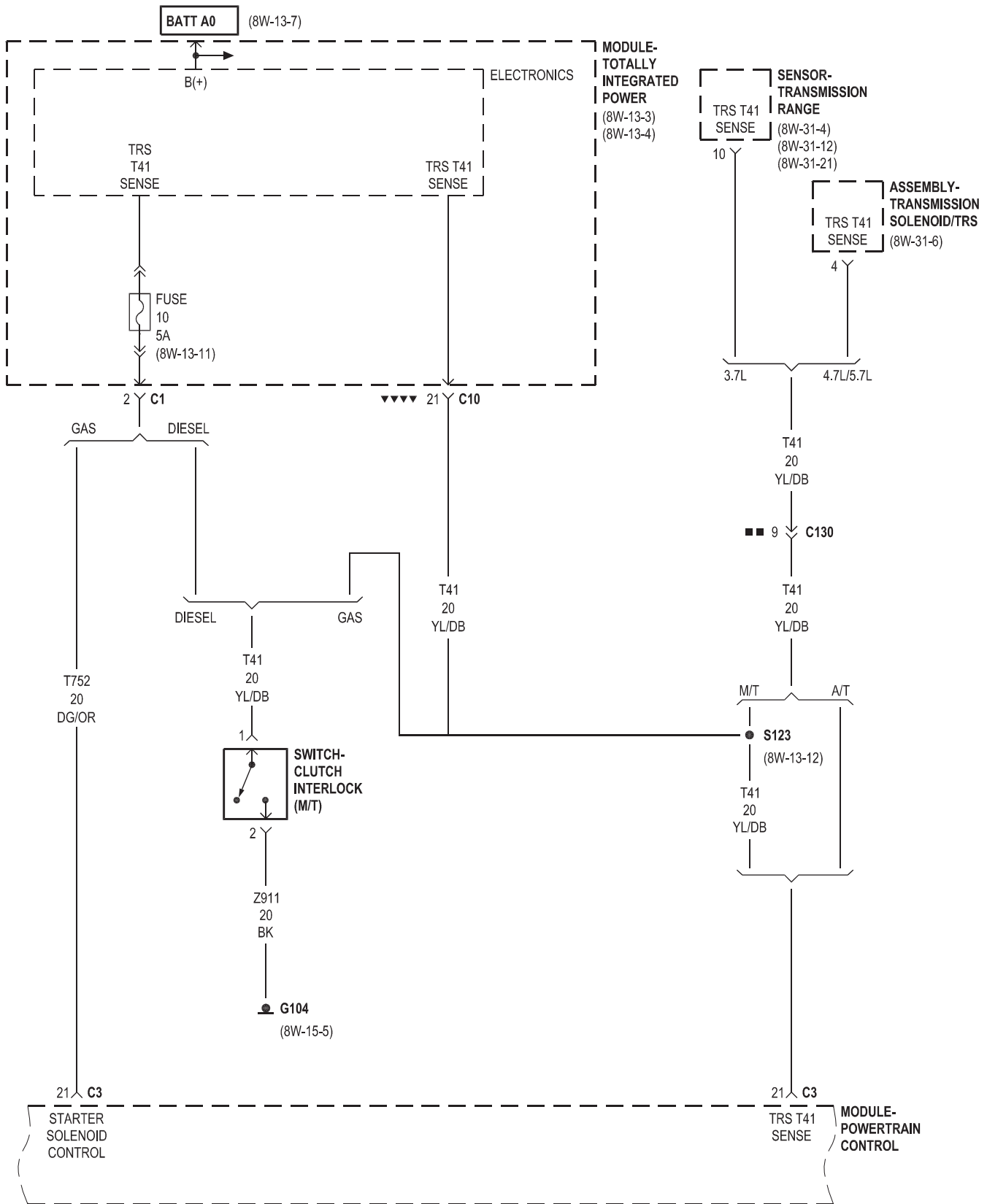
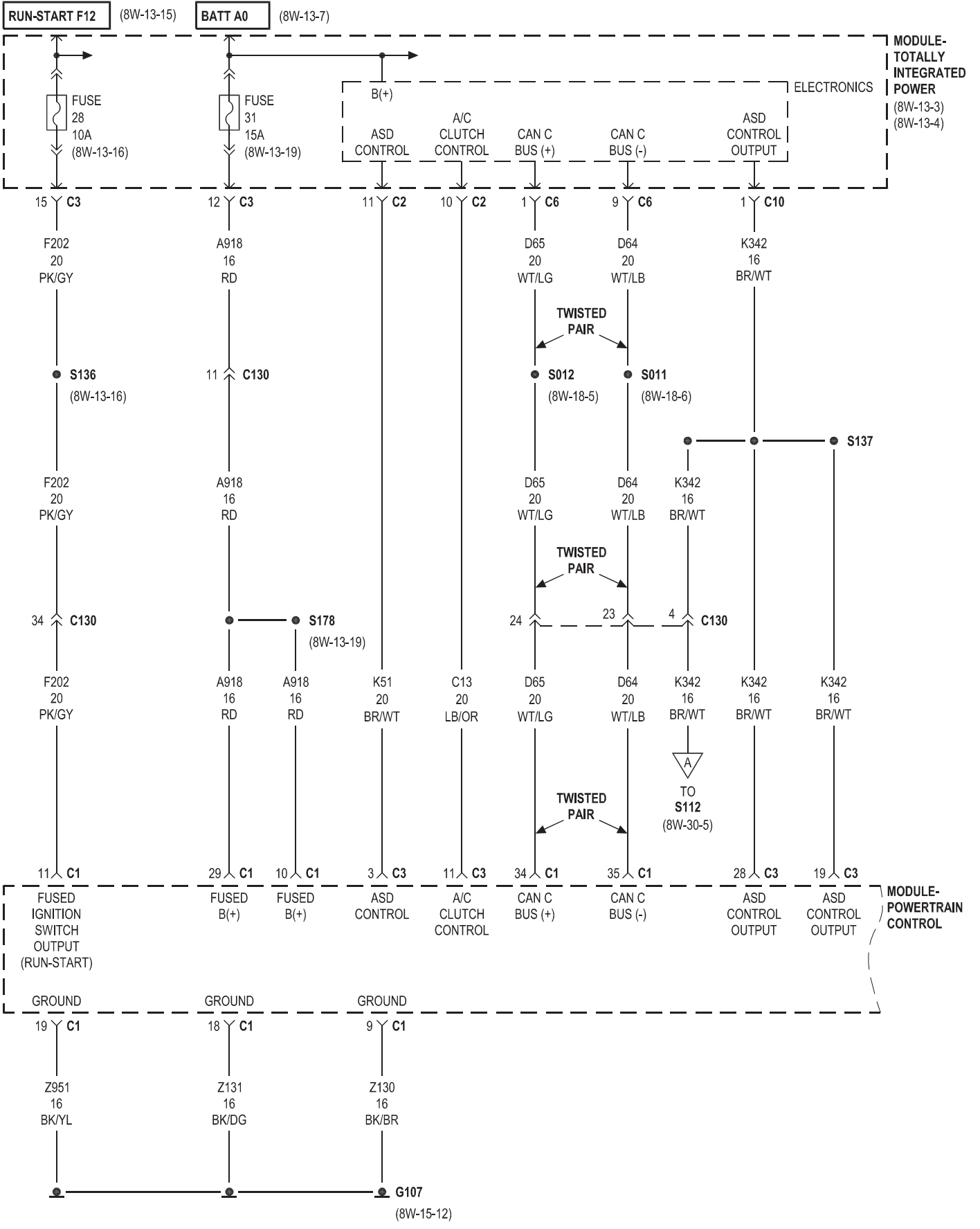


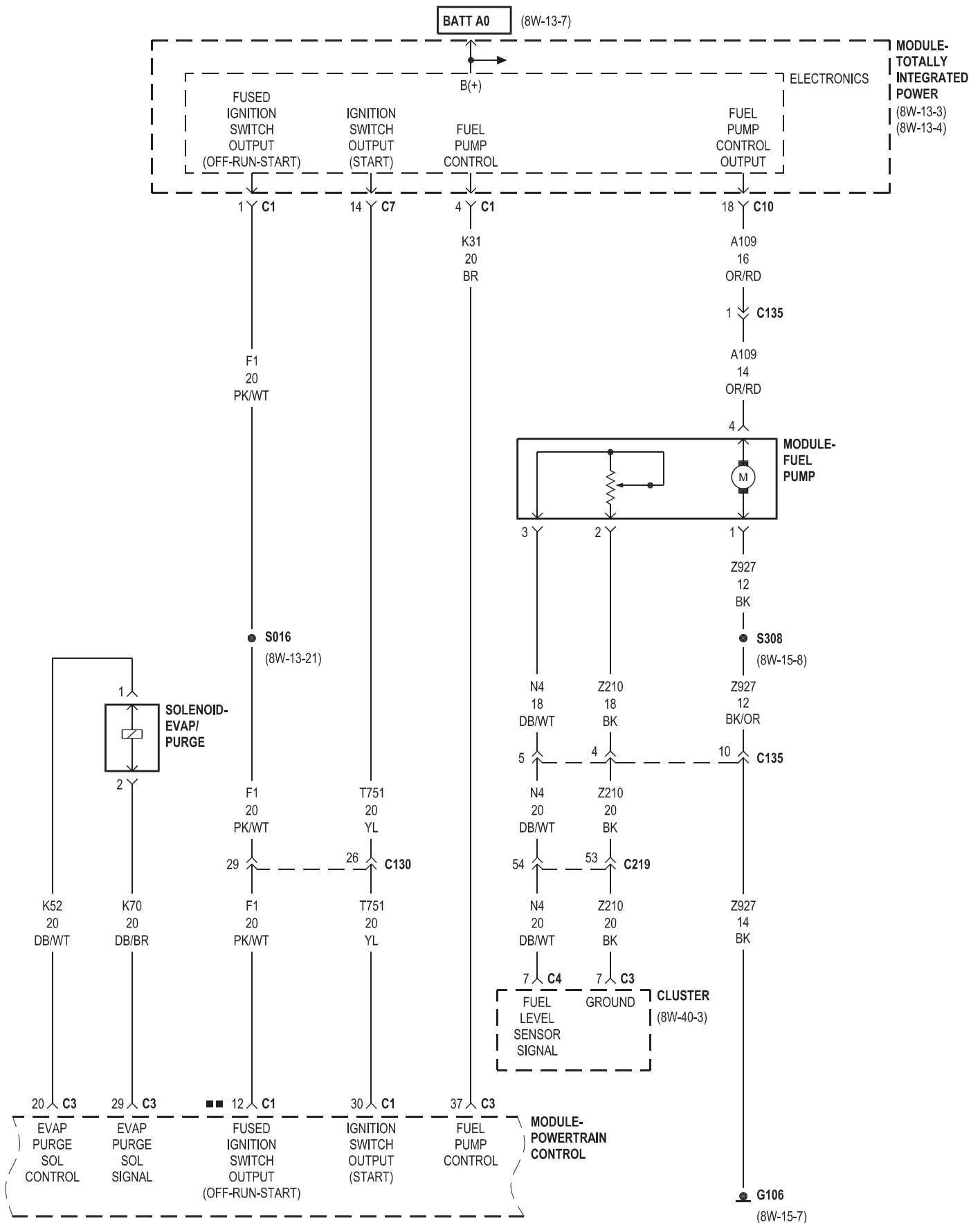
8W-30 FUEL/IGNITION SYSTEM

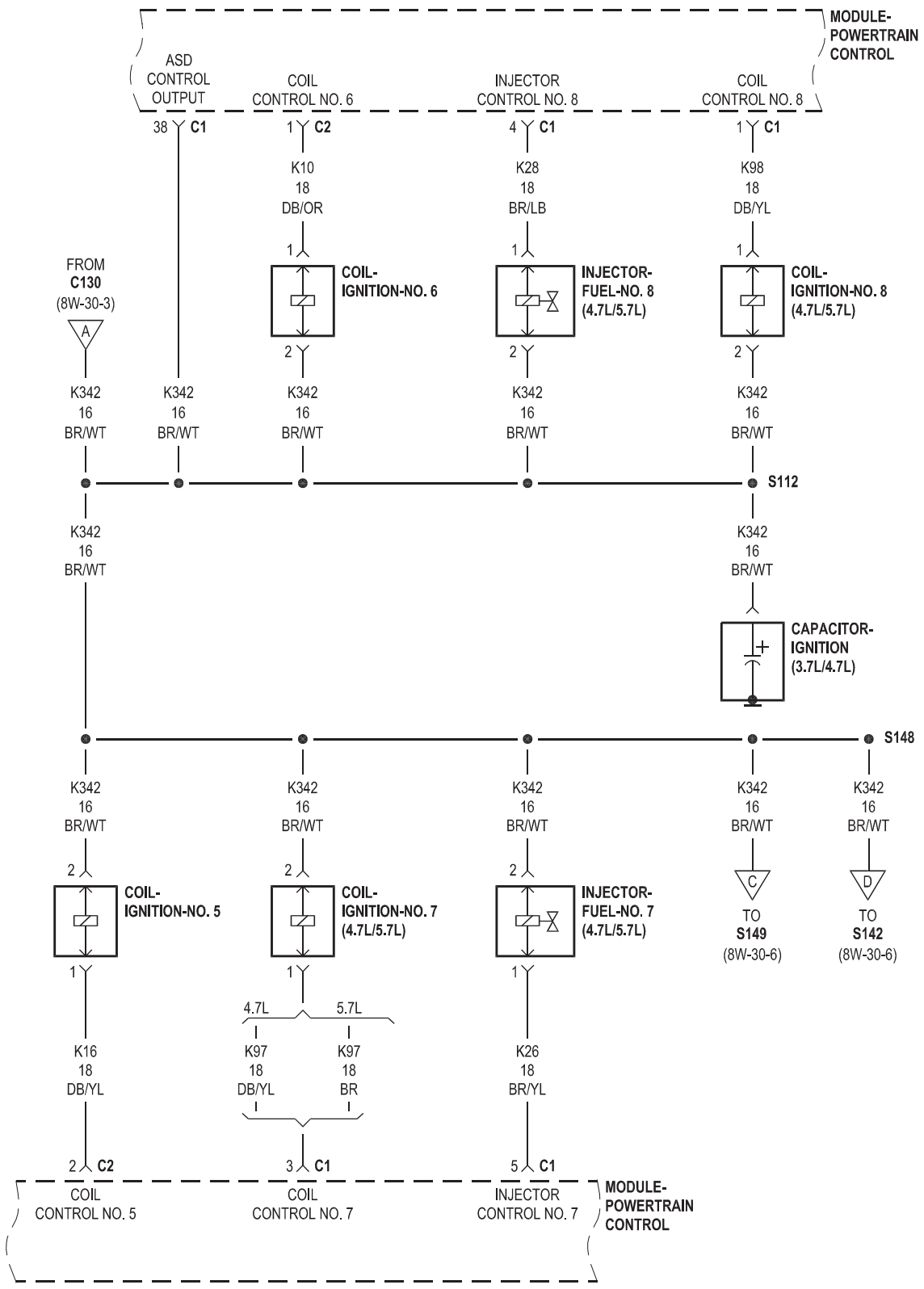
Component	Page	Component	Page
Actuator-Fuel Control	8W-30-19, 34	Port-Upfitters	8W-30-9
Actuator-VGT	8W-30-33	Relay-Intake Air Heater	8W-30-18, 27
Assembly-EGR Valve	8W-30-16, 40	Relay-Turbo Shutdown	8W-30-33
Assembly-Transmission Solenoid/TRS	8W-30-2	Sensor-Accelerator Pedal Position	8W-30-17, 25, 30
Battery-Auxiliary	8W-30-18, 27	Sensor-Battery Temperature	8W-30-18, 27
Capacitor-Ignition	8W-30-5	Sensor-Camshaft Position	8W-30-11, 24, 37
Cluster	8W-30-4, 19, 34, 39	Sensor-Crankcase	8W-30-37
Coil-Ignition-No. 1	8W-30-6	Sensor-Crankshaft Position	8W-30-11, 24, 41
Coil-Ignition-No. 2	8W-30-6	Sensor-EGR Orifice Temperature	8W-30-36
Coil-Ignition-No. 3	8W-30-6	Sensor-Engine Coolant Temperature	8W-30-15, 23, 36
Coil-Ignition-No. 4	8W-30-6	Sensor-Engine Oil Pressure	8W-30-8
Coil-Ignition-No. 5	8W-30-5	Sensor-Engine Oil Temperature	8W-30-15
Coil-Ignition-No. 6	8W-30-5	Sensor-Exhaust Outlet Temperature	8W-30-32
Coil-Ignition-No. 7	8W-30-5	Sensor-Exhaust Pressure	8W-30-35
Coil-Ignition-No. 8	8W-30-5	Sensor-Fuel Rail Pressure	8W-30-24, 37
Drive-Fan-Radiator	8W-30-22, 23, 36	Sensor-Intake Air Temperature	8W-30-15
Fuse 6	8W-30-23	Sensor-Knock	8W-30-12
Fuse 10	8W-30-2	Sensor-Knock No. 1	8W-30-12
Fuse 28	8W-30-3, 18, 27	Sensor-Knock No. 2	8W-30-12
Fuse 31	8W-30-3	Sensor-MAP	8W-30-15
Fuse 37	8W-30-33	Sensor-Mass Air Flow	8W-30-33
Fuse 42	8W-30-18, 27	Sensor-Oxygen-Left Front	8W-30-14
Fusible Link	8W-30-18, 27	Sensor-Oxygen-Left Rear	8W-30-13
G104	8W-30-2, 9, 10, 18	Sensor-Oxygen-Right Front	8W-30-14
G106	8W-30-4, 19, 34, 41	Sensor-Oxygen-Right Rear	8W-30-13
G107	8W-30-3, 7, 9, 13, 14, 16	Sensor-Post Catalytic Temperature	8W-30-32
G114	8W-30-18, 19, 27	Sensor-Pre-Catalytic Temperature	8W-30-32
G120	8W-30-34	Sensor-Soot Delta Pressure	8W-30-32
G201	8W-30-39	Sensor-Temperature/Pressure Intake	8W-30-35
Generator	8W-30-9, 24, 41	Sensor-Temperature/Pressure-Intake	8W-30-22
Heater-Fuel	8W-30-19, 34	Sensor-Temperature/Pressure-Map	8W-30-24, 37
Heater-Intake Air	8W-30-18, 27	Sensor-Throttle Position	8W-30-8
Injector-Fuel-No. 1	8W-30-6, 20, 28	Sensor-Transmission Range	8W-30-2
Injector-Fuel-No. 2	8W-30-6, 20, 28	Sensor-Turbo Speed	8W-30-41
Injector-Fuel-No. 3	8W-30-6, 20, 28	Sensor-Water In Fuel	8W-30-19, 36
Injector-Fuel-No. 4	8W-30-6, 21, 29	Servo-Speed Control	8W-30-10
Injector-Fuel-No. 5	8W-30-6, 21, 29	Solenoid-EVAP/Purge	8W-30-4
Injector-Fuel-No. 6	8W-30-6, 21, 29	Solenoid-Multiple Displacement No. 1	8W-30-7
Injector-Fuel-No. 7	8W-30-5	Solenoid-Multiple Displacement No. 4	8W-30-7
Injector-Fuel-No. 8	8W-30-5	Solenoid-Multiple Displacement No. 6	8W-30-7
Module-Anti-Lock Brakes	8W-30-9, 26, 38	Solenoid-Multiple Displacement No. 7	8W-30-7
Module-Engine Control	8W-30-18, 19, 20, 21, 22, 23, 24, 25, 26, 27, 28, 29, 30, 31, 32, 33, 34, 35, 36, 37, 38, 39, 40, 41	Solenoid-Wastegate	8W-30-23
Module-Fuel Pump	8W-30-4, 19, 34	Switch-Clutch Interlock	8W-30-2
Module-Powertrain Control	8W-30-2, 3, 4, 5, 6, 7, 8, 9, 10, 11, 12, 13, 14, 15, 16, 17	Switch-Clutch Interlock/Upstop	8W-30-41
Module-Remote Throttle Provision	8W-30-31	Switch-EVAP System Monitor	8W-30-9
Module-Steering Control	8W-30-10, 26, 31, 39	Switch-Exhaust Brake	8W-30-39
Module-Totally Integrated Power	8W-30-2, 3, 4, 18, 19, 23, 26, 27, 33, 34, 36, 38	Switch-Oil Pressure	8W-30-8, 24, 41
Motor-IAC	8W-30-8	Switch-PTO	8W-30-9
Port-Diagnostic	8W-30-41	Switch-Stop Lamp	8W-30-10, 26, 38
		Throttle Body	8W-30-8, 33, 36

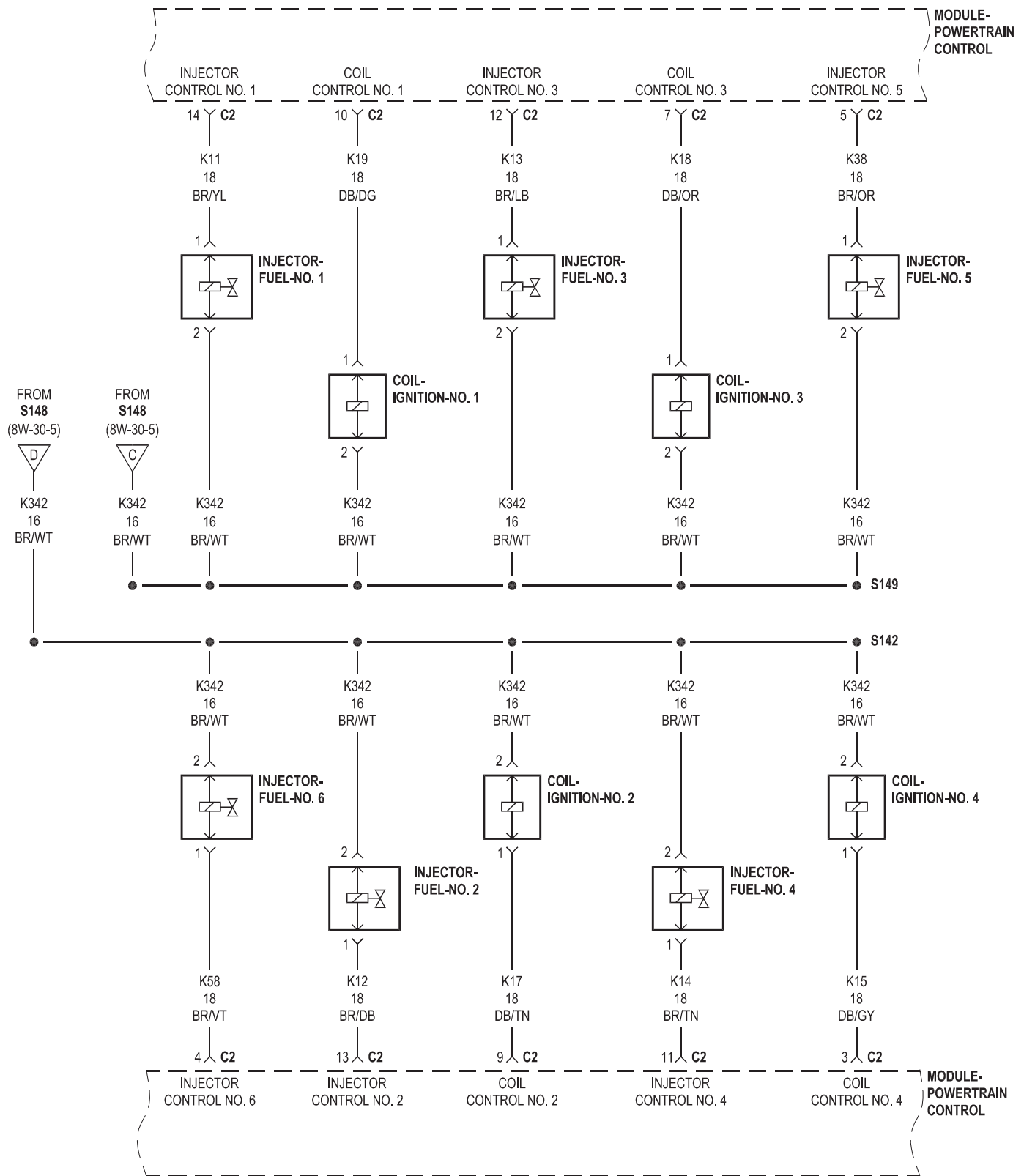


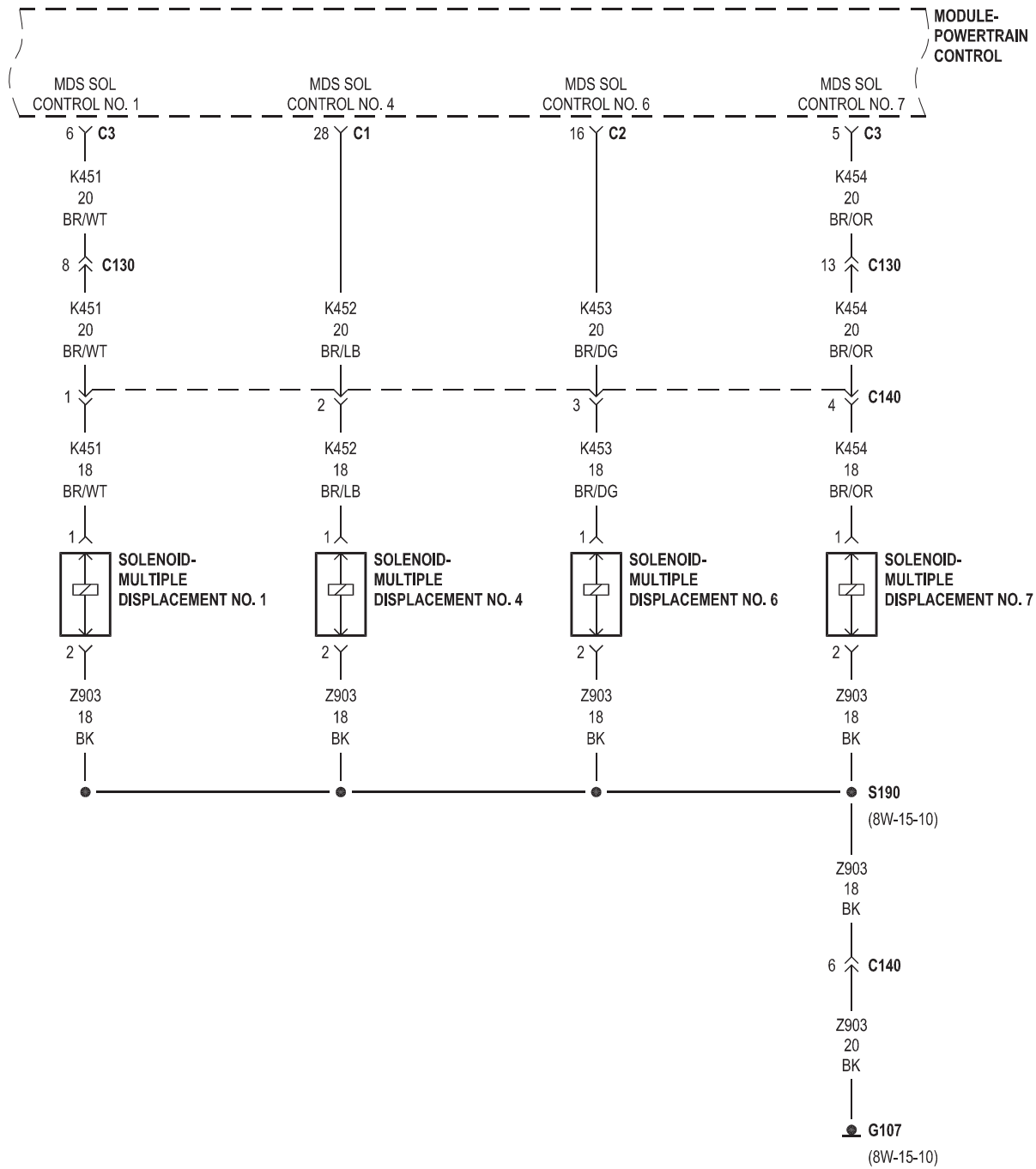


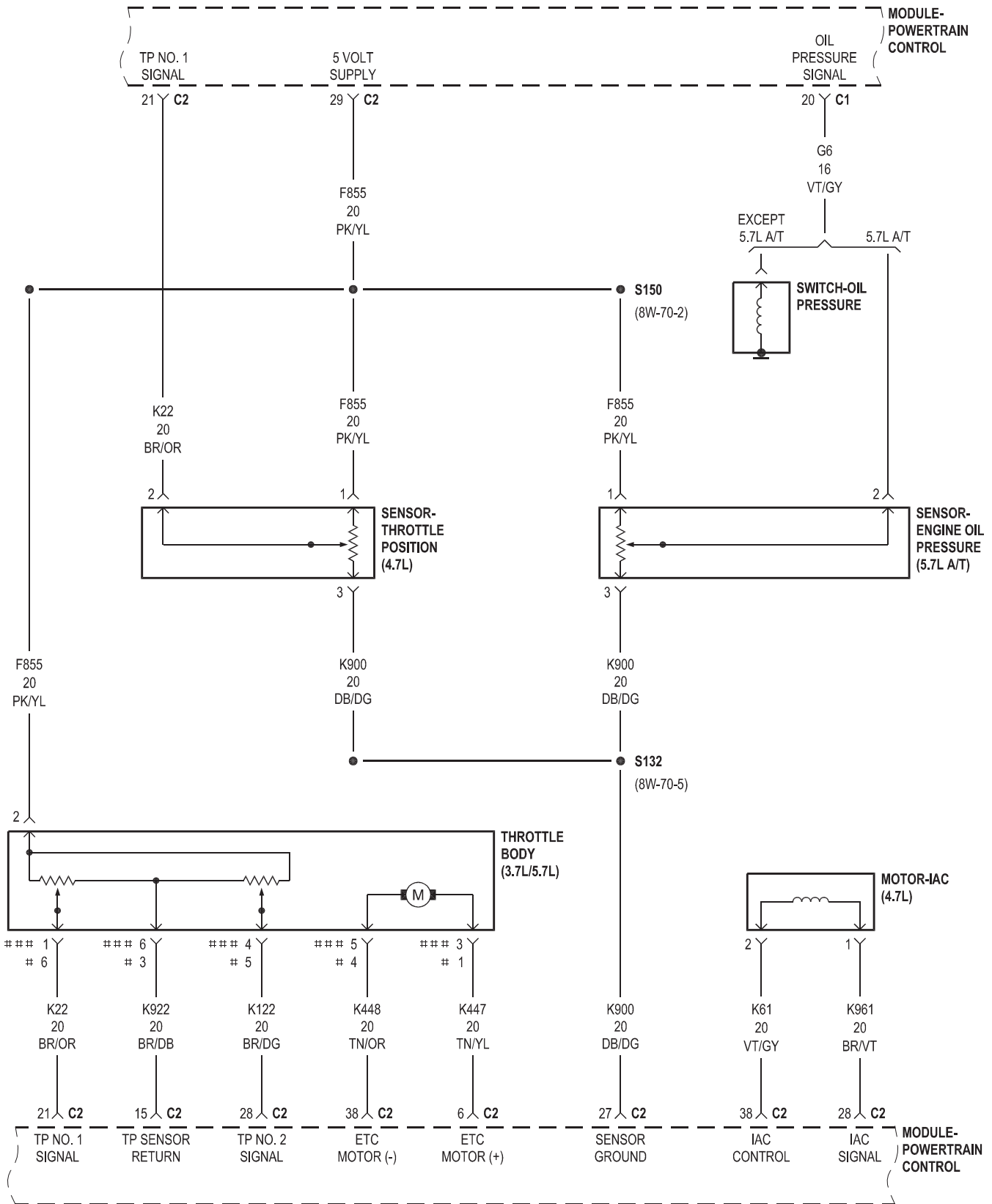
GAS



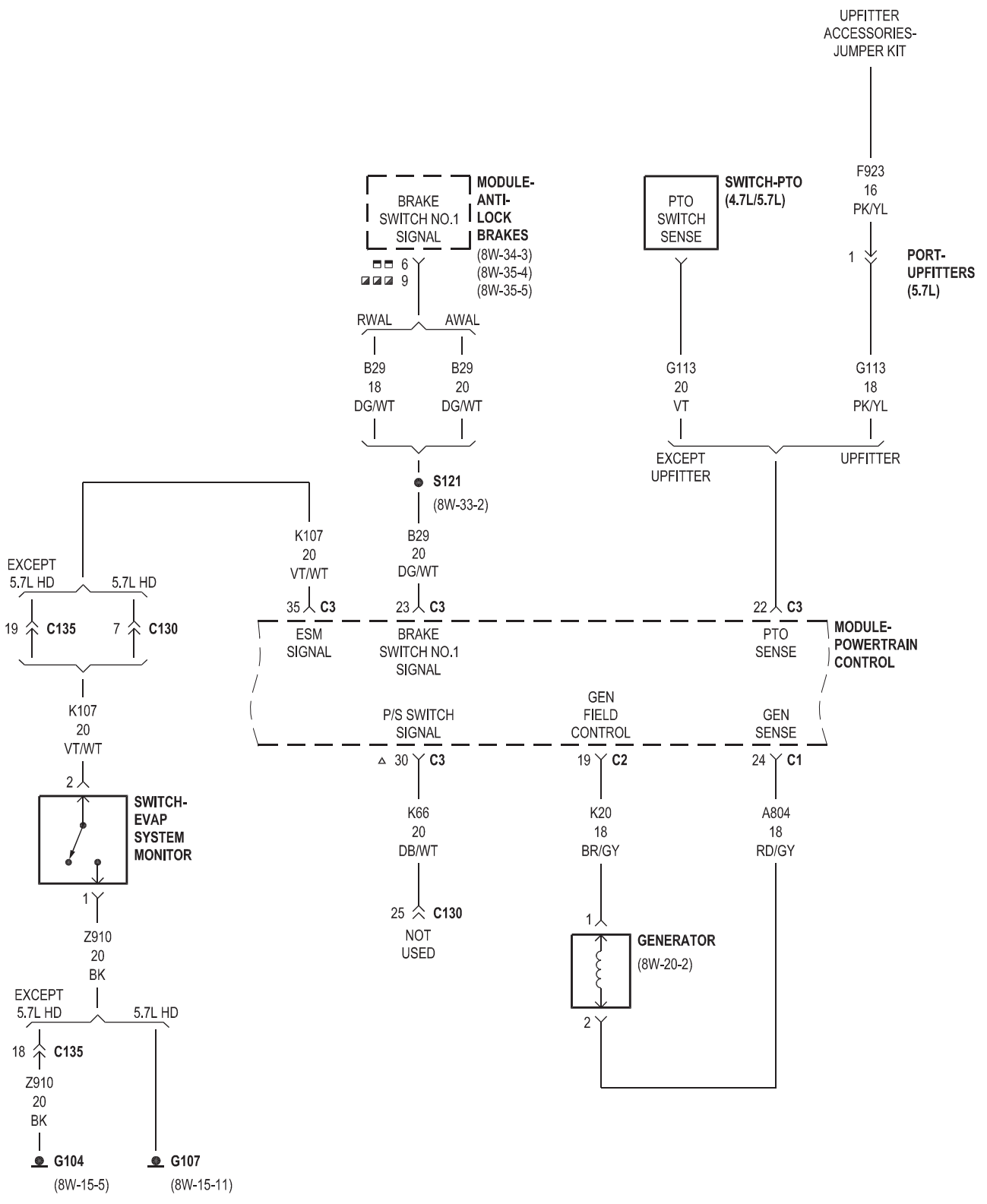




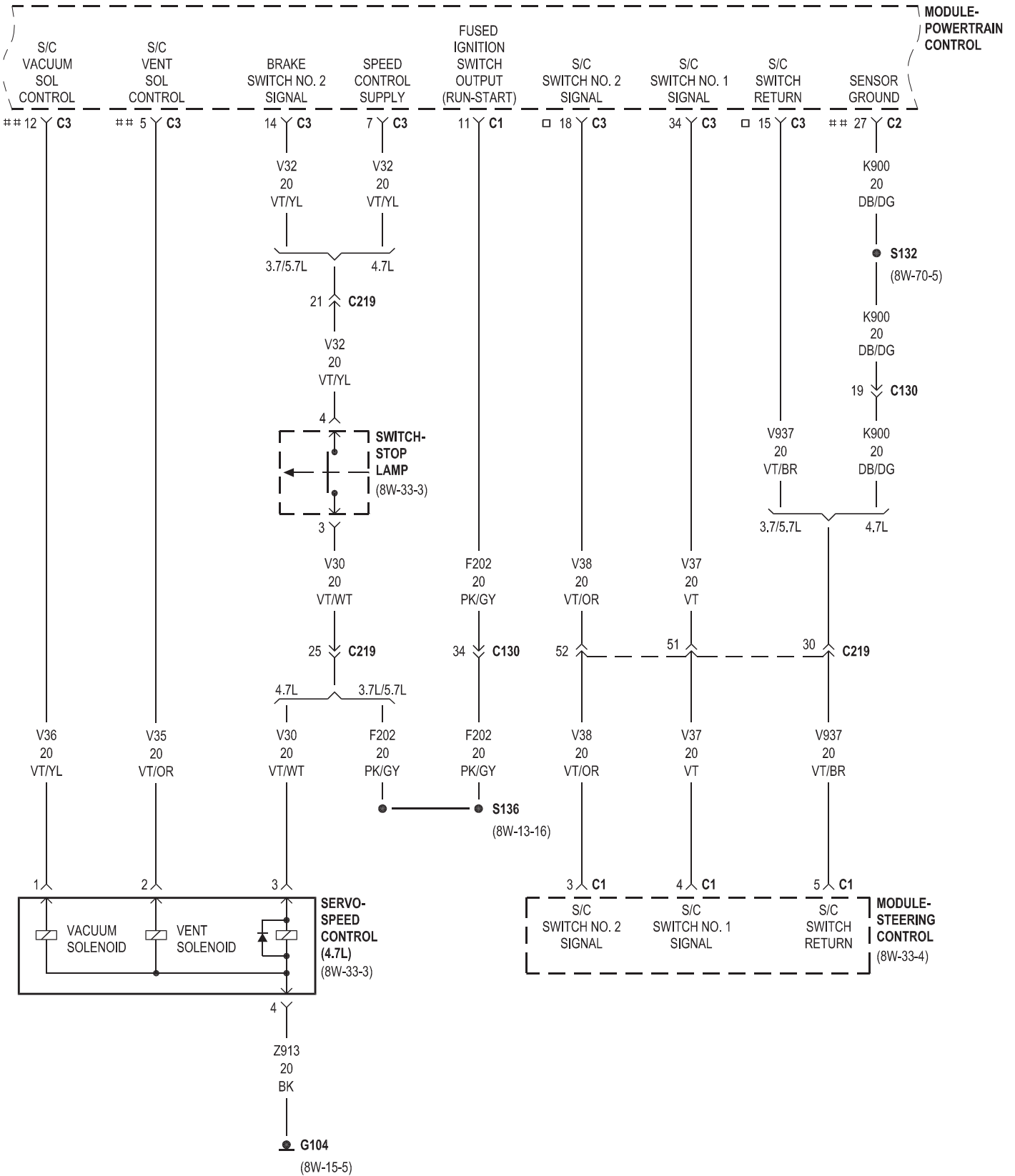




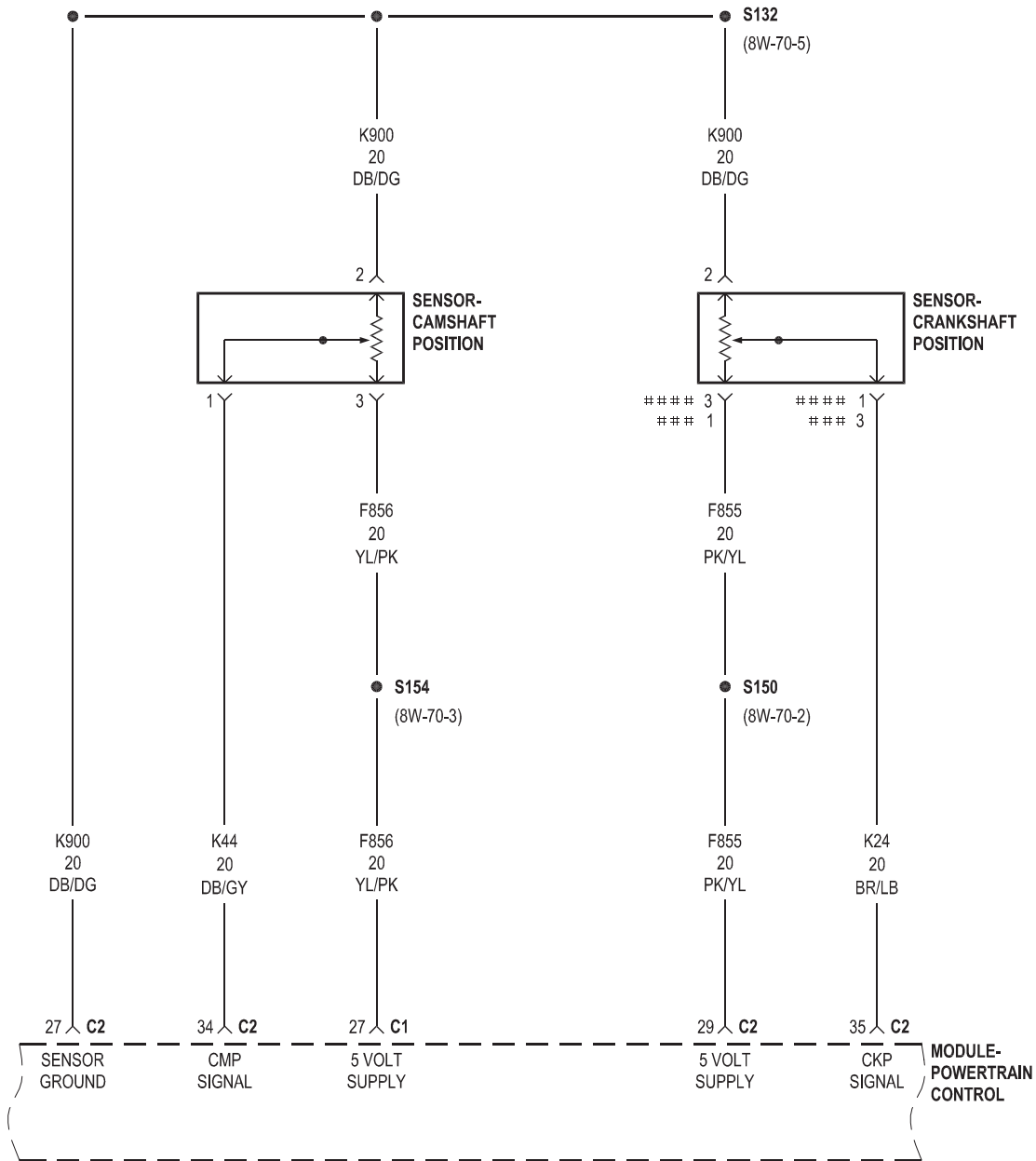
3.7L
5.7L



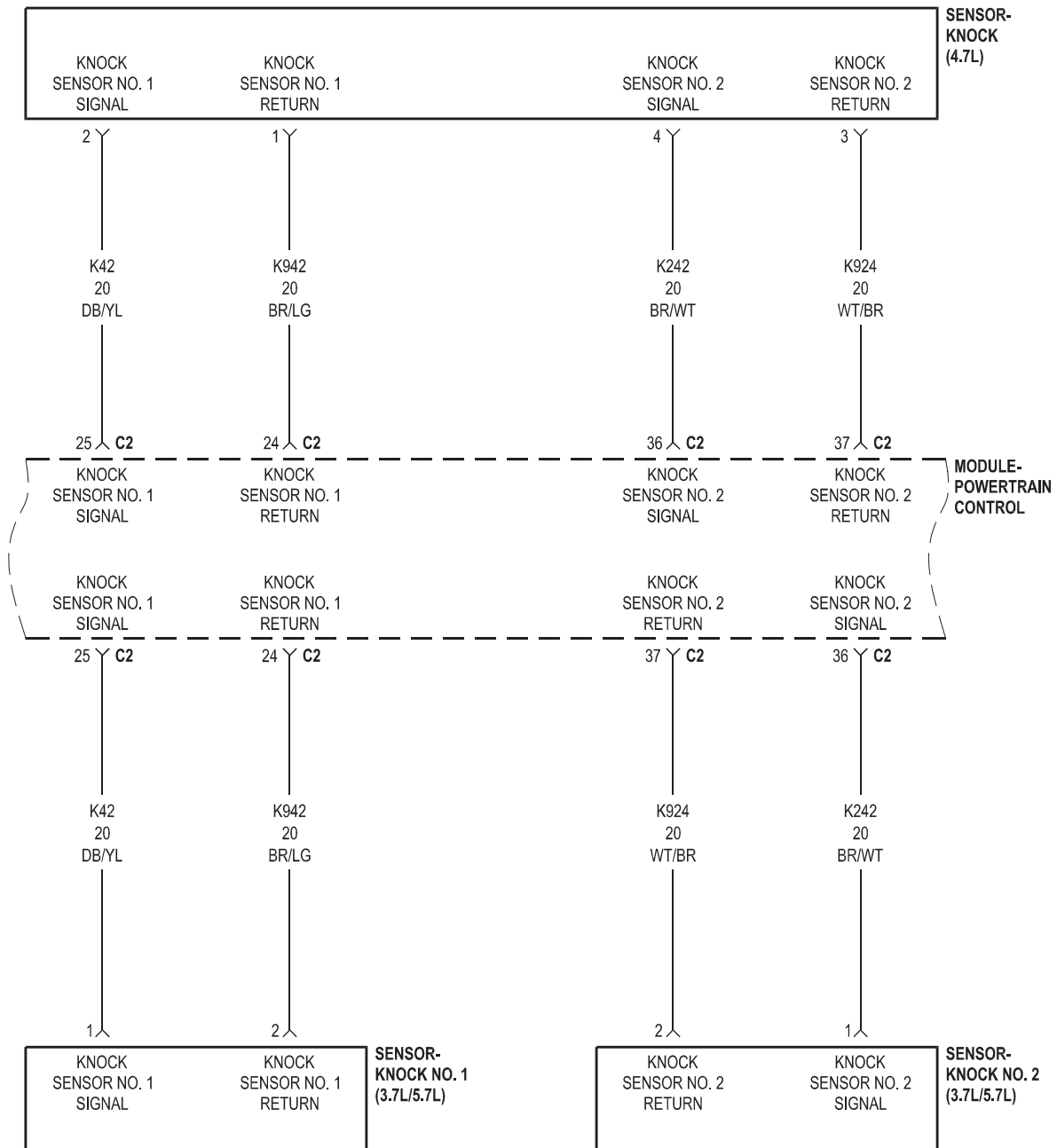
△ 5.7L HD
 ▣ RWAL
 ▣▣ AWAL/ESP

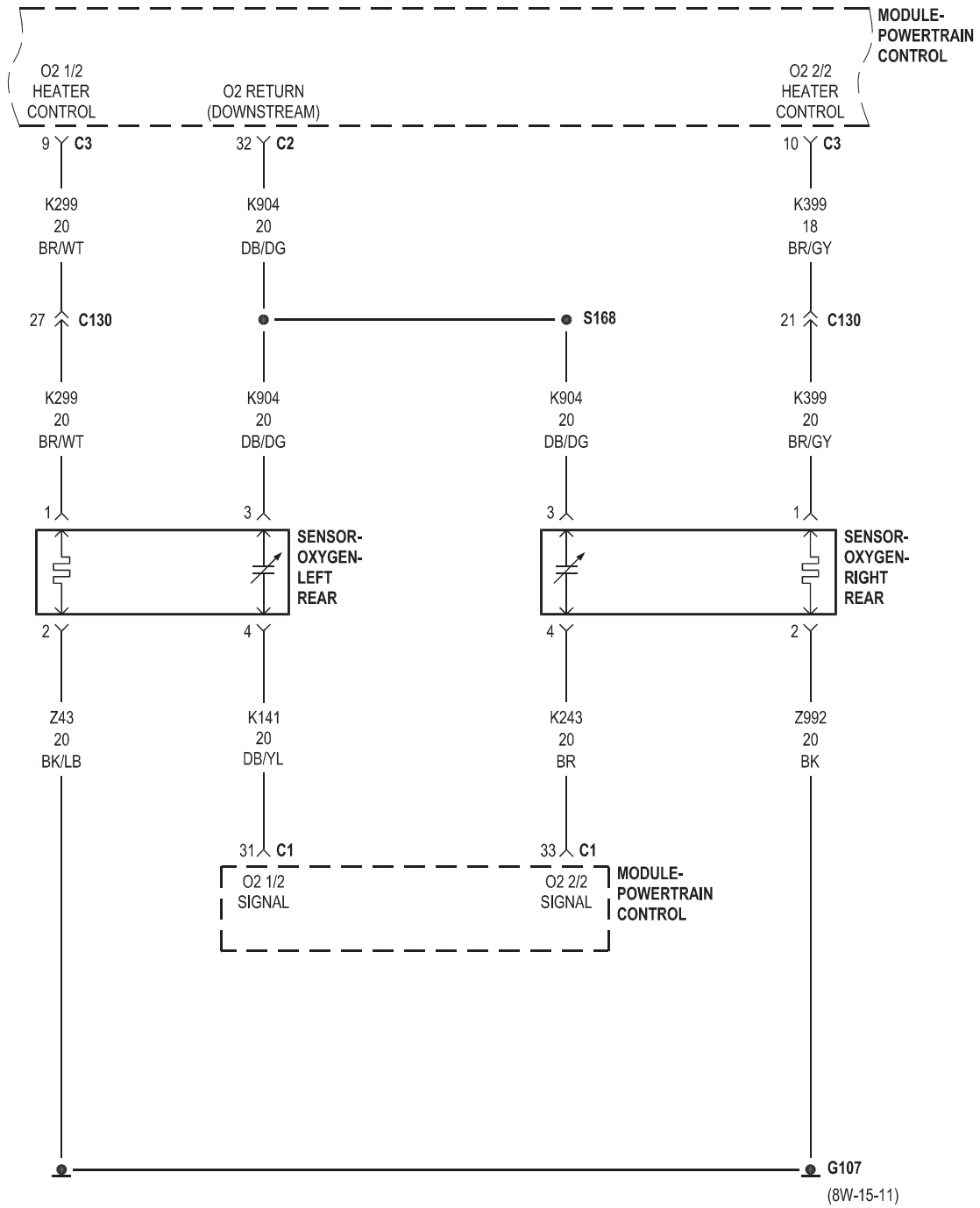


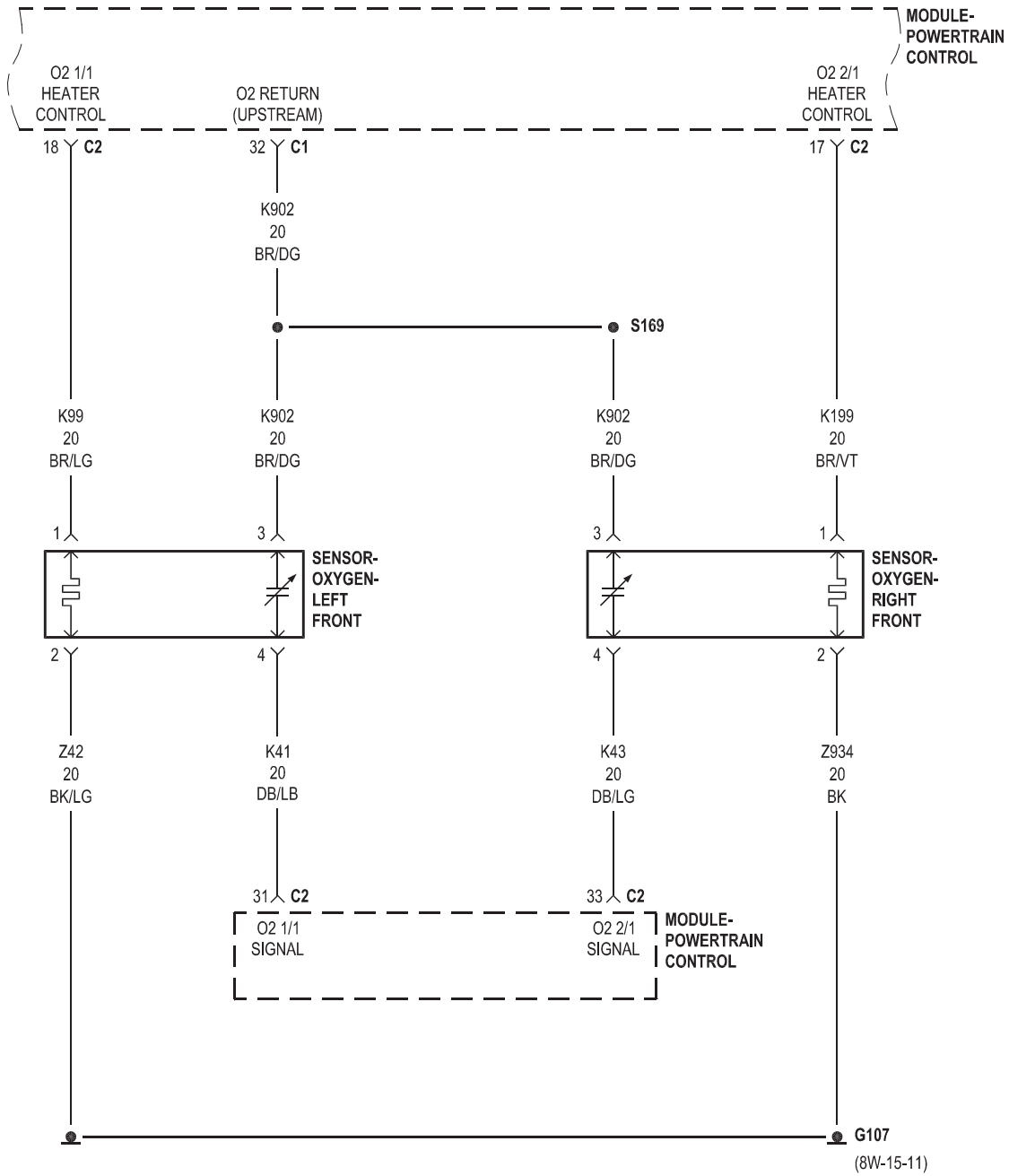
□ 3.7L/5.7L
4.7L

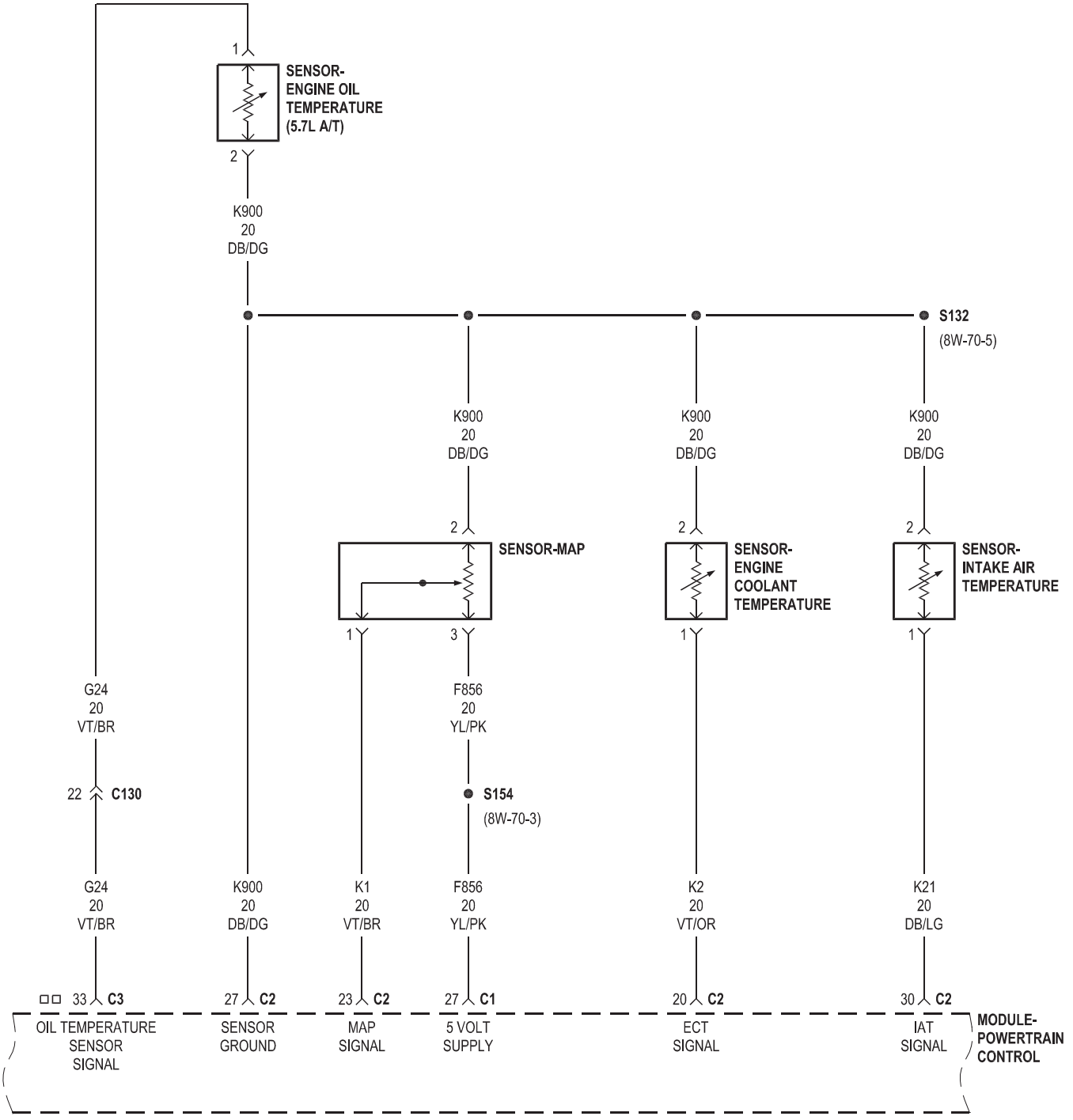


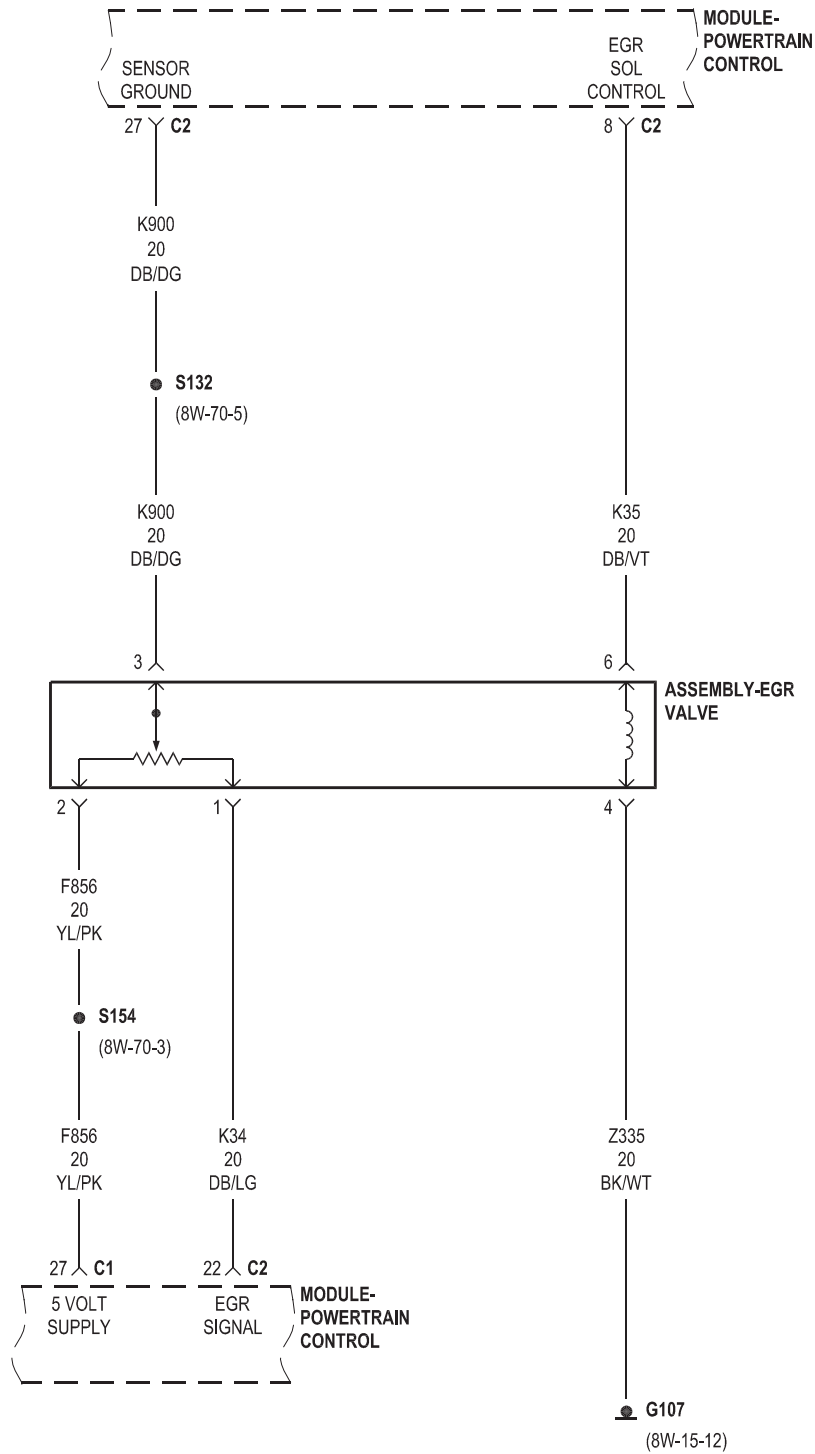
5.7L
 ##### 3.7L/4.7L

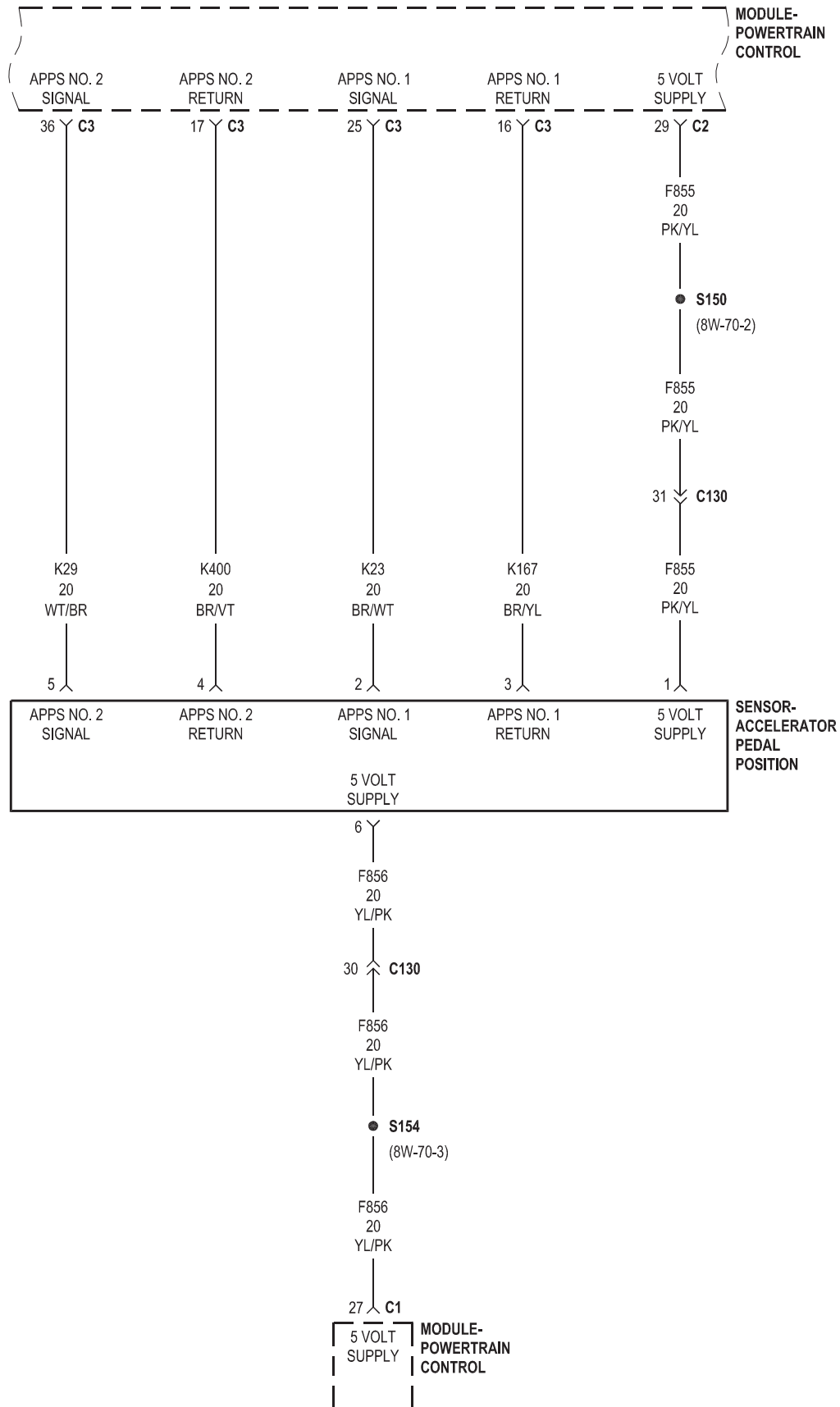




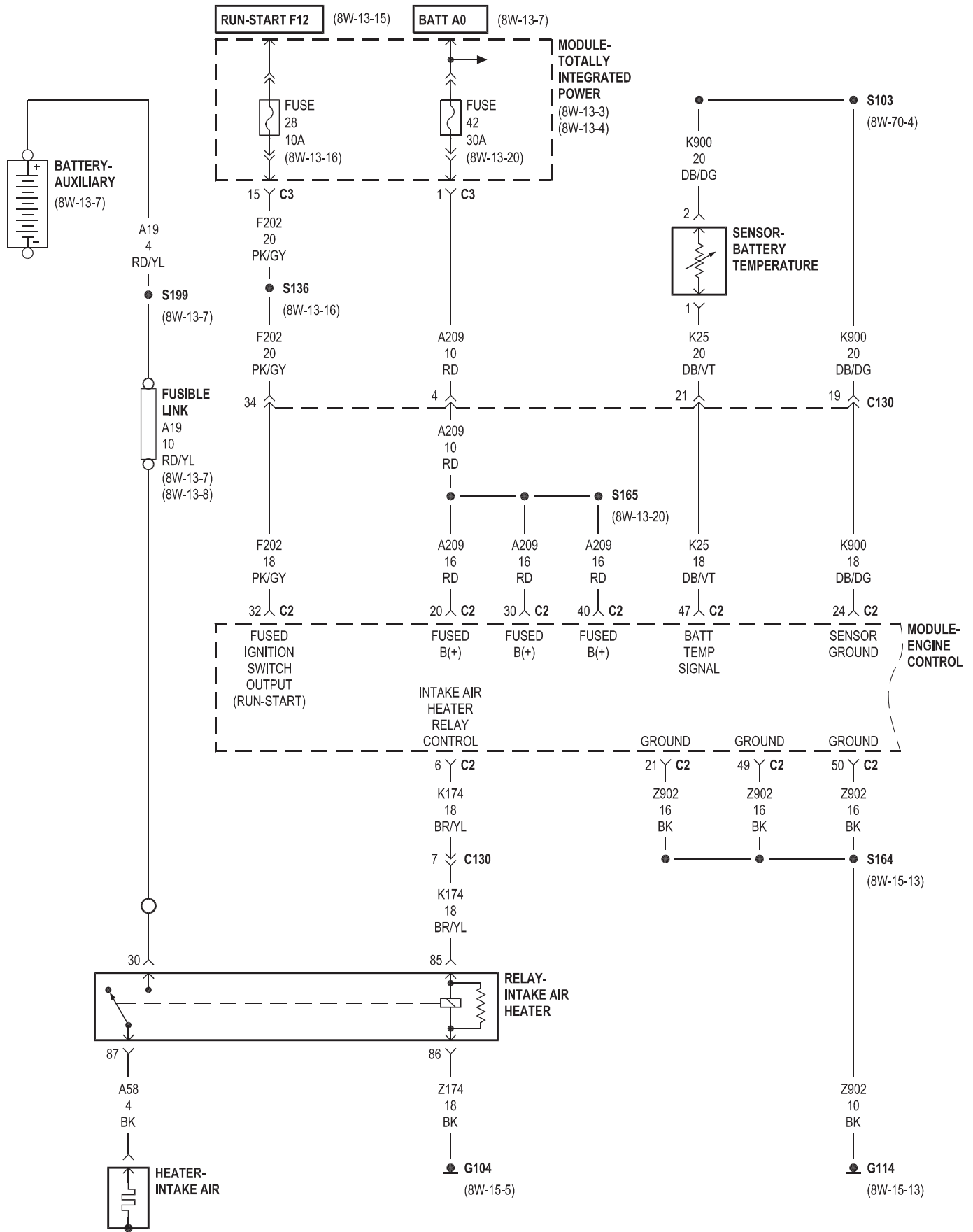


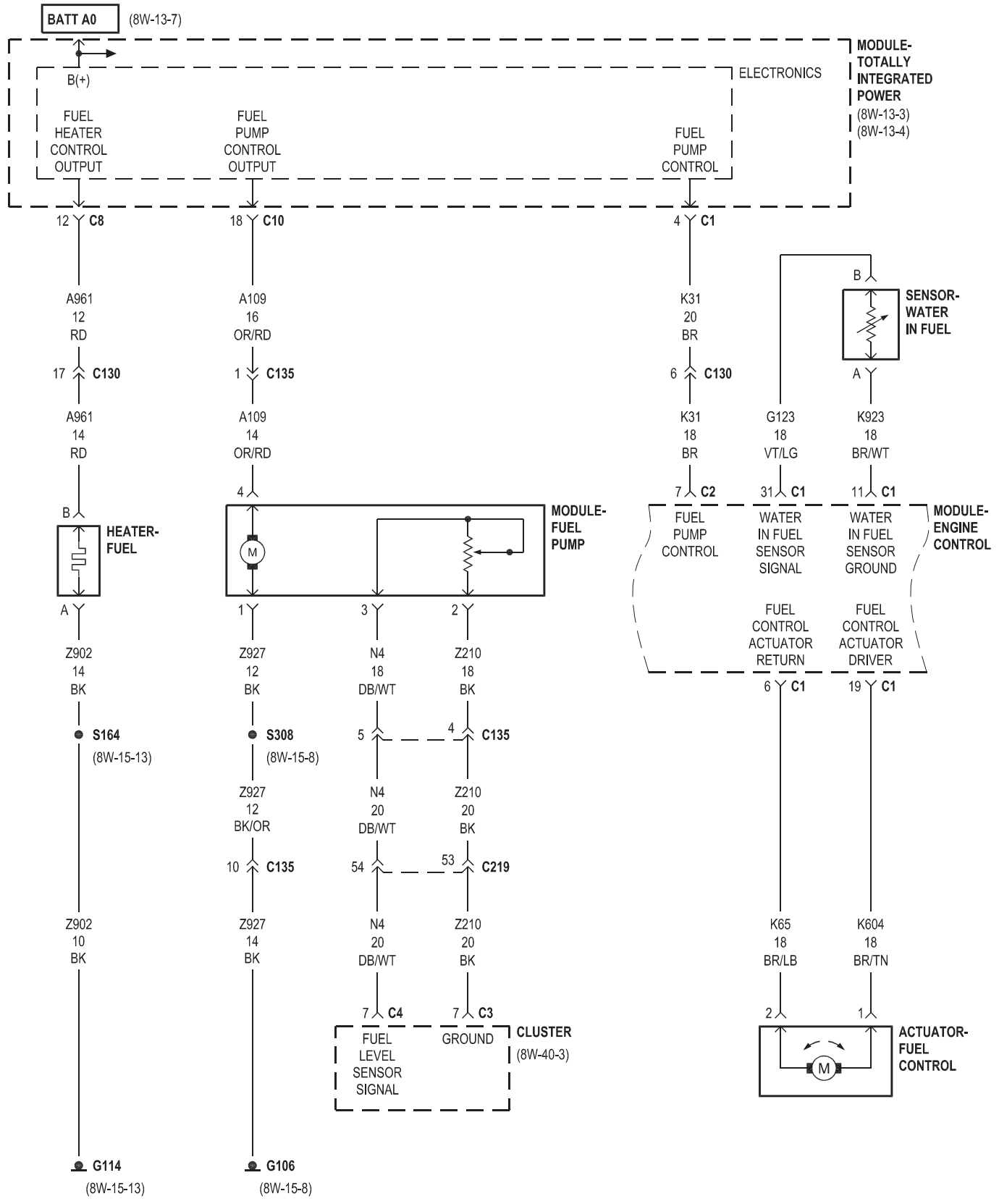


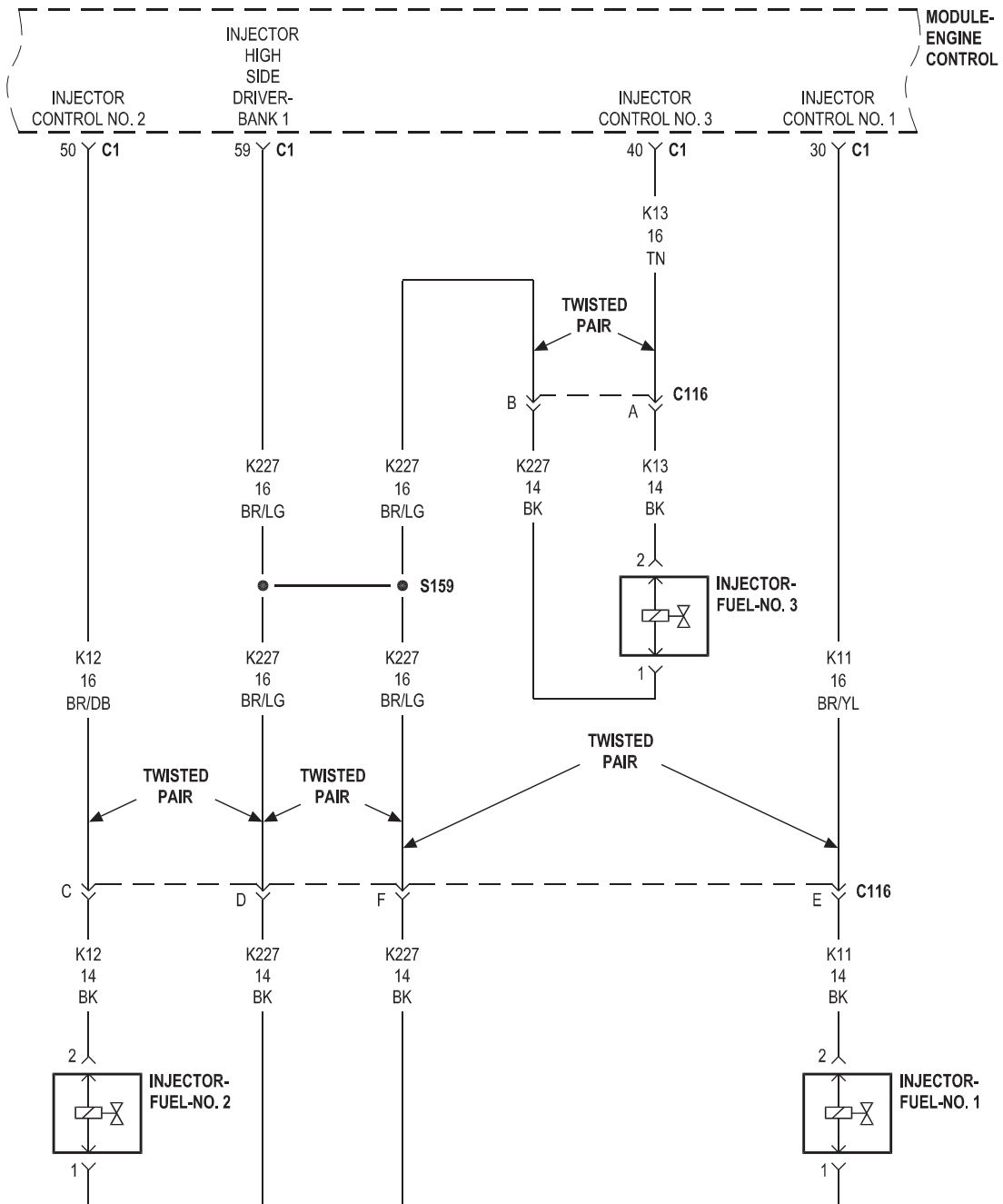


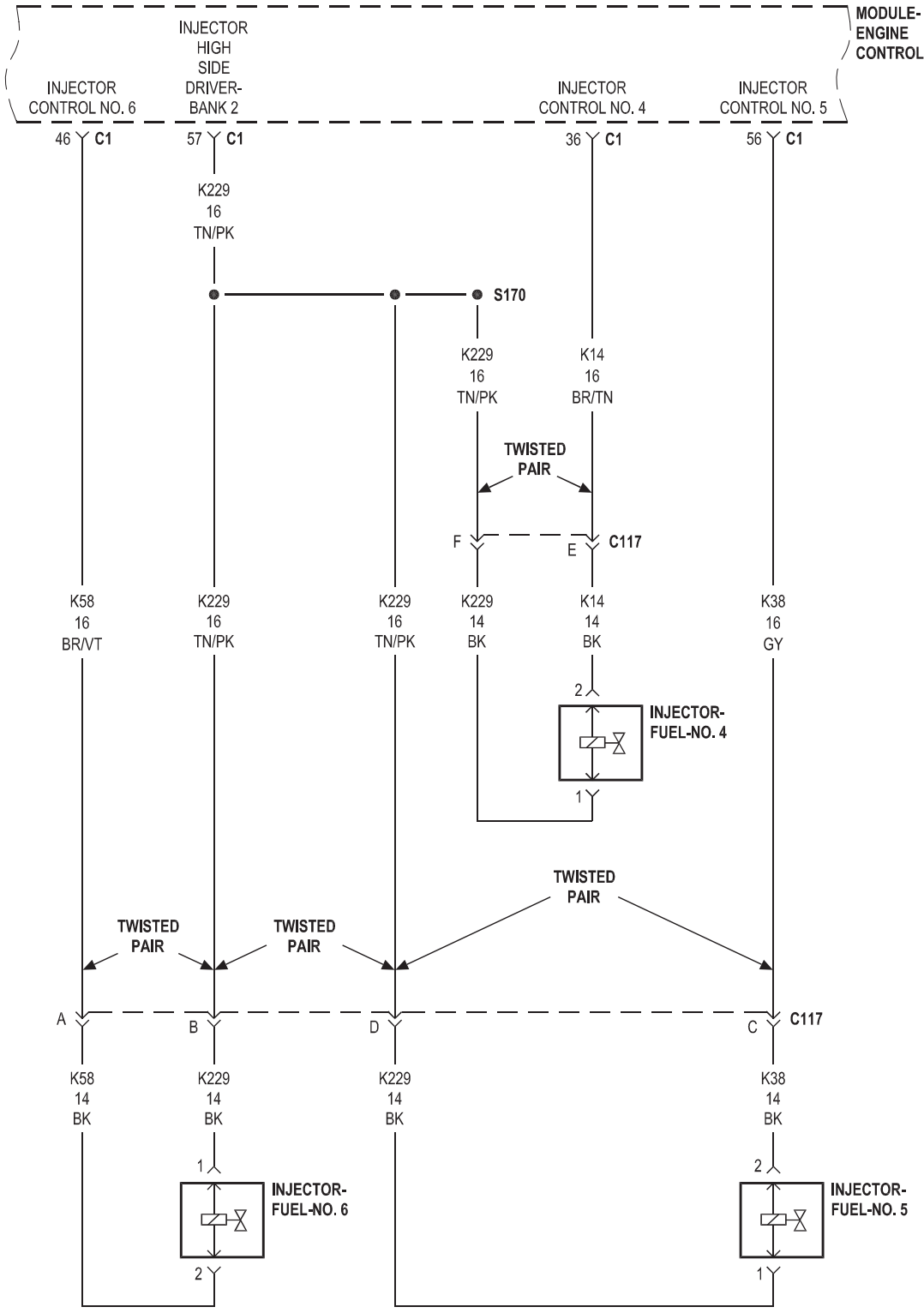


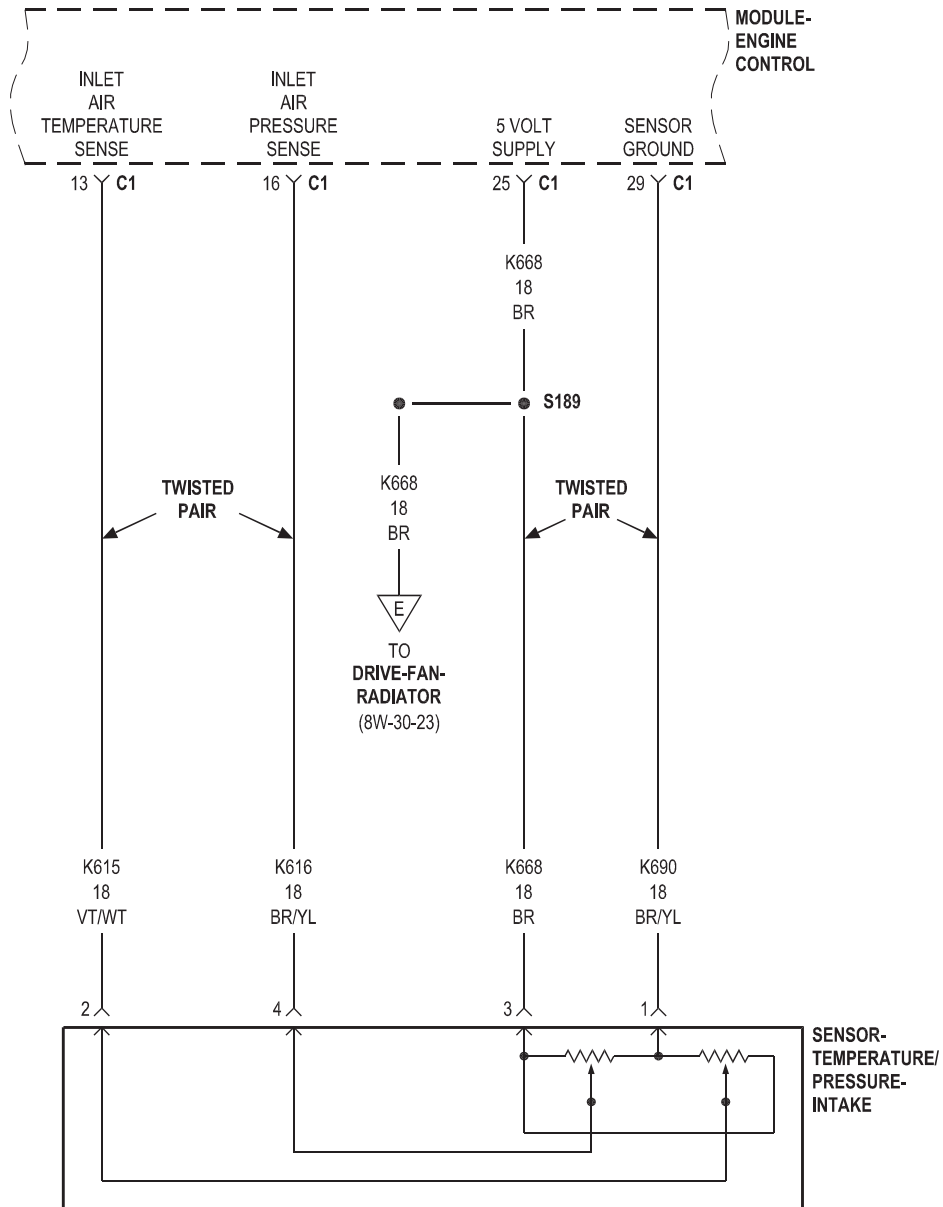
5.9L DIESEL

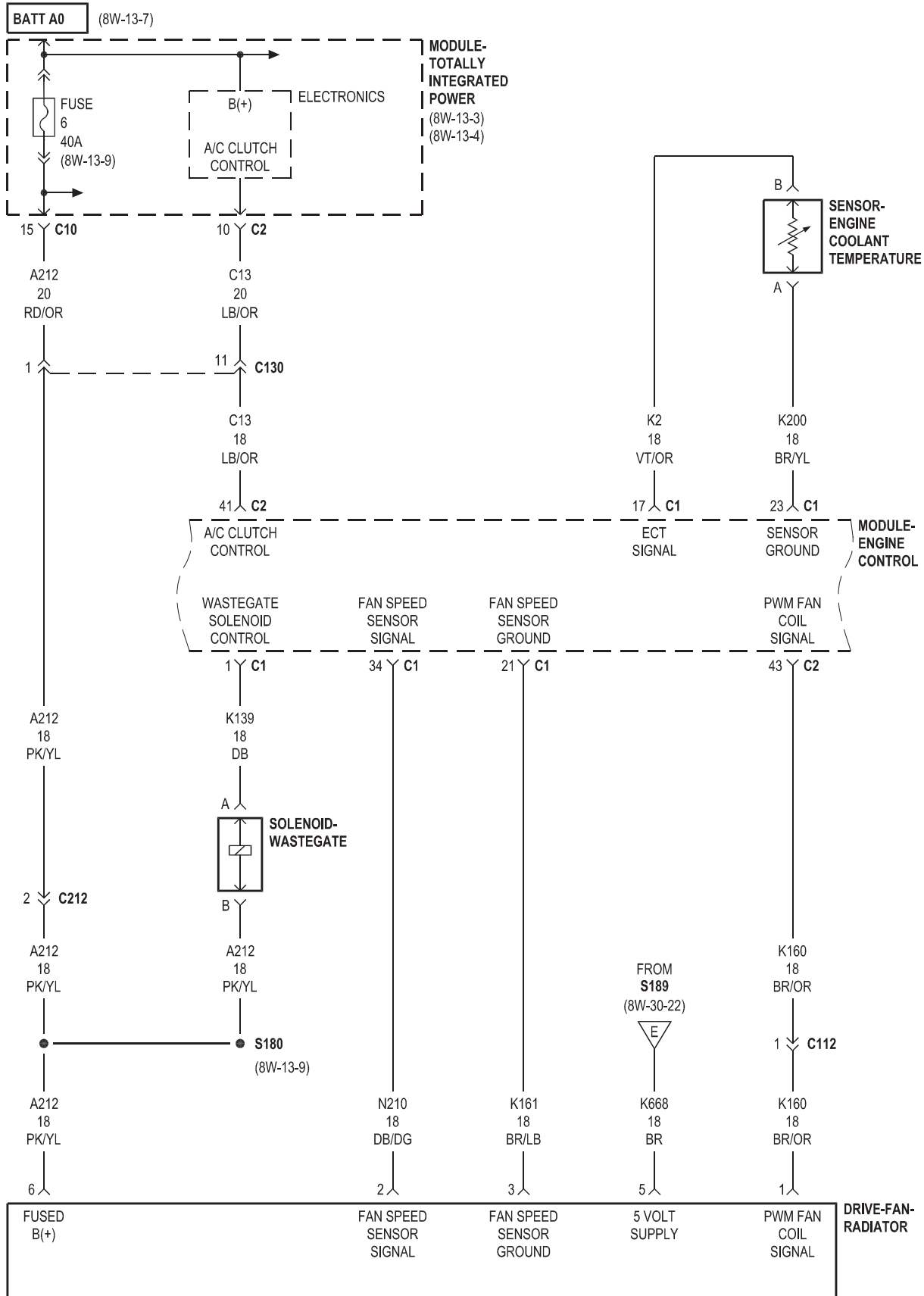


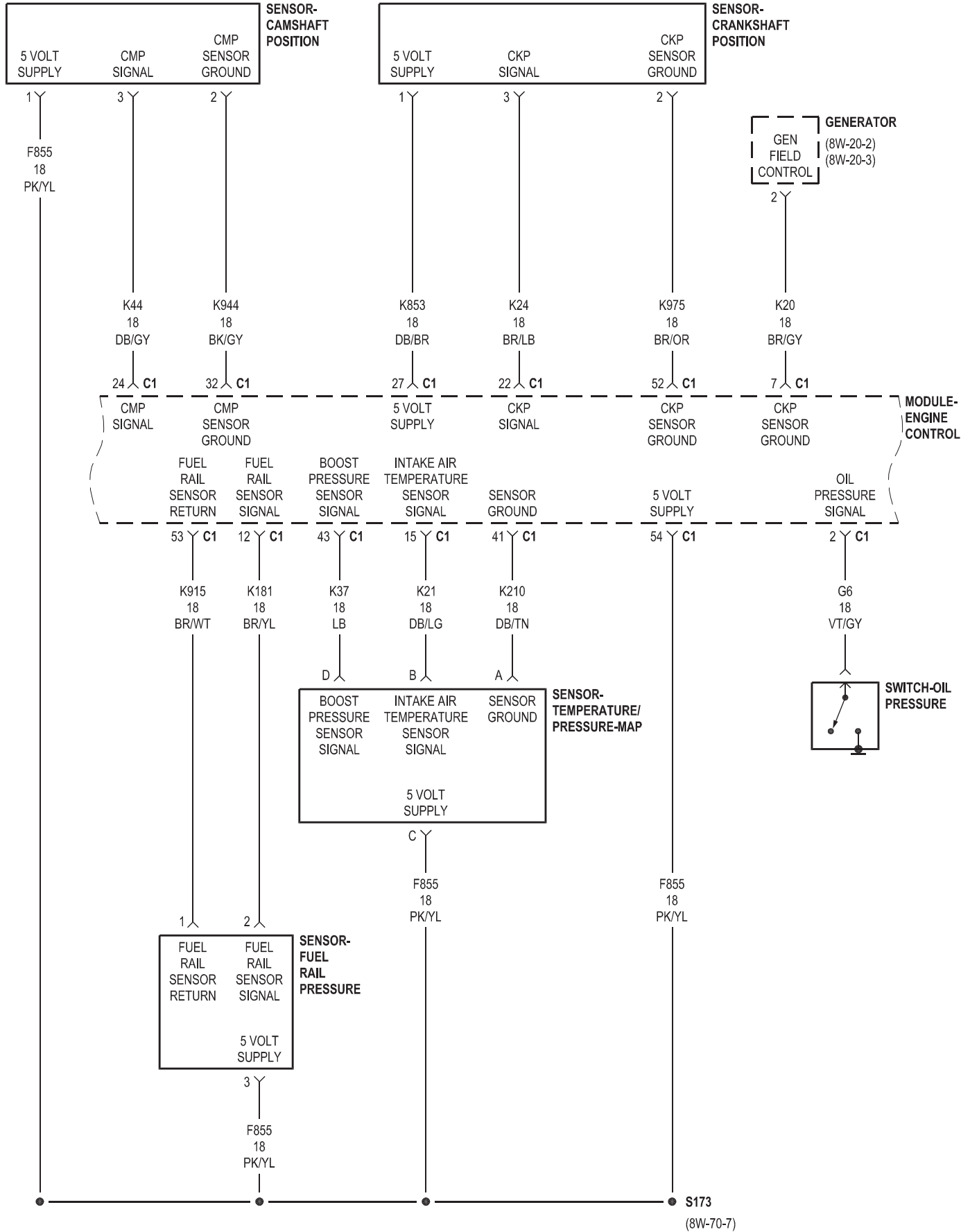


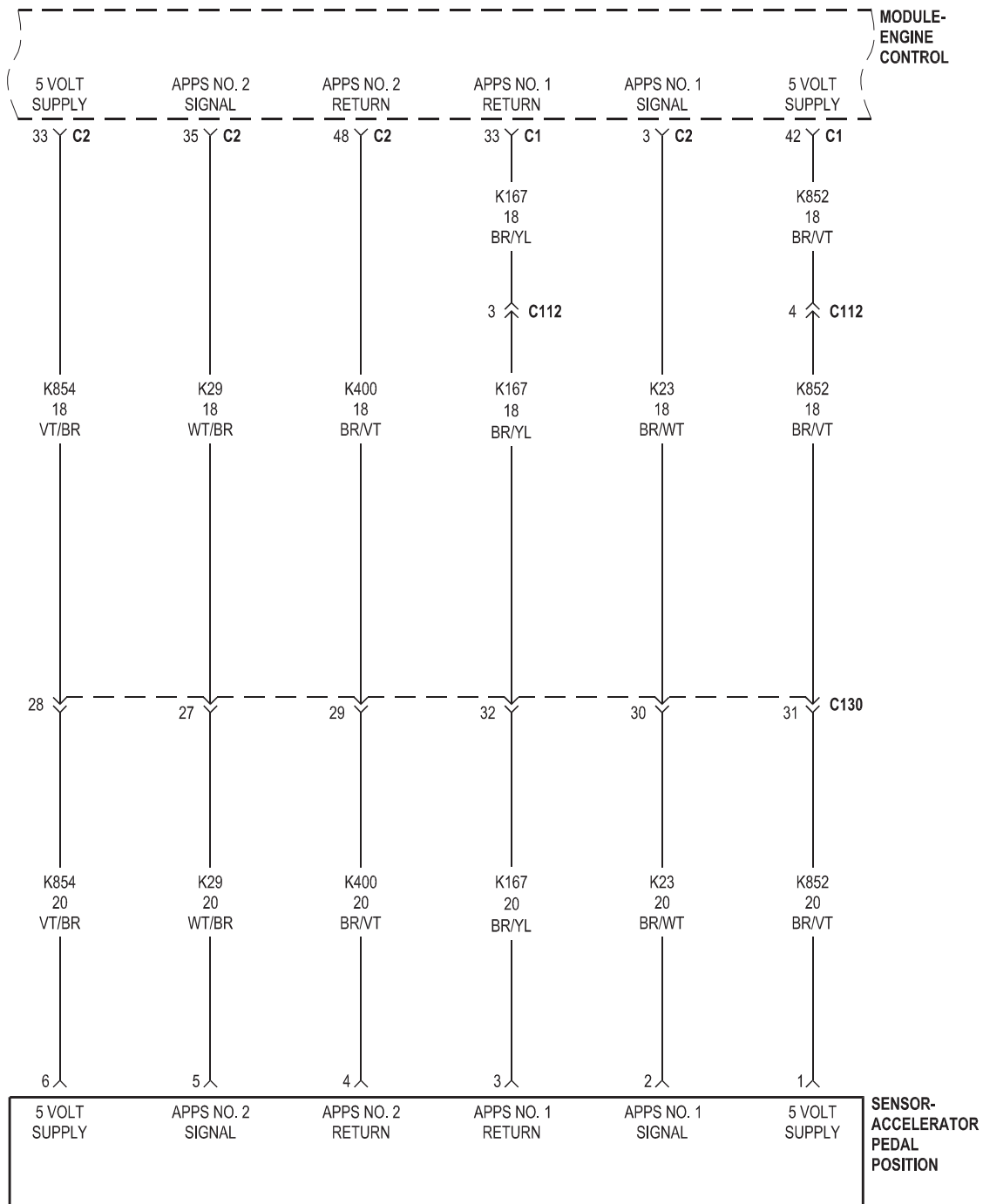


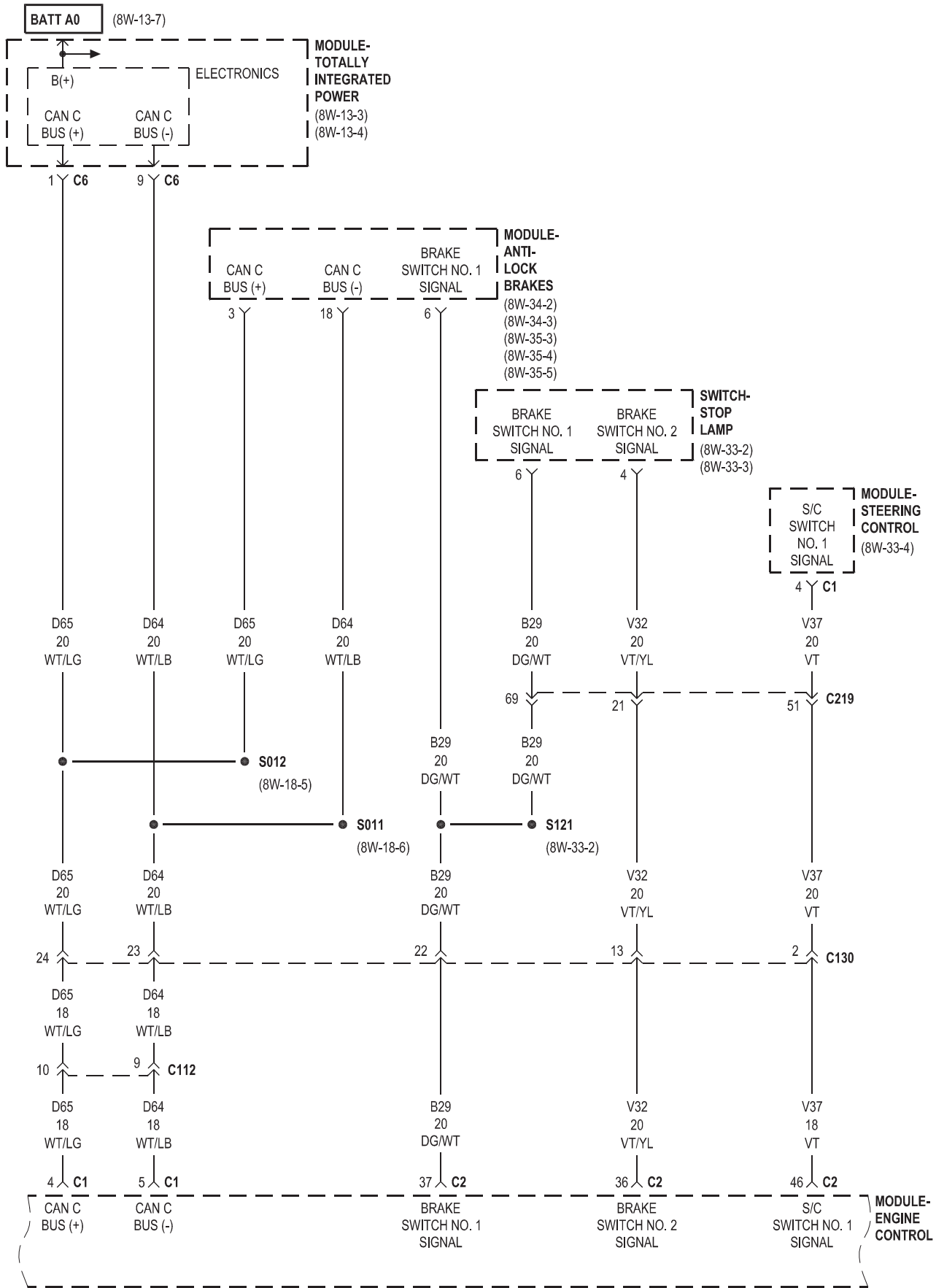








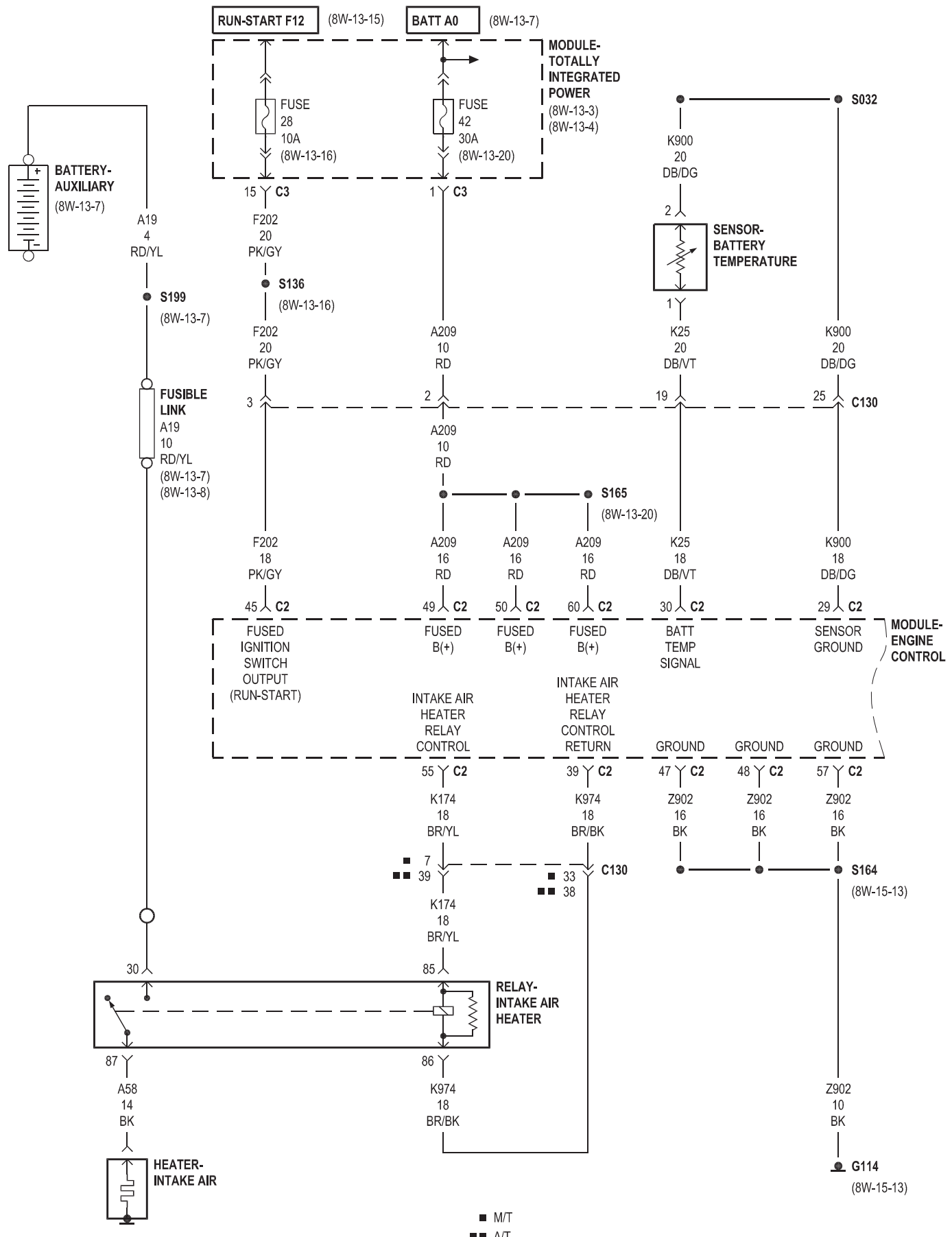


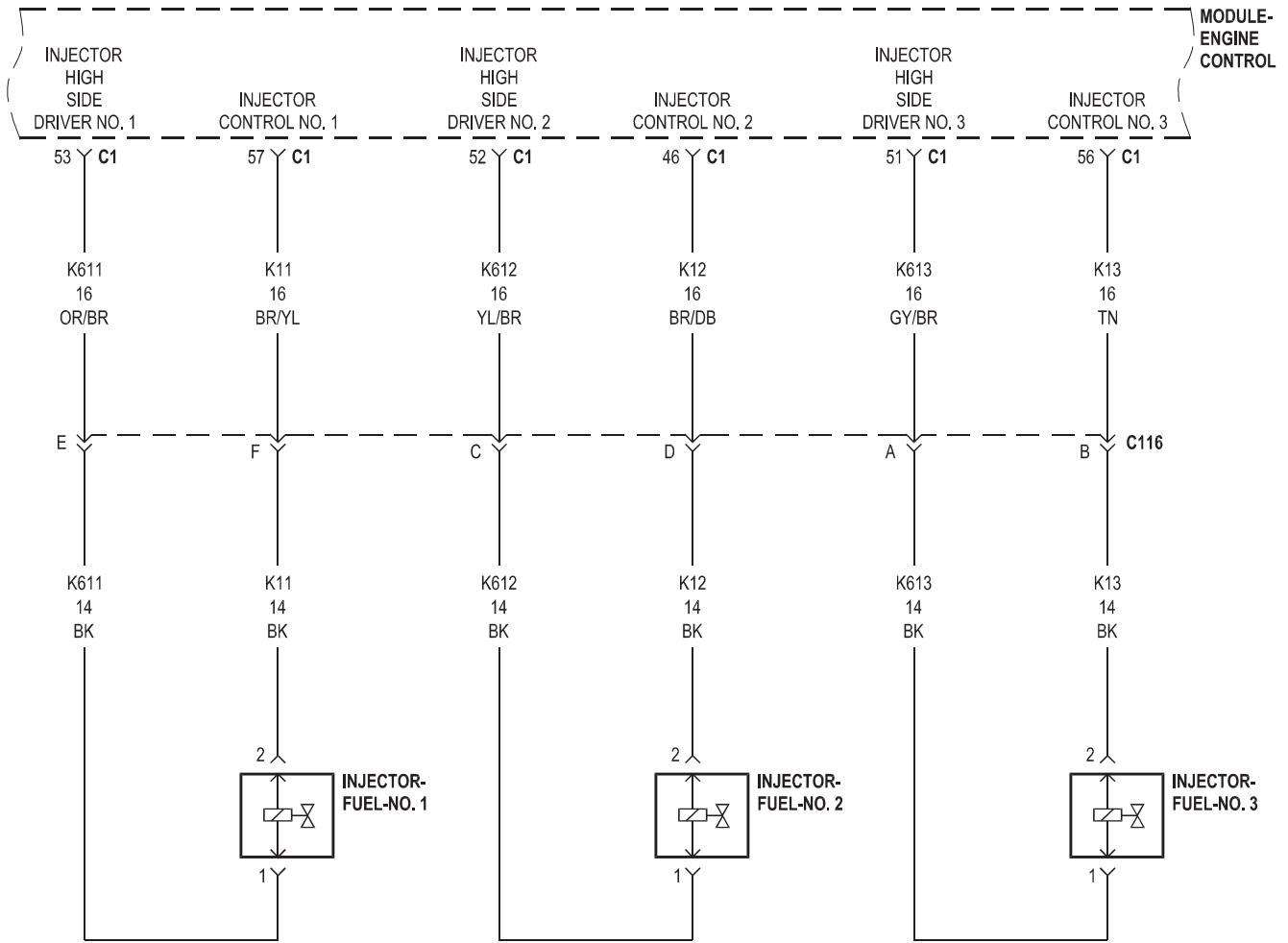


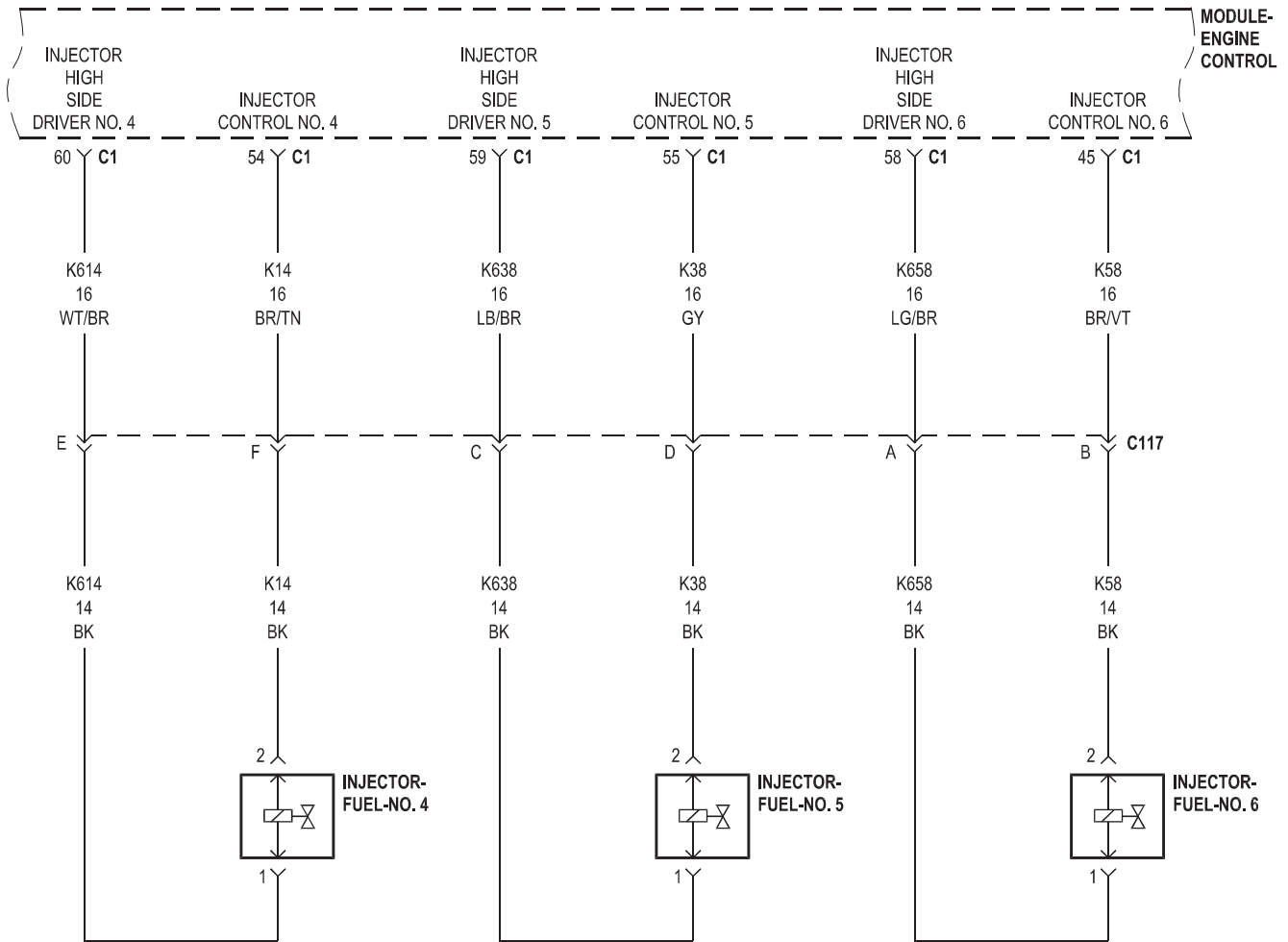
xx

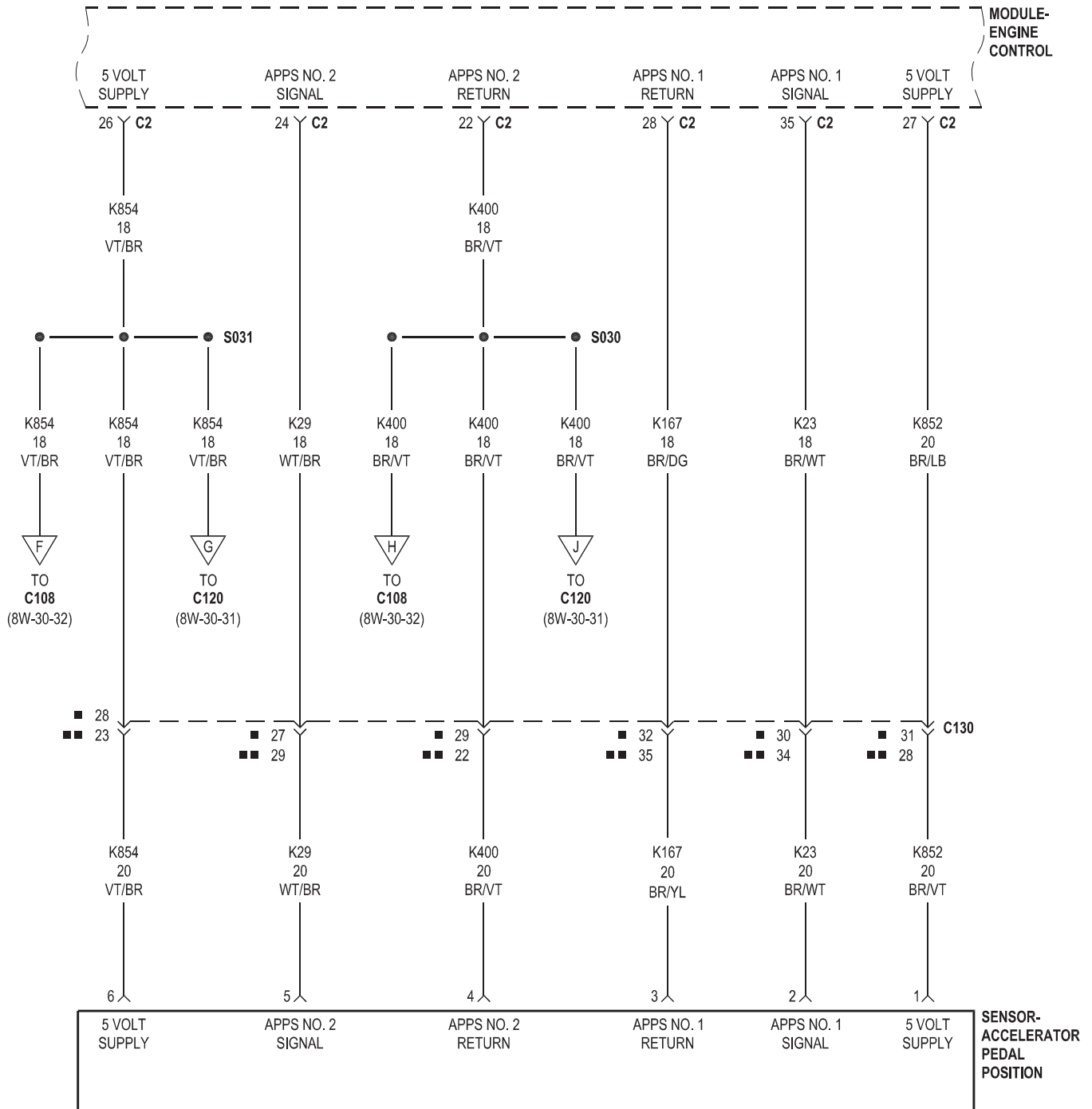
⌘ NOTE: D64, D65 CIRCUITS ARE TWISTED PAIR

6.7L DIESEL

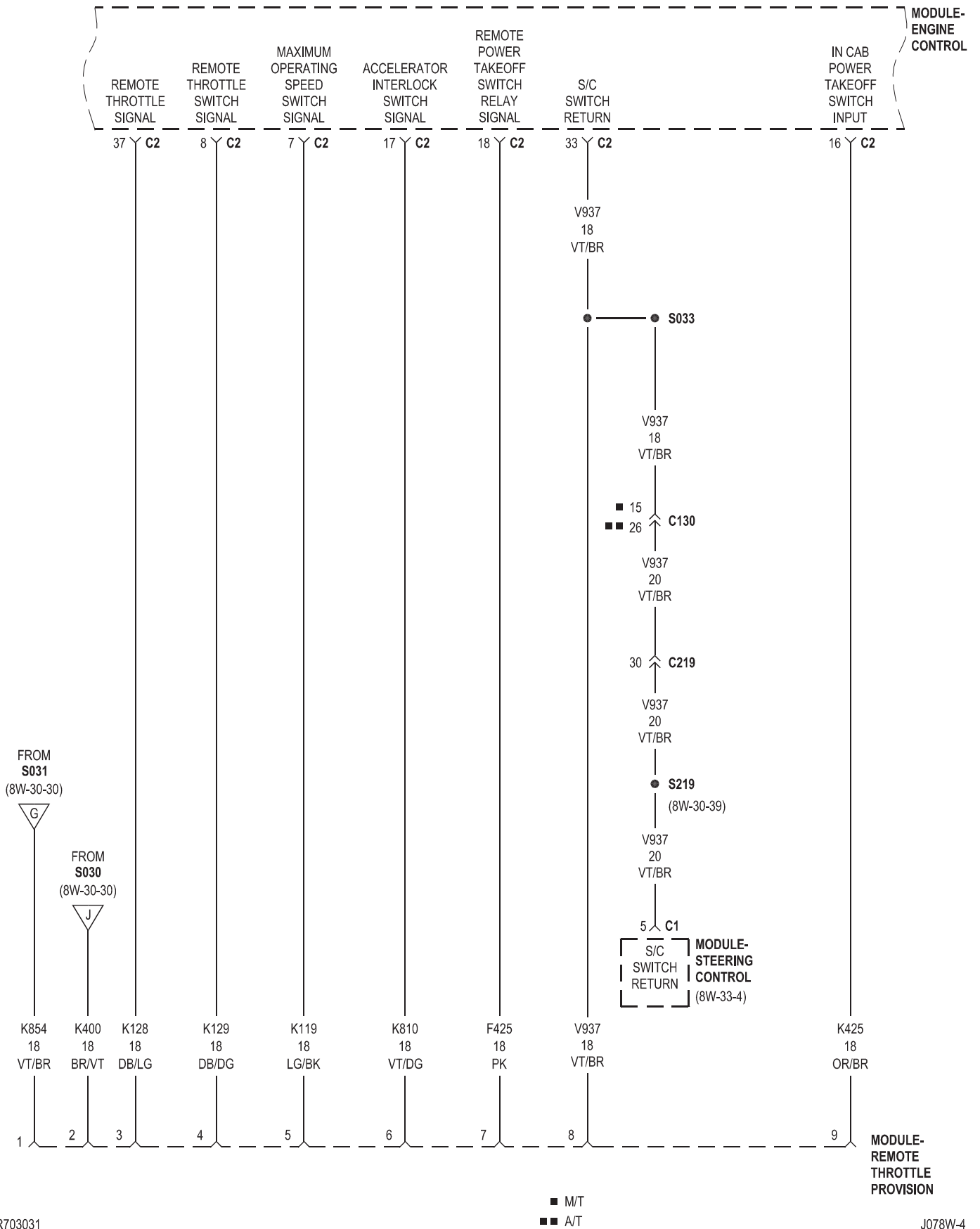


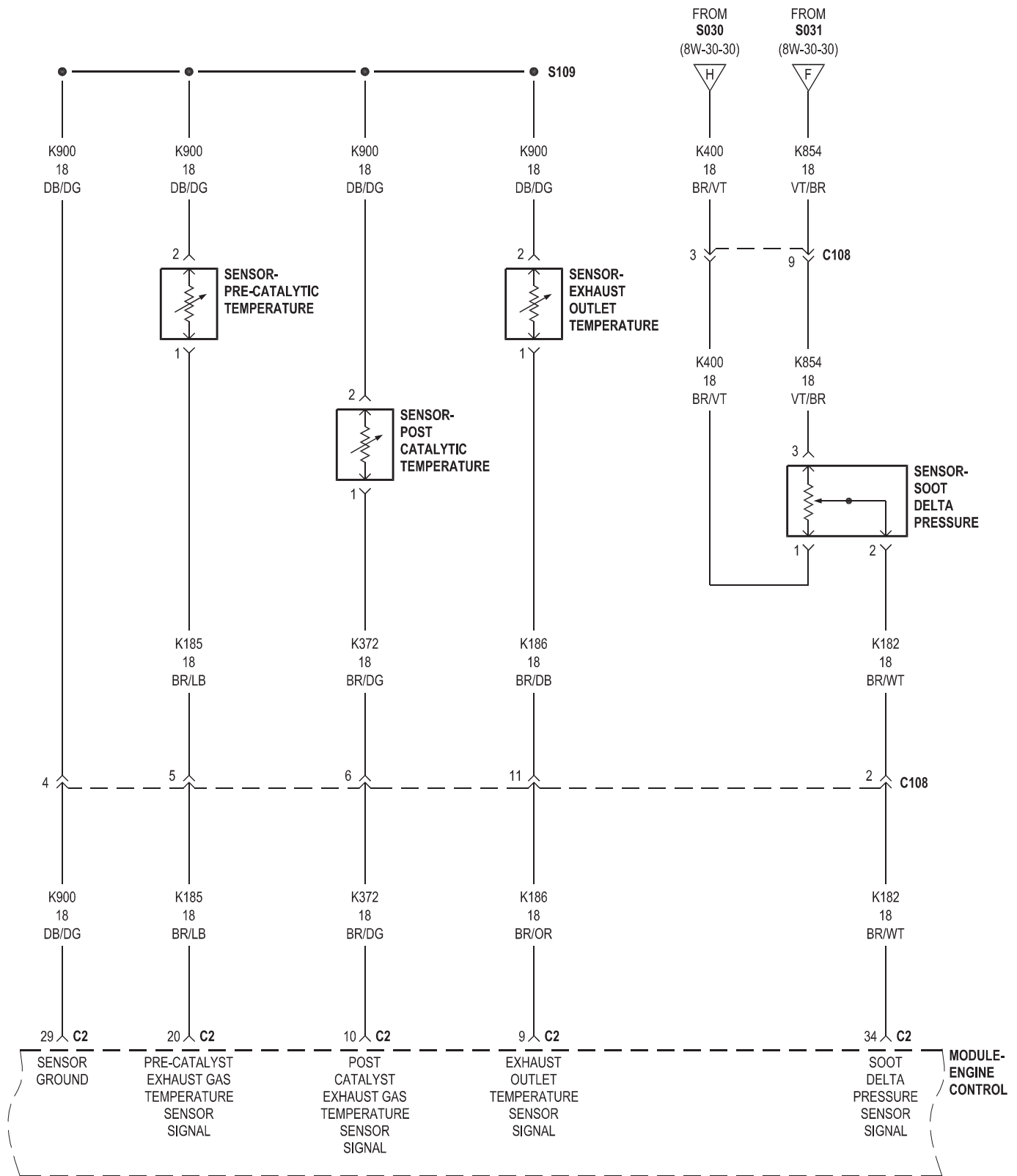


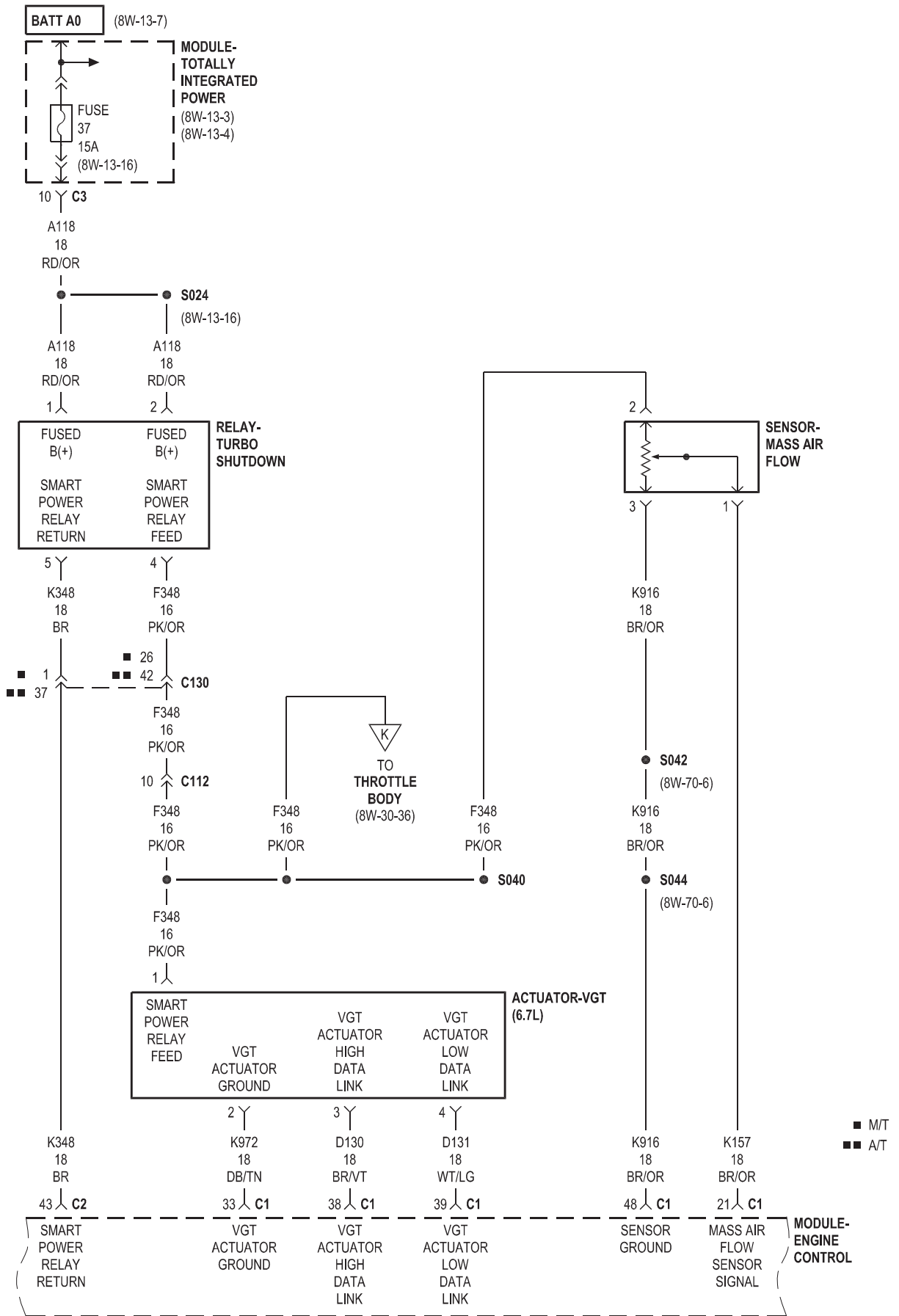


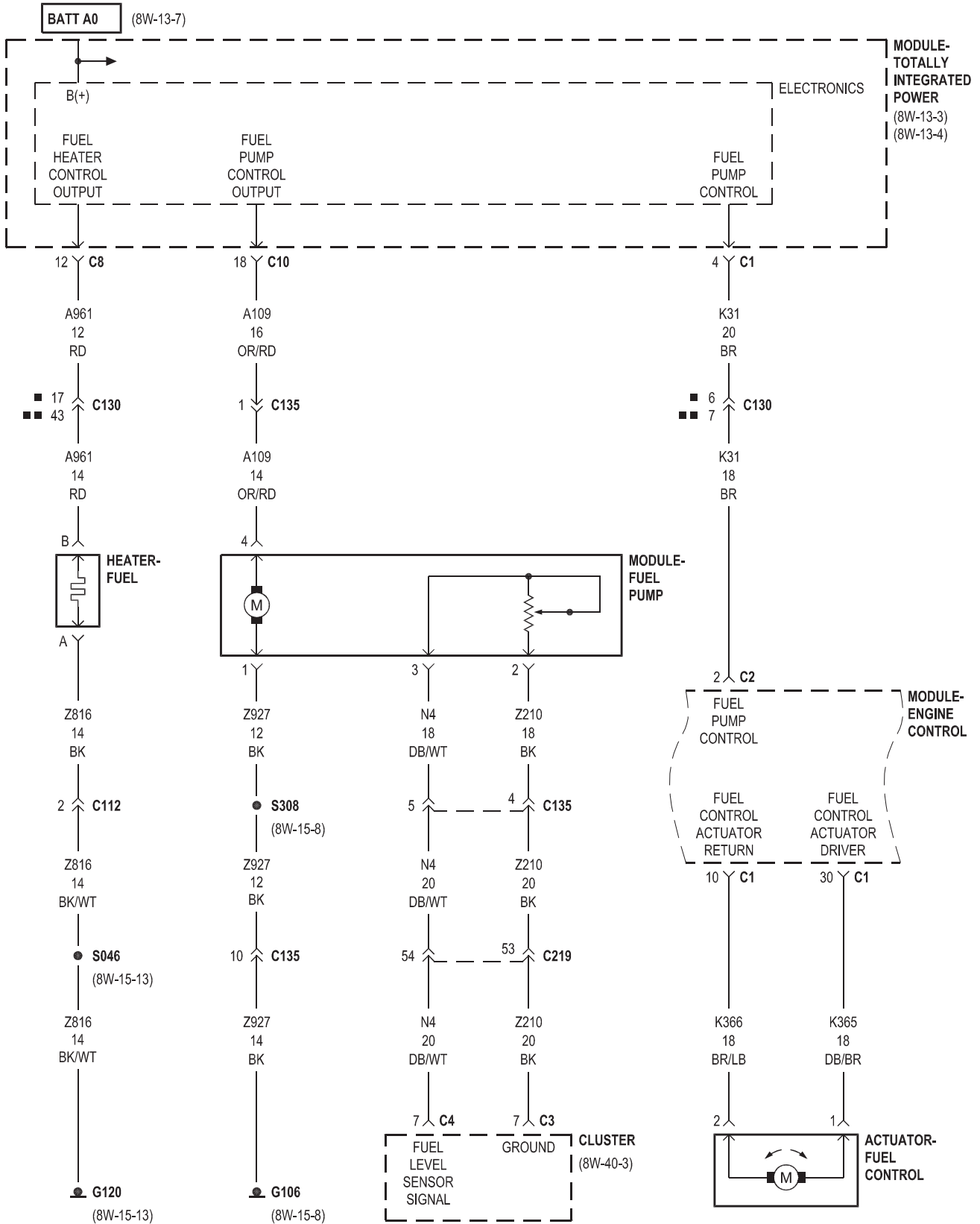


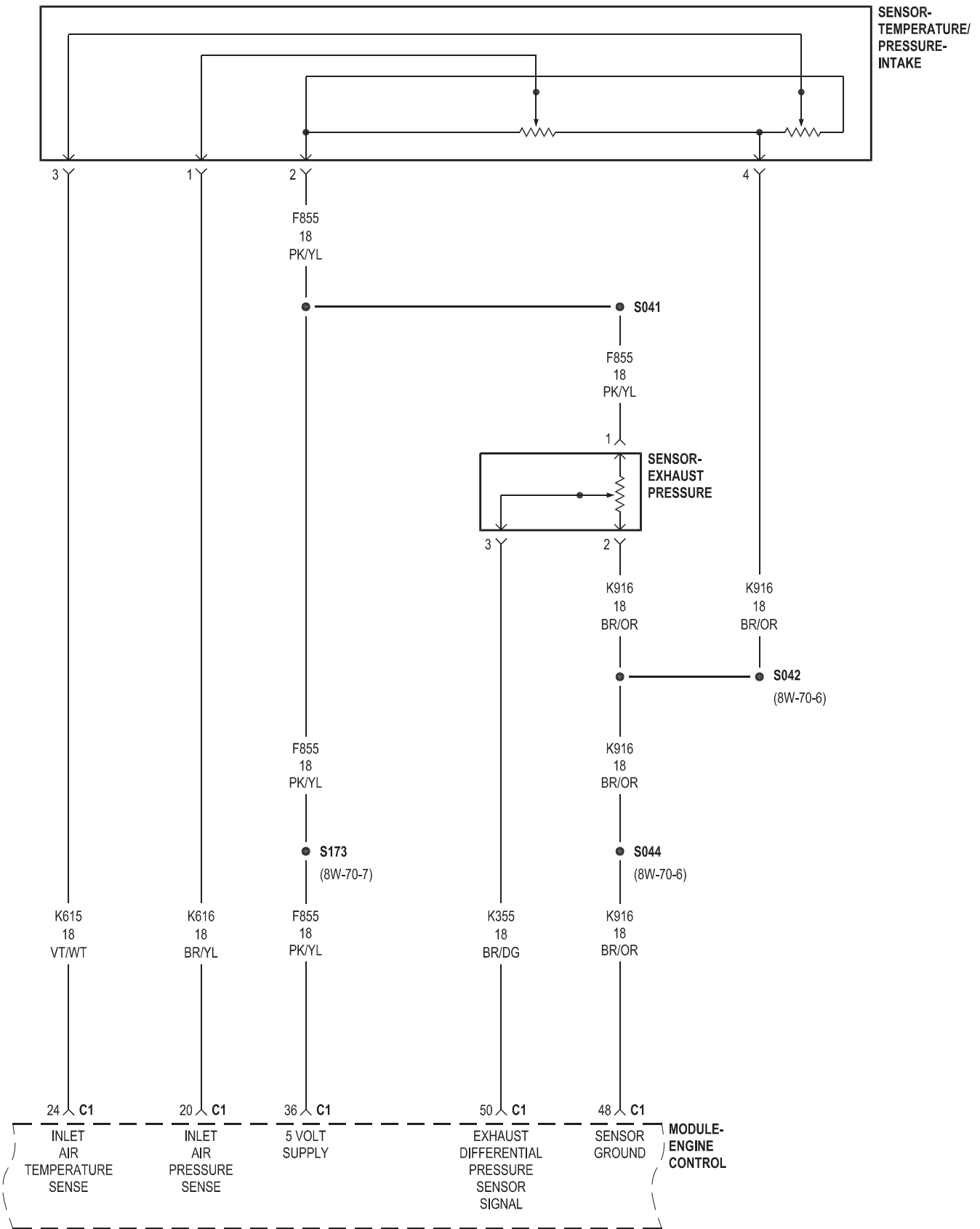
■ M/T
■ A/T

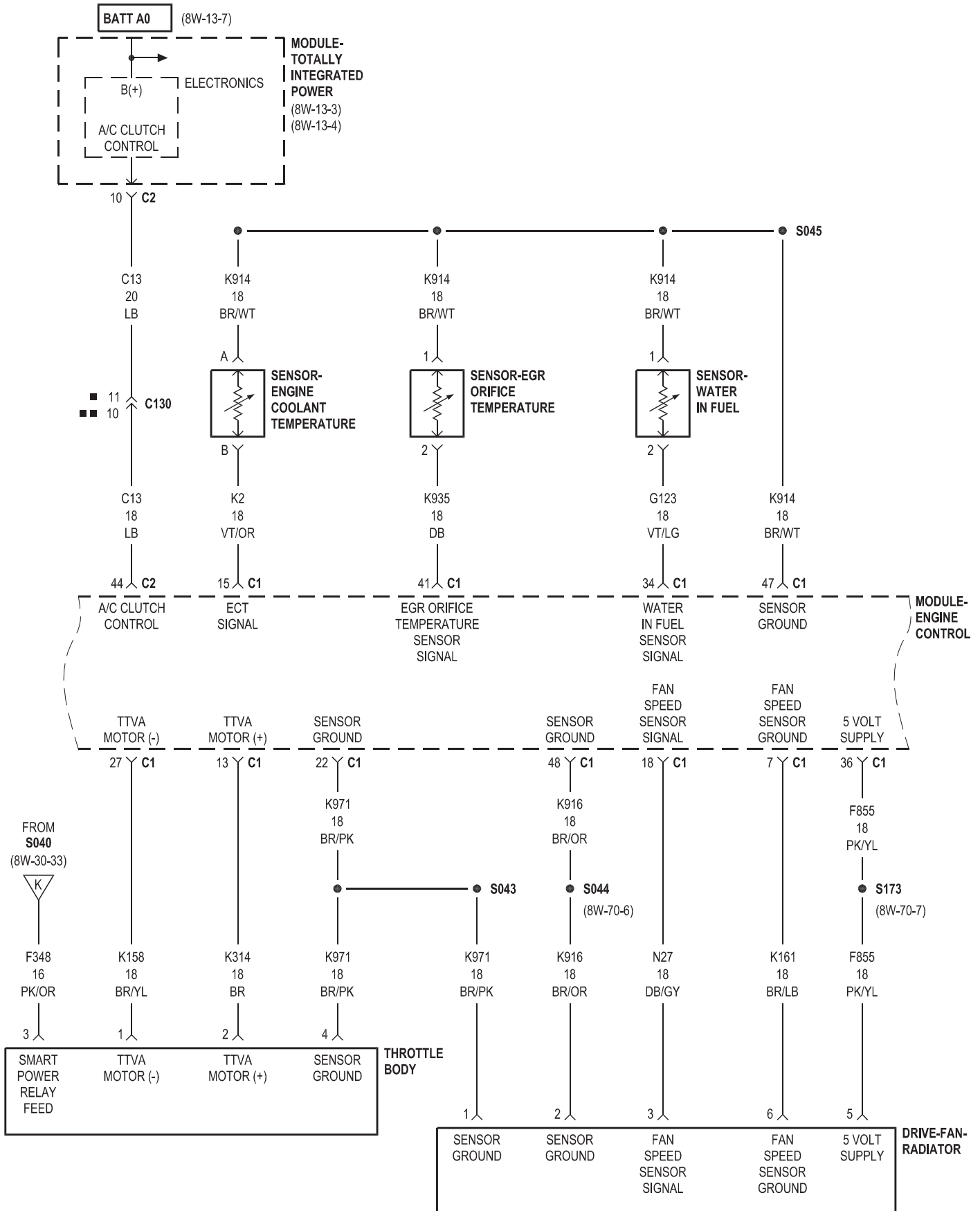


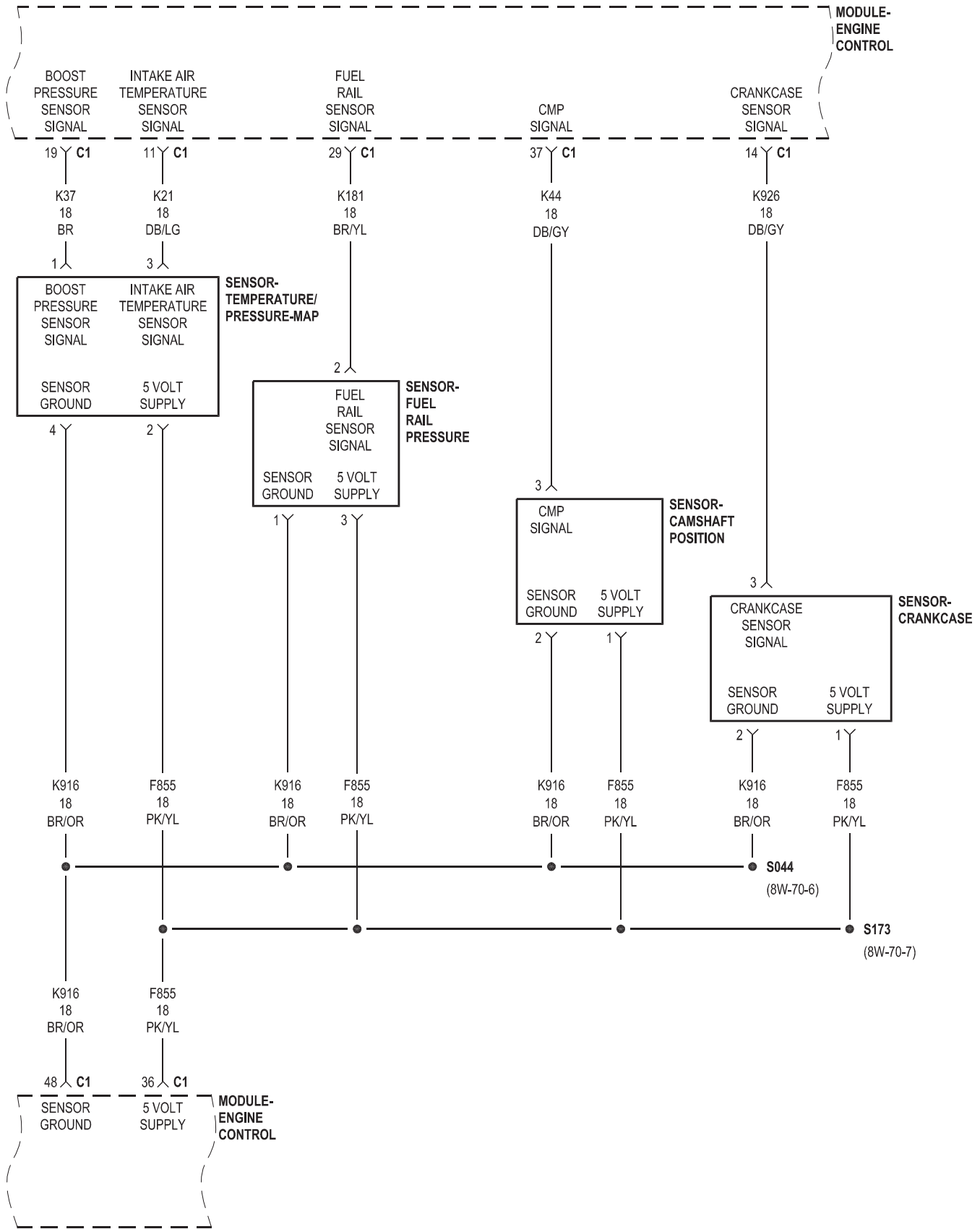


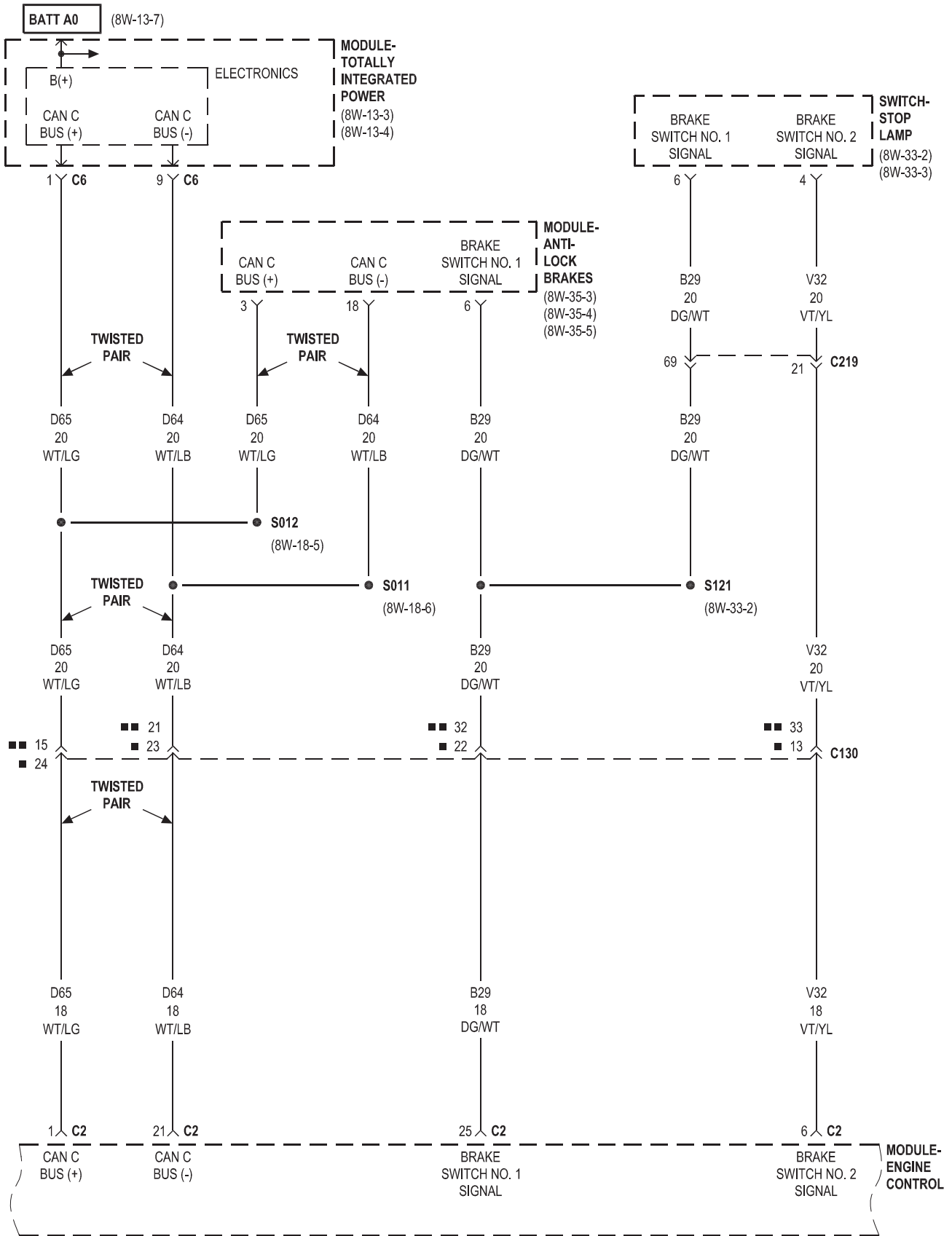












■ M/T
■ A/T

