

8W - 91 CONNECTOR / GROUND / SPLICE LOCATION

TABLE OF CONTENTS

page

CONNECTOR/GROUND/SPLICE LOCATION
 DESCRIPTION 1

CONNECTOR / GROUND / SPLICE LOCATION

Use the wiring diagrams in each section for connector, ground, and splice identification. Refer to the appropriate index for the proper figure number. For items that are not shown in this section N/S is placed in the Fig. column.

DESCRIPTION

This section provides illustrations identifying connector, ground, and splice locations in the vehicle. Connector, ground, and splice indexes are provided.

CONNECTORS

CONNECTOR NAME/NUMBER	COLOR	LOCATION	FIG.
A/C Compressor Clutch	LTFY	Top of A/C Compressor	10, 11, 15, 17, 18
A/C Pressure Sensor	GY	At Throttle Body	9, 10, 15, 16, 17
A/C-Heater Control C1 (MTC)	BK/RD	Rear of Control	20, 23, 25
A/C-Heater Control C2 (MTC)	BK/BL	Rear of Control	20, 23, 25
Accelerator Pedal Position Sensor (Diesel)		At Accelerator Pedal	44
Adjustable Pedals Module (Except Export)		Near Brake Lamp Switch	N/S
Adjustable Pedals Motor		On Pedal Support	N/S
Adjustable Pedals Relay (Except Export)		Left Side Engine Compartment	6
Adjustable Pedals Sensor		On Adjustable Pedals Motor	N/S
Adjustable Pedals Switch (Except Export)		Left Side Kick Panel	43
Ambient Temperature Sensor (Except Base)	BK	On Radiator Closure Panel	1
Amplifier C1	NAT	Right Quarter Panel	50
Amplifier C2	NAT	Right Quarter Panel	50
Antenna-Satellite Radio		Right Rear Body	N/S
ATC Remote Sensor		Above ATC Control	N/S
Auto Temp Control C1	NAT	Rear of Control	20
Auto Temp Control C2	BK	Rear of Control	20
Auto Temp Control C3 (MTX)		Rear of Control	N/S
Back-Up Lamp Switch	BK	On Transmission	16
Battery Temperature Sensor	BK	At Battery	N/S
Blower Motor Resistor C1 (MTC)	BK	Right Side of HVAC	N/S
Blower Motor Resistor C2 (MTC)	BK	Right Side of HVAC	N/S
Body Control Module C1	BK	Under Left Instrument Panel	43, 44

CONNECTOR NAME/NUMBER	COLOR	LOCATION	FIG.
Body Control Module C2	BK/GN	Under Left Instrument Panel	43, 44
Body Control Module C3	BK/WT	Under Left Instrument Panel	43, 44
Body Control Module C4	BK/GY	Under Left Instrument Panel	20, 21, 30
Body Control Module C5	BK	Under Left Instrument Panel	N/S
Boost Pressure Sensor (Diesel)	BK	Top Left of Engine	15
Brake Fluid Level Switch	BK	On Master Cylinder	6
Brake Lamp Switch	BK	At Top Of Brake Pedal	43, 44
Brake Transmission Shift Interlock Solenoid (EATX)	BK	Near Steering Column	20, 21, 22, 31
C100	BK	Left Fender Shield	5, 11
C101	LTGY	Left Fender Shield	5
C102 (Gas)	BK	At Fuel Rail	11, 17
C103 (Diesel)	BK	Left Side Engine Compartment	N/S
C104 (Except Export	LTGY	Near Controller Antilock Brake	18
C106 (Export)	BK/YL	Near Left Headlamp Leveling Motor	N/S
C107 (Export)	BK/YL	Near Right Headlamp Leveling Motor	N/S
C111 (EATX)	LTGY	Left Front Engine	11
C112 (Gas)	BK	Near T/O for C101	N/S
C200	GY	Left Side Instrument Panel	20, 21, 30, 43, 44
C202	GY	Right Side Instrument Panel A/C Heater Unit	20, 24, 29
C204 (Premium	NAT	Rear of Radio	52
C206	BK	Near Radio	20
C207		Near Radio	N/S
C300 (LHD)	BK	Left Front Door Lower	38, 45
C300 (RHD)	BK	Right Front Door Lower	N/S
C301	LTGY	Left Front Door Upper	38, 45
C302	LTGY	Right Front Door Upper	8, 33, 41, 46
C303	BK	Right Front Door Lower	8, 33, 41, 46
C304 (LHD)	YL	Left Wire Track Seat to Body	32
C305	GY	Left Wire Track Seat to Body	32 35
C306 (RHD)	YL	Right Wire Track Seat to Body	35
C307	YL	Right Wire Track Seat to Body	34
C308 (Except Side Airbags)	GN	Left Rear Sliding Door	42
C309 (Except Side Airbags)	GN/GY	Right Rear Sliding Door	35, 41
C310 (Front Console)	BK	At Front Console	36
C311 (3 Zone HVAC)	GY	Rear A/C Switch	42
C312	GY	Right B Pillar	35, 41, 52
C313 (Rear Console/Export)	BK	At Rear Console	36
C314	BK	Left Side Liftgate	51
C315 (Power Liftgate)	BK	Right Side Liftgate	51
C316 (Power Sliding Door)	BK	Wire Track to Sliding Door	N/S

CONNECTOR NAME/NUMBER	COLOR	LOCATION	FIG.
C317 (Power Sliding Door)	BK	Right Sliding Door	35, 47
C318 (Trailer Tow)	BK	Left Quarter	N/S
C319 (Trailer Tow)			
C320	DKGY	Driver Power Seat on Seat Har- ness	N/S
C321	DKGY	Under Passenger Seat	N/S
C322 (Memory)	BK	On Seat Harness to Body	32
C324 (Manual Sliding Door)	BK	Left Sliding Door	N/S
C325 (Manual Sliding Door)		Right Sliding Door	35
C328 (Sunroof)		Left Quarter Panel	49
C329 (Diesel)	BK	Near Fuel Tank	N/S
C330 (Diesel)	LTGY	Near Throttle Body	15, 16
C331 (Diesel)	BK	Left Rear Engine Compartment	N/S
C332 (3 Zone ATC)	BK/LTGN	Near T/O for Right Rear Lamp As- sembly	50
C333 (Except Export	DKGY	Left Side Instrument Panel	21
C334	BK	Right Quarter Panel	50
C335	LTGY	Near Fuel Tank	36
Cabin Heater Assist C1 (Diesel)	BK	Top of Engine	N/S
Cabin Heater Assist C2 (Diesel)	BK	Top of Engine	N/S
Camshaft Position Sensor (Gas)	BK	Rear of Cylinder Head Right Side of Engine	11, 17
Camshaft Position Sensor (Die- sel)	BK	Rear of Cylinder Head	15, 16
CD Changer		Behind CD Changer	N/S
Center High Mounted Stop Lamp	BK	At Lamp	51
Clockspring - C1	WT	Steering Column	20, 21, 22, 23, 31
Clockspring - C2	YL	Steering Column	20, 21, 22, 23, 31
Clockspring - C3	BK	Steering Column	N/S
Clockspring - C4		Steering Column	N/S
Clutch Pedal Interlock Switch (MTX)	BK	At Switch/Driver Side	44
Clutch Pedal Upstop Switch (Diesel)	RD	At Switch/Driver Side	44
Controller Anti-Lock Brake	BK	Right Side of Engine Compartment	11, 16, 17, 18
Crank Case Ventilation Heater (Diesel)	BK	Top of Cylinder Head	15
Crankshaft Position Sensor (Die- sel)	BK	Rear of Engine	16
Crankshaft Position Sensor (Gas)	BK	Rear of Engine	13, 17
Data Link Connector	BK	Lower Instrument Panel Near Steering Column	43, 44
Dosing Pump (Diesel)	BK	Top of Engine	N/S
Driver Airbag Squib1	BN/YL	Steering Column	N/S
Driver Airbag Squib2	BK/YL	Steering Column	N/S

CONNECTOR NAME/NUMBER	COLOR	LOCATION	FIG.
Driver Blend Door Actuator	GY	On HVAC	N/S
Driver Door Courtesy Lamp	GY	At Lamp	45
Driver Door Lock Switch	BK	At Switch	45
Driver Heated Seat Back	LTGN	At Seat	N/S
Driver Heated Seat Cushion	BK	At Seat	N/S
Driver Heated Seat Module C1	GY	Driver Heated Seat	N/S
Driver Heated Seat Module C2	GY	Driver Heated Seat Back	N/S
Driver Heated Seat Module C3	GN	At Seat	N/S
Driver Knee Blocker Airbag Squib	YL	Below Steering Column	21
Driver Power Seat Front Riser Motor	RD	At Seat	N/S
Driver Power Seat Front Riser Position Sensor	BK	At Seat	N/S
Driver Power Seat Horizontal Motor	BK	At Seat	N/S
Driver Power Seat Horizontal Position Sensor	BK	At Seat	N/S
Driver Power Seat Rear Riser Motor	RD	At Seat	N/S
Driver Power Seat Rear Riser Position Sensor	BK	At Seat	N/S
Driver Power Seat Recliner Motor	GN	At Seat	N/S
Driver Power Seat Recliner Position Sensor	BK	At Seat	N/S
Driver Power Seat Switch	GN	At Switch	N/S
Driver Power Window Motor	RD	At Motor	45
Driver Power Window Switch (LHD Low Line)	LTGY	At Switch	45
Driver Power Window Switch (LHD Except Low Line)	LTGN	At Switch	N/S
Driver Power Window Switch (RHD)	NAT	At Switch	N/S
Driver Seat Belt Switch	WT	At Switch on Seat Harness	N/S
Driver Seat Belt Tensioner	YL	On Seat Harness	N/S
DVD Screen	BK	Headliner	52
DVD/CD Changer C1	BK	Below Radio	N/S
DVD/CD Changer C2		Below Radio	N/S
EGR Solenoid (Diesel)	LTGY	Above Transmission Right Side of Engine	15
EGR Solenoid (3.3L)	BK	Above A/C Compressor Right Side of Engine	18
Engine Control Module C1 (Diesel)	BK	Right Side of Engine	N/S
Engine Control Module C2 (Diesel)	BK	Right Side of Engine	N/S

CONNECTOR NAME/NUMBER	COLOR	LOCATION	FIG.
Engine Coolant Temp Sensor (Gas)	BK	On Cylinder Block	N/S
Engine Oil Pressure Sensor (Diesel)	BK	Rear of Engine	16
Engine Coolant Temp Sensor (Diesel)	BL	On Cylinder Block	15
Engine Oil Pressure Switch (Gas)	LTGN	On Cylinder Block	12, 18
Engine Starter Motor		At Starter Motor	13, 15, 18
EVAP/Purge Solenoid (Gas)	BK	Right Motor Mount	10, 17
Evaporator Temperature Sensor	BK	Right Side of HVAC	N/S
Floor Console Lamp	BK	At Lamp	N/S
Floor Console Power Outlet	RD	At Front Console	N/S
Front Blower Module C1 (ATC)	BK	On HVAC	N/S
Front Blower Module C2 (ATC)	BK	On HVAC	N/S
Front Cigar Lighter	RD/NAT	Rear of Lighter	20, 23, 25
Front Control Module	BK	In Integrated Power Module	N/S
Front Intrusion Sensor (United Kingdom)	BK	At Sensor	N/S
Front Reading Lamps/Switch	BK	At Switch	N/S
Fuel Heater (Diesel)	BK	Left Rear Engine Compartment	N/S
Fuel Injector No.1 (2.4L/3.3L/3.8L)	BK	At Fuel Injector	N/S
Fuel Injector No.1 (Diesel)	BK	At Fuel Injector	15
Fuel Injector No.2 (2.4L/3.3L/3.8L)	BK	At Fuel Injector	N/S
Fuel Injector No.2 (Diesel)	BK	At Fuel Injector	15
Fuel Injector No.3 (2.4L/3.3L/3.8L)	BK	At Fuel Injector	N/S
Fuel Injector No.3 (Diesel)	BK	At Fuel Injector	15
Fuel Injector No.4 (2.4L/3.3L/3.8L)	BK	At Fuel Injector	N/S
Fuel Injector No.4 (Diesel)	BK	At Fuel Injector	15
Fuel Injector No.5 (3.3L/3.8L)	BK	At Fuel Injector	N/S
Fuel Injector No.6 (3.3L/3.8L)	BK	At Fuel Injector	N/S
Fuel Pressure Sensor (Diesel)	BK	Top Left of Engine	15
Fuel Pressure Solenoid (Diesel)		Right Front Engine	15
Fuel Pump Module	LTGY	Side of Fuel Tank	36
Generator	BK	Rear of Generator	11, 15, 17, 18
Glow Plug No.1 (Diesel)		Top of Engine	N/S
Glow Plug No.2 (Diesel)		Top of Engine	15
Glow Plug No.3 (Diesel)		Top of Engine	15
Glow Plug No.4 (Diesel)		Top of Engine	15
Glow Plug Relay (Diesel)	BK	Near Transmission	15, 16
Hands Free Module C1		Instrument Panel	N/S

CONNECTOR NAME/NUMBER	COLOR	LOCATION	FIG.
Hands Free Module C2	BK	Instrument Panel	N/S
Hands Free Module C3		Instrument Panel	N/S
Hands Free Module C3 (Satellite Radio)		Instrument Panel	N/S
Headlamp Switch	BK	Rear of Switch	20, 21, 30
Headlamp Washer Pump Motor (Export)	BK	At Motor	3
High Note Horn	BK	Left Frame Rail	5
Hood Ajar Switch (Export)	BK	Left Fender	6
Idle Air Control Motor (Gas)	BK	On Throttle Body	10, 11 17
Ignition Coil (2.4L)	BK	Top of Valve Cover	10, 11
Ignition Coil (3.3L/ 3.8L)	DKGY	Top of Engine	17, 18
Ignition Switch	BK	Rear of Switch at Steering Column	20, 21, 22, 23, 31
Inlet Air Temperature Sensor	BK	Top Left of Engine	9, 10, 11, 17
Input Speed Sensor	GY	Front of Transmission	14, 19
Instrument Cluster	BK	Rear of Cluster	20, 21, 28
Instrument Panel Switch Bank (Heated Seats)	BK	Right Center of Instrument Panel	20, 23, 25
Instrument Panel Switch Bank (Except Heated Seats)		Right Center of Instrument Panel	20, 23, 25
Integrated Power Module C1		Left Fender Shield	7
Integrated Power Module C2	GN/BL	Left Fender Shield	7
Integrated Power Module C3		Left Fender Shield	7, 11
Integrated Power Module C4	BL	Left Fender Shield	7, 11
Integrated Power Module C5	BK	Left Fender Shield	7
Integrated Power Module C6	NAT	Left Fender Shield	7
Integrated Power Module C7		Left Fender Shield	7
Integrated Power Module C8	OR	Left Fender Shield	7
Integrated Power Module C9	BK	Left Fender Shield	7
Knock Sensor (Except Export)	BK	At Engine Block	11
Left B Pillar Switch (Power Sliding Door)	GY	Left B Pillar	42
Left Cinch/Release Motor (Power Sliding Door)	GY	Left Sliding Door	N/S
Left Curtain Airbag Squib		Rear of Left Roof Rail	49
Left Cylinder Lock Switch	BK	At Switch	45
Left Door Speaker	BK	At Speaker	45
Left Fog Lamp	BK	At Lamp	5
Left Front Door Ajar Switch (Base)	BK	At Switch	N/S
Left Front Door Lock Motor/Ajar Switch (Except Base)	BK	Left Door	45
Left Front Impact Sensor	BK	Near T/O for C101	5
Left Front Park/Turn Signal Lamp (Except Export)	DKGY	At Lamp	1

CONNECTOR NAME/NUMBER	COLOR	LOCATION	FIG.
Left Front Wheel Speed Sensor	GY	Left Fender Side Shield	5, 11
Left Full Open Switch (Power Sliding Door)	BK	Left Sliding Door	N/S
Left Headlamp	BK	At Lamp	1
Left Headlamp	GN	At Lamp	1
Left Headlamp Leveling Motor (Export)	WT	At Motor	N/S
Left High Beam Lamp (Export)	BK	At Lamp	N/S
Left Instrument Panel Speaker	WT	At Speaker	20, 21, 27
Left Liftgate Flood Lamp (Power Liftgate)	GY	At Lamp	51
Left Low Beam Lamp (Export)	BK	At Lamp	N/S
Left Mid Reading Lamp (Premium/Luxury)	GY	At Lamp	N/S
Left Park Lamp (Export)	BK	At Lamp	NS
Left Power Mirror	BK	At Mirror	27
Left Rear Lamp Assembly	BK	At Lamp	49
Left Rear Pillar Speaker (Highline Audio)	BK	Left of Liftgate	49
Left Rear Reading Lamp (Luxury)	GY	At Lamp	N/S
Left Rear Speaker (Highline)	BK/RD	At Speaker	49
Left Rear Speaker (Lowline)		At Speaker	N/S
Left Rear Vent Motor	NAT	At Motor	48, 49
Left Rear Wheel Speed Sensor	BK	Center Rear of Floor Pan	49
Left Remote Radio Switch	BK	Steering Wheel	N/S
Left Repeater Lamp (Export)	GY	Left Front Fender	4, 38
Left Side Impact Sensor 1	DKGY	Left B Pillar	42
Left Side Impact Sensor 2		Left Sliding Door	N/S
Left Side Impact Sensor 3	BK	Left Quarter Panel	49
Left Sliding Door Control Module C1	BK	Left Sliding Door	N/S
Left Sliding Door Control Module C2		Left Sliding Door	N/S
Left Sliding Door Latch Sensing Switch	BK	Left Sliding Door	N/S
Left Sliding Door Lock Motor	BK	Left Sliding Door	N/S
Left Sliding Door Lock Motor/Ajar Switch (Manual Sliding Door)	BK	Left Sliding Door	N/S
Left Sliding Door Motor	BK	Left Sliding Door	N/S
Left Speed Control Switch	WT	Steering Wheel	N/S
Left Turn Signal Lamp (Export)	OR	AT Lamp	N/S
Left Visor/Vanity Lamp	BK	At Lamp	N/S
License Lamp	DKGY	At Lamp	51
Lift Pump Motor (Diesel)	BK	Left Rear Engine Compartment	N/S
Liftgate Ajar Switch	BK	At Latch	51

CONNECTOR NAME/NUMBER	COLOR	LOCATION	FIG.
Liftgate Cinch/Release Motor (Power Liftgate)	BL	Liftgate	51
Liftgate Left Pinch Sensor (Power Liftgate)	BK	Left Side of Liftgate	51
Liftgate Right Pinch Sensor (Power Liftgate)	BK	Right Side of Liftgate	51
Manifold Absolute Pressure Sensor (Gas)	BK	On Intake	N/S
Mass Air Flow Sensor (Diesel)	OR	Top of Engine	15, 16
Memory Seat/Mirror/Adjustable Pedals Module C1	GY	Under Driver Seat	N/S
Memory Seat/Mirror/ Adjustable Pedals Module C2	GY	Under Driver Seat	N/S
Memory Seat/Mirror/ Adjustable Pedals Module C3	WT	Under Driver Seat	N/S
Memory Seat/Mirror/ Adjustable Pedals Module C4	GY	Under Driver Seat	N/S
Memory Set Switch	BK	At Switch Driver Door	45
Message Center (Highline)	WT	Rear of Message Center	20, 21, 28
Mode Door Actuator	GY	Left Side of HVAC	N/S
Multi Function Switch	BK	At Steering Column	20, 21, 22, 23, 31
Natural Vacuum Leak Detection Assembly (Except Export)	LTTY	Top of Engine	12
Occupant Classification Module	BK	Passenger Seat	N/S
Occupant Restraint Controller C1	YL	Right Side Instrument Panel	33
Occupant Restraint Controller C2	YL	Right Side Instrument Panel	20, 24, 25
Output Speed Sensor	GY	Front of Transmission	14, 19
Overhead Console (Except Base)	BK	Front of Console	N/S
Oxygen Sensor 1/1 Upstream (Gas)		Rear of Engine	11, 12, 17
Oxygen Sensor 1/2 Downstream (Gas)		Rear of Engine	11, 12,18
Park Brake Switch		Bottom Left Side of Instrument Panel	20, 21
Park Sensor No.1 (Parktronics)		Rear Fascia	N/S
Park Sensor No.2 (Parktronics)		Rear Fascia	N/S
Park Sensor No.3 (Parktronics)		Rear Fascia	N/S
Park Sensor No.4 (Parktronics)		Rear Fascia	N/S
Passenger Airbag	YL	Passenger Side of Instrument Panel	20, 23, 24, 25
Passenger Airbag On/Off Indicator Lamp		Right Center of Instrument Panel	20, 23, 25
Passenger Blend Door Actuator	GY	On HVAC	N/S
Passenger Door Courtesy Lamp	GY	At Lamp	46
Passenger Door Lock Switch	BK	At Switch	46

CONNECTOR NAME/NUMBER	COLOR	LOCATION	FIG.
Passenger Folding Mirror Relay (Export)	BL	Left Kick Panel	7
Passenger Heated Seat Back	GN	At Seat	N/S
Passenger Heated Seat Cushion	BK	At Seat	N/S
Passenger Heated Seat Module	GY	At Heated Seat	N/S
Passenger Power Seat Front Riser Motor	RD	Under Seat	N/S
Passenger Power Seat Horizontal Motor	BK	Under Seat	N/S
Passenger Power Seat Rear Riser Motor	RD	Under Seat	N/S
Passenger Power Seat Recliner Motor	GN	Under Seat	N/S
Passenger Power Seat Switch	GN	At Switch	N/S
Passenger Power Window Motor	RD	At Motor	46
Passenger Power Window Switch	BK	At Switch	46
Passenger Seat Belt Switch (Occupant Sensing)	YL	On Seat Harness	N/S
Passenger Seat Belt Tensioner		On Seat Harness	34
Passenger Seat Weight Sensor	BK	Passenger Seat	N/S
Power Folding Mirror Switch (Export)	BK	Near Steering Column	31
Power Liftgate Module C1	BK	Left Quarter	48, 49
Power Liftgate Module C2		Left Quarter	48, 49
Power Liftgate Motor	BK	Left Quarter	49
Power Mirror Switch	BK	Rear of Switch	30
Power Outlet (Except Lowline)	BK	Instrument Panel	20, 23, 25
Power Seat Circuit Breaker	GY	Under Seat	N/S
Powertrain Control Module C1	BK	Left Front Engine Compartment	11
Powertrain Control Module C2	OR	Left Front Engine Compartment	11
Powertrain Control Module C3	NAT	Left Front Engine Compartment	11
Powertrain Control Module C4	GN	Left Front Engine Compartment	11
Power Window Circuit Breaker	GY	Left Side Kick Panel	43 44
Radiator Fan No.1 (Gas)	BK	Left Side At Motor	1
Radiator Fan No.1 (Diesel)	GY	Left Side At Motor	1
Radiator Fan No.2 (Gas)	BK	Right Side At Motor	1, 2
Radiator Fan No.2 (Diesel)	GY	Right Side At Motor	1, 2
Radiator Fan Relay (Gas)		Top of Left Front Frame Rail	1
Radiator Fan Relay No. 1 (Diesel)	BL	Left Front Engine Compartment	2
Radiator Fan Relay No. 2 (Diesel)	BL	Left Front Engine Compartment	2
Radiator Fan Relay No. 3 (Diesel)	BL	Left Front Engine Compartment	2
Radio C1		Rear of Radio	20

CONNECTOR NAME/NUMBER	COLOR	LOCATION	FIG.
Radio C2 (CD Changer)		Rear of Radio	20
Radio C2 (DVD/CD Changer)		Rear of Radio	20
Radio C2 (Hands Free)		Rear of Radio	20
Radio C2 (Satellite Radio)		Center Instrument Panel	N/S
Rear A/C-Heater Unit (3 Zone MTC)	LTGN	Right Quarter Panel	NS
Rear Auto Temp Control Switch (3 Zone ATC)	BK	Rear of Switch	52
Rear Blower Front Control Switch (3 Zone MTC)	BK	Rear of Switch	N/S
Rear Blower Motor Power Module C1 (3 Zone ATC)	RD/BK	Right Quarter	N/S
Rear Blower Motor Power Module C2 (3 Zone ATC)	BK	Right Quarter	N/S
Rear Blower Rear Control Switch C1 (3 Zone MTC)	BK	Overhead	52
Rear Blower Rear Control Switch C2 (3 Zone MTC)	BK	Overhead	52
Rear Dome Lamp (Except Luxury)	GY	At Lamp	N/S
Rear Intrusion Sensor (United Kingdom)		At Sensor	N/S
Rear Mode Motor (3 Zone ATC)	GY	At Motor	N/S
Rear Park Assist Display Module		Overhead Console	N/S
Rear Park Assist Module		Left Quarter Panel	49
Rear Power Outlet	GY	Left Quarter Panel	49
Rear Temperature Motor (3 Zone ATC)	GY	Right Quarter	N/S
Rear View Mirror C1	BK	At Mirror	NS
Rear View Mirror C2		At Mirror	N/S
Rear Window Defogger C1		Right Side of Liftgate	51
Rear Window Defogger C2		Left Side of Liftgate	51
Rear Wiper Motor		At Motor	51
Recirculation Door Actuator	GY	Right Side of HVAC	N/S
Right B-Pillar Switch (Power Sliding Door)	GY	Right B Pillar	41
Right Cinch/Release Motor (Power Sliding Door)	GY	Right Sliding Door	47
Right Curtain Airbag Squib		Rear of Right Roof Rail	50
Right Cylinder Lock Switch (Export)	BK	Right Front Door	46
Right Door Speaker		At Speaker	N/S
Right Fog Lamp	WT	At Lamp	3
Right Front Door Ajar Switch (Base)	BK	At B Pillar	N/S
Right Front Door Lock Motor/Ajar Switch (Except Base)	BK	Right Front Door	46

CONNECTOR NAME/NUMBER	COLOR	LOCATION	FIG.
Right Front Impact Sensor	BK	Near T/O for C303	N/S
Right Front Park/Turn Signal Lamp (Except Export)	BK	At Lamp	1, 3
Right Front Wheel Speed Sensor	GY	Right Fender Side Shield	3,10, 16, 17
Right Full Open Switch (Power Sliding Door)	BK	Right Sliding Door	47
Right Headlamp (Caravan/Voyager Except Export)	BK	At Lamp	1, 3
Right Headlamp Leveling Motor (Export)	WT	At Right Headlamp	N/S
Right High Beam Lamp (Export)	BK	At Right Headlamp	N/S
Right Instrument Panel Speaker	WT	At Speaker	20, 23, 24
Right Liftgate Flood Lamp (Power Liftgate)	GY	At Lamp	51
Right Low Beam Lamp (Export)	BK	At Right Headlamp	N/S
Right Mid Reading Lamp (Premium/ Luxury)	GY	At Lamp	N/S
Right Park Lamp (Export)	BK	AT Lamp	N/S
Right Power Mirror	BK	At Mirror	20, 24, 28
Right Rear Lamp Assembly	BK	At Lamp	50
Right Rear Pillar Speaker (Highline Audio)	BK	At Speaker	50
Right Rear Reading Lamp (Luxury)	GY	At Lamp	N/S
Right Rear Speaker		At Speaker	50
Right Rear Vent Motor	NAT	At Motor	50
Right Rear Wheel Speed Sensor	BK	Right Rear of Floor Pan	50
Right Remote Radio Switch	BK	At Steering Wheel	N/S
Right Repeater Lamp (Export)	GY	Right Front Fender	41
Right Side Impact Sensor 1		Right B Pillar	41
Right Side Impact Sensor 2		Right Sliding Door	35
Right Side Impact Sensor 3	BK	Right Quarter Panel	50
Right Sliding Door Control Module C1	BK	Right Sliding Door	47, 48
Right Sliding Door Control Module C2		Right Sliding Door	47, 48
Right Sliding Door Latch Sensing Switch	BK	Right Sliding Door	47
Right Sliding Door Lock Motor	BK	Right Sliding Door	47
Right Sliding Door Lock Motor/Ajar Switch (Manual Sliding Door)	BK	Right Sliding Door	N/S
Right Sliding Door Motor	BK	At Sliding Door	47
Right Speed Control Switch	WT	At Steering Wheel	N/S
Right Turn Signal Lamp (Export)	OR	At Lamp	N/S
Right Visor/Vanity Lamp	BK	At Lamp	N/S

CONNECTOR NAME/NUMBER	COLOR	LOCATION	FIG.
Satellite Radio Multiplexer	BK	Instrument Panel	N/S
Satellite Radio Receiver	BK	Instrument Panel	N/S
Sentry Key Remote Entry Module (SKREEM)	BK	At Steering Column	20, 21, 22, 23, 31
Siren (United Kingdom)	BK	Left Front Body	N/S
Speed Control Servo (Gas)	BK	Near Controller Antilock Brake	11, 17, 18
Sunroof Module (Except Export)	BK	At Sunroof	N/S
Sunroof Switch (Except Export)	NAT	Near Overhead Console	N/S
Thatcham Alarm Module (United Kingdom)	BK	Top Right Side of Instrument Panel Near Speaker	N/S
Throttle Position Sensor (Gas)	GY	On Throttle Body	10, 11, 17
Traction Control Switch	BK	Rear of Switch	21, 22, 31
Trailer Tow Connector (Except Export)		Left Quarter Panel	N/S
Transmission Range Sensor	DKGY	Top of Transmission	14, 19
Transmission Solenoid/Pressure Switch Assembly	BK	Side of Transmission	14, 19
Vehicle Speed Sensor (MTX)	BK	Rear of Transmission	16
Washer Fluid Level Switch	BK	Bottom of Reservoir	3
Washer Pump Motor	BK	Right Fender Well	3
Water in Fuel Sensor (Diesel)	BK	Left Rear Engine Compartment	N/S
Wiper Module	DKGY	Left Side Cowl	6

GROUNDS

GROUND NUMBER	LOCATION	FIG.
G100	Body Ground Near Powertrain Control Module	N/S
G101	Above Starter	13, 15, 18
G102	Left Headlamp Area	1
G103	Above Starter	15
G200	Left Side of Instrument Panel	20, 21 24, 29
G201	Right Side of Instrument Panel	20, 24, 29
G202	Near Radio	N/S
G203	At Steering Column	N/S
G300	Left B Pillar	32
G301	Right B Pillar	35, 41
G302	Left Rear Quarter	49
G303	Liftgate Ground	51

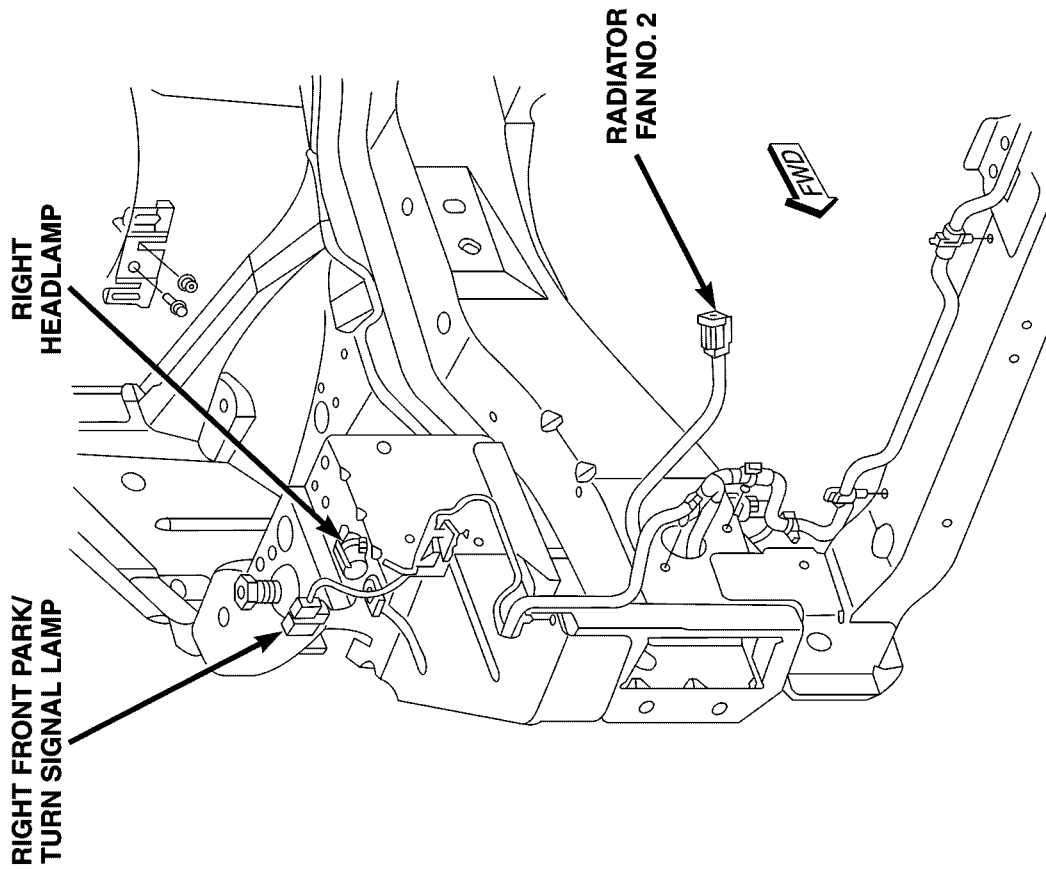
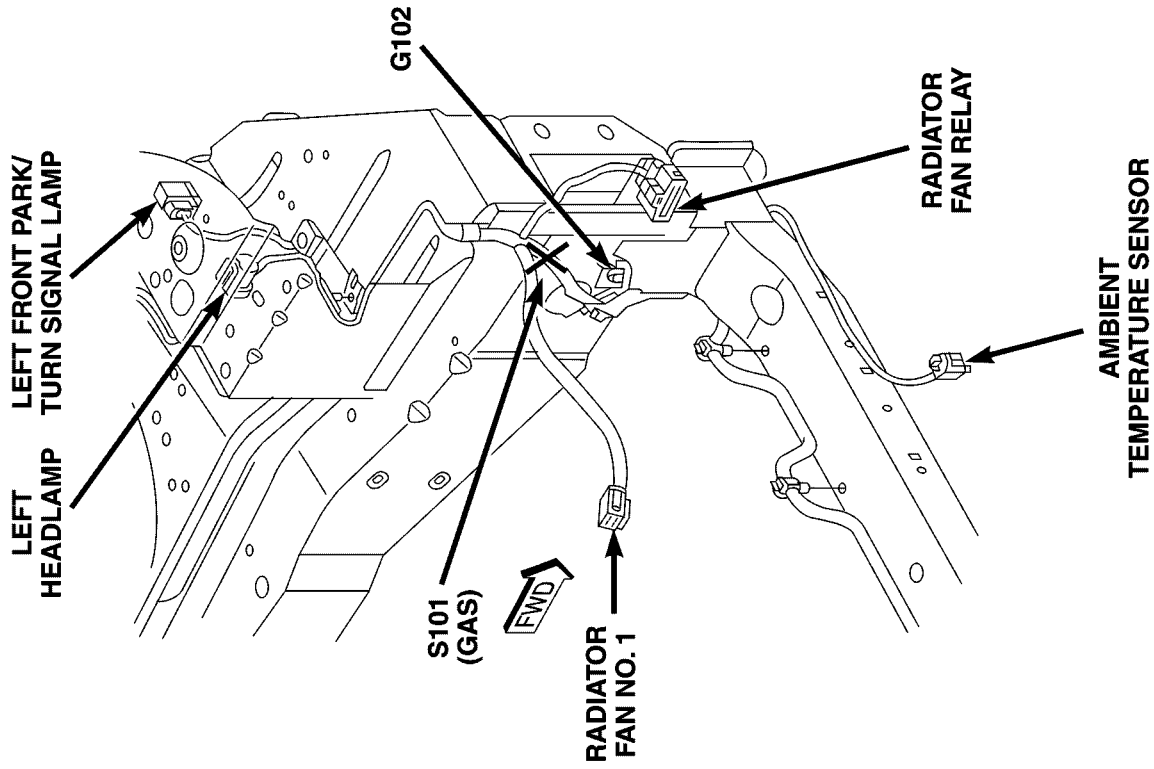
SPLICES

SPLICE NUMBER	LOCATION	FIG.
S101 (Gas)	Near T/O for Radiator Fan No.1	1
S103 (Diesel)	Between T/O for Battery Temperature Sensor and T/O for C102	15
S106 (2.5L)	Near T/O for Battery Temperature Sensor	15
S106 (3.3L/3.8L)	Near T/O for G103	18
S107 (Gas)	Near T/O for Integrated Power Module C3	11
S107 (Diesel)	In T/O for Integrated Power Module C3	7
S111 (2.4L)	Near T/O for C101	11
S111 (Diesel)	In T/O for Battery (-)	N/S
S111 (3.3L/3.8L)	Near T/O for Battery Temperature Sensor	N/S
S112 (Gas)	Near T/O for Integrated Power Module - C3	19, 5, 11
S113 (2.4L)	Near T/O for Park/Neutral Position Switch	11
S114 (2.4L)	Near T/O for Powertrain Control Module C4	11
S114 (3.3L/3.8L)	In T/O to Transmission Control Module	N/S
S115 (2.4L)	Near T/O for Powertrain Control Module C4	11
S115 (3.3L/3.8L)	In T/O to Transmission Control Module	N/S
S116 (2.4L)	180mm from T/O for Torque Converter Clutch Solenoid	11, 13
S116 (Diesel)	Near T/O for Mass Air Flow Sensor	N/S
S116 (3.3L/3.8L)	Near T/O for G103	18
S118 (2.4L)	Near T/O for Knock Sensor	11, 13
S119 (Diesel)	Near T/O for Engine Starter Motor	15
S121 (3.3L/3.8L)	Near T/O for Output Speed Sensor	18
S122 (2.4L)	In T/O to Engine Starter Motor	13
S122 (3.3L/3.8L)	In T/O to Engine Starter Motor	18
S124 (2.4L)	Near T/O for Fuel Injector No.2	N/S
S124 (3.3L/3.8L)	Near T/O for Fuel Injector No.5 and No.6	N/S
S125 (2.4L)	In T/O for Manifold Absolute Pressure Sensor	N/S
S126	In Right Headlamp Leveling Assembly	N/S
S127 (Diesel)	In T/O for Engine Starter Motor	N/S
S128 (Diesel)	Near T/O for Engine Starter Motor	N/S
S129 (Diesel)	Near T/O for Battery (+)	N/S
S130 (Diesel)	Near T/O for Battery (+)	N/S
S131 (2.4L)	Near T/O for Transmission Control Module	11
S131 (3.3L/3.8L)	Near T/O for C110	N/S
S132 (Diesel)	Near T/O for Battery (+)	N/S
S134 (Diesel)	IN T/O for Engine Control Module	N/S
S135 (Diesel)	Near T/O for Glow Plug No.2	N/S
S136 (Diesel)	In T/O for Radiator Fan Relays	2
S137 (Diesel)	Above Starter	15
S138 (Diesel)	Between T/O for Radiator Fan No.2 and T/O for G102	N/S

SPLICE NUMBER	LOCATION	FIG.
S139 (Diesel)	Between T/O for Engine Starter Motor and T/O for Engine Control Module C1	15, 16
S141 (2.4L)	Near T/O for Controller Anti-Lock Brake	11
S141 (3.3L/3.8L ABS Except Export)	Near T/O for G100	N/S
S141 (Diesel)	Near T/O for G100	N/S
S141 (3.3L/3.8L)	Near T/O for Powertrain Control Module	N/S
S142 (3.3L/3.8L)	Near T/O for A/C Compressor Clutch	18
S144 (Diesel)	Between T/O for Battery Temperature Sensor and T/O for C103	N/S
S148 (Diesel)	Near T/O for Engine Starter Motor	5
S150 (Diesel)	Near T/O for Controller Anti-Lock Brake	N/S
S151 (Diesel)	Near T/O for Radiator Fan Relays	2
S152 (Diesel)	Near T/O for Radiator Fan No.1	N/S
S157 (Diesel)	Near T/O for Glow Plug No.4	15
S177	In Right Headlamp Wiring Assembly	N/S
S179	In Left Headlamp Wiring Assembly	N/S
S187 (Diesel)	In T/O for Engine Control Module C1	15
S188 (Diesel)	Near T/O for Radiator Fan Relays	2
S189 (Diesel EATX)	Near T/O for Battery (+)	N/S
S190 (Diesel EATX)	Near T/O for Transmission Control Module	N/S
S191 (Diesel EATX)	Near T/O for Transmission Control Module	N/S
S192 (Diesel EATX)	In T/O for Transmission Control Module	N/S
S193 (Diesel EATX)	In T/O for Transmission Control Module	N/S
S201	In T/O to Instrument Panel Speaker	20, 26
S202	Near T/O for Instrument Panel Switch Bank	20, 26
S203	Near T/O for Instrument Panel Switch Bank	20, 26
S204	Near T/O to Instrument Panel Speaker	20, 26
S205	Near T/O for C201	N/S
S206	Near T/O for Instrument Cluster	20
S207	Near T/O for A/C Heater Control	20, 26
S208 (RHD)	Between T/O for Antenna Connector and T/O for Front Cigar Lighter	26
S209	Near T/O for Evaporator Temperature Sensor	N/S
S210 (RHD)	Near T/O for C203	26
S211	In Steering Column Wiring Assembly	N/S
S212	In Steering Column Wiring Assembly	N/S
S222	Near T/O for C204	N/S
S223	Near T/O for Multi-Function Switch	20
S224	Near T/O for Siren	N/S
S225 (Hands Free)	Near T/O for Rear View Mirror	N/S
S226 (Hands Free)	In T/O for C207	N/S
S302	In Floor Pan Track Wiring	39
S303	In T/O to Data Link Connector	39, 43, 44

SPLICE NUMBER	LOCATION	FIG.
S304 (Export)	In Floor Pan Track Wiring	40
S305	Near T/O for Memory Seat/Mirror Module - C2	N/S
S306	In Floor Pan Track Wiring	40
S307	Near T/O for Memory Power Seat Switch	N/S
S309	In Floor Pan Track Wiring	N/S
S310	Near T/O for C301	37, 38, 39
S311	In Floor Pan Track Wiring	N/S
S312	Near T/O for C320	N/S
S313	Near T/O for Power Liftgate Module	49
S316	In Floor Pan Track Wiring	36
S317	Near T/O for Body Control Module	44
S318	Near T/O for Power Seat Circuit Breaker	N/S
S319 (Export)	In Floor Pan Track Wiring	40
S321	Ner T/O for C301	37, 38, 39
S322	Near T/O for C301	39
S323	In Floor Pan Track Wiring	36
S324	In Floor Pan Track Wiring	36
S325 (Export)	In Floor Pan Track Wiring	36
S326	Near T/O for C101	37, 38
S330	Near T/O for Power Liftgate Module	49
S331	Near T/O for Power Liftgate Motor	49
S332	In Floor Pan Track Wiring	N/S
S333 (3 Zone MTC)	In Floor Pan Track Wiring	39
S334	Near T/O to G301	36
S335	Near T/O for Left Rear Reading Lamp	N/S
S336	Near T/O for Left Rear Reading Lamp	N/S
S337	Near T/O for Right Mid Reading Lamp	N/S
S338	Near T/O for Right Visor/Vanity Lamp	N/S
S339	Near T/O for C312	N/S
S342 (LHD)	Near T/O for Passenger Power Window Motor	46
S343 (LHD)	Near T/O for Driver Power Window Motor	45
S344	In T/O to Right Sliding Door Control Module C2	47, 48
S345	Near T/O for Right Sliding Door Motor	47, 48
S346	Near T/O for Driver Power Window Switch	45
S347	Near T/O for Right Sliding Door Lock Motor	47, 48
S348	Near T/O for Left Sliding Door Lock Motor	48
S349	In T/O to Left Sliding Door Control Module - C2	48
S350	Near T/O for Left Sliding Door Motor	48
S352	Near T/O for Liftgate Cinch/Release Motor	51
S354 (Export)	Near T/O for C301	38, 39
S354 (Except Export)	Near T/O for C101	N/S
S355	In T/O for C307	N/S
S356 (Export)	In Floor Pan Track Wiring	39

SPLICE NUMBER	LOCATION	FIG.
S356 (Except Export)	Near T/O for Passenger Heated Seat Back	N/S
S359	Left Quarter Panel	49
S361	Near T/O for C304	N/S
S362	Near T/O for C304	N/S
S363	Near T/O for C331	N/S
S364 (RHD)	Near T/O for Passenger Power Window Window	46
S365 (LHD)	Near T/O for Driver Power Window Window	N/S
S366	In Passenger Power Heated Seat Wiring Assembly	N/S
S367	Near T/O for C301	39
S368 (Diesel)	Near T/O for C101	N/S
S370 (Except Export)	In T/O for Integrated Power Module C6	7
S371	In T/O to Power Window Switch	N/S
S372	Near T/O for Data Link Connector	43
S373 (Except Export)	In Floor Pan Track Wiring	39
S374	Near T/O for Body Control Module	N/S
S376 (Highline Audio)	In Floor Pan Track Wiring	36
S378	Near T/O for C301	N/S
S380 (Highline Audio)	Right Quarter Panel	50
S381 (Highline Audio)	Right Quarter Panel	50
S382 (Passenger Heated Seat)	Near T/O for Passenger Seat Weight Sensor	N/S
S383 (Parktronics)	Rear Fascia	N/S
S384 (Parktronics)	Rear Fascia	N/S



81033145

Fig. 1 HEADLAMP CONNECTORS

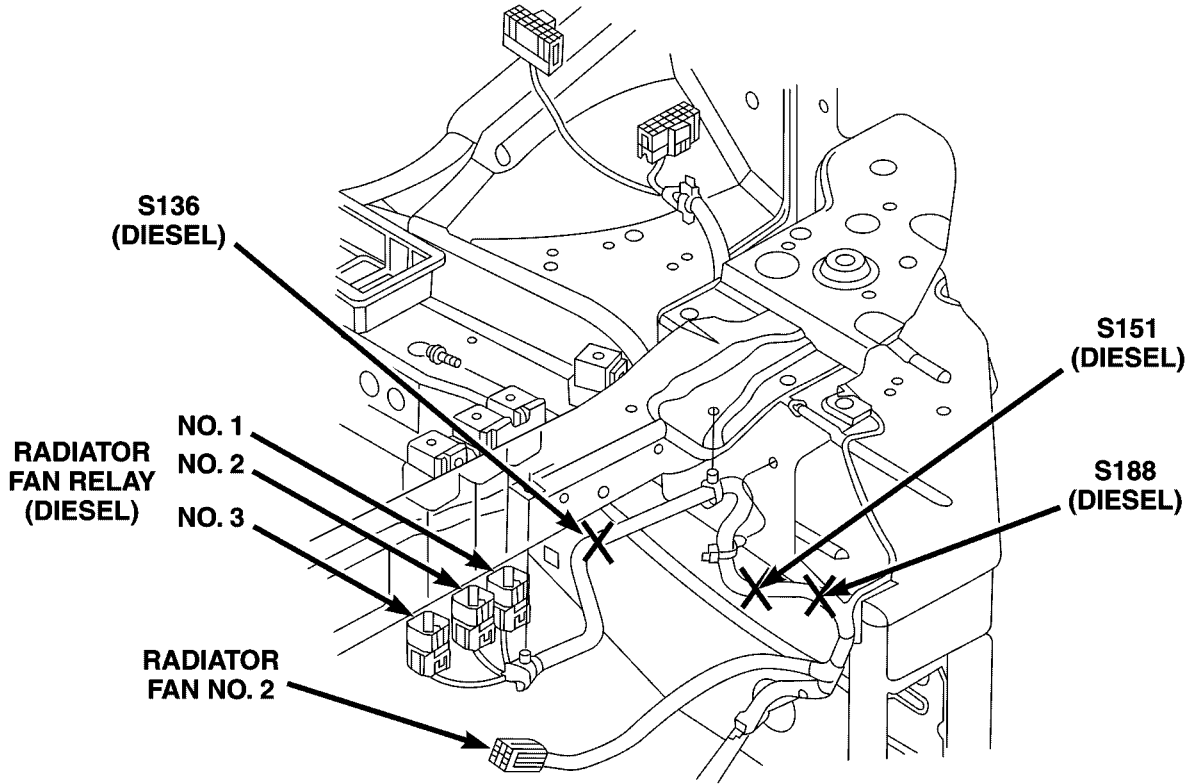


Fig. 2 LEFT FRONT ENGINE COMPARTMENT

81033f5b

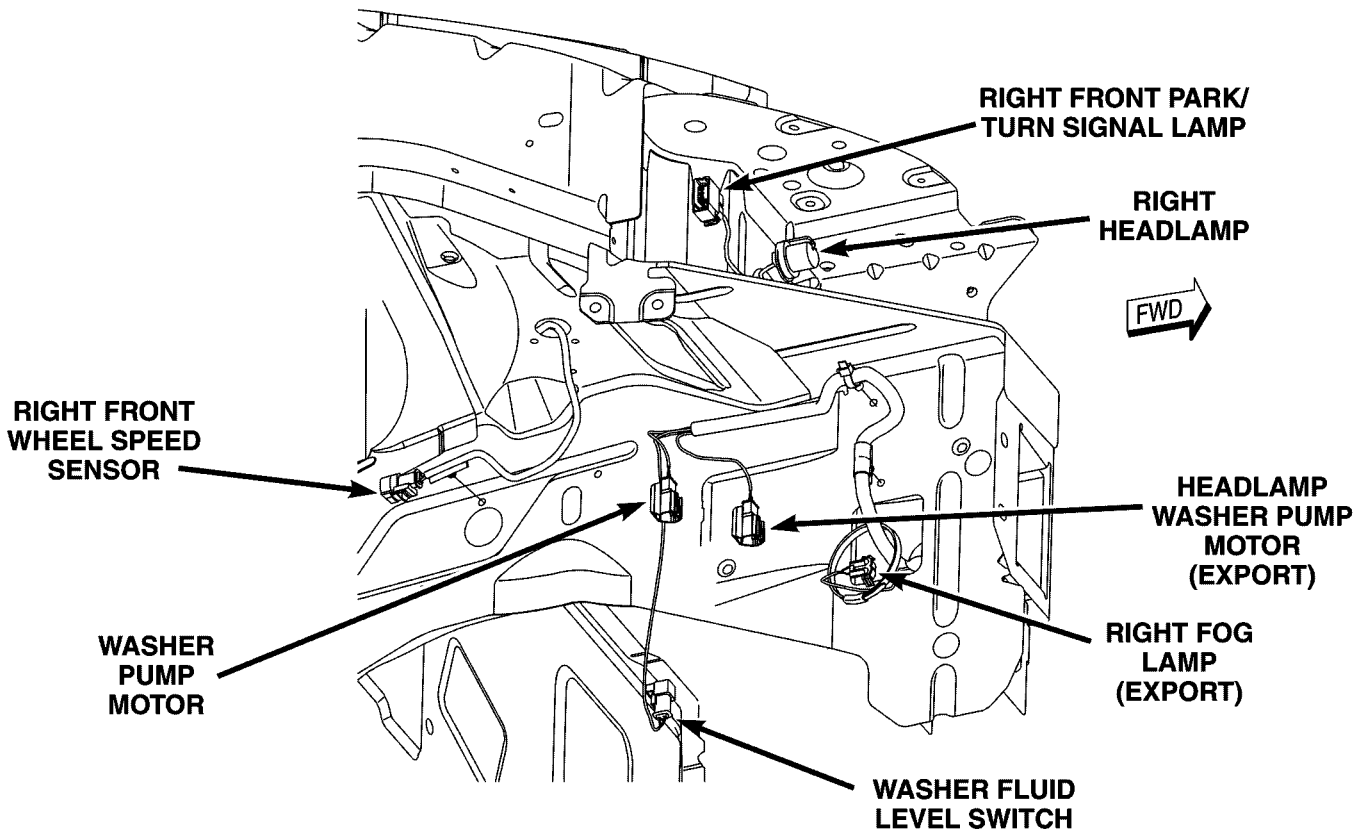
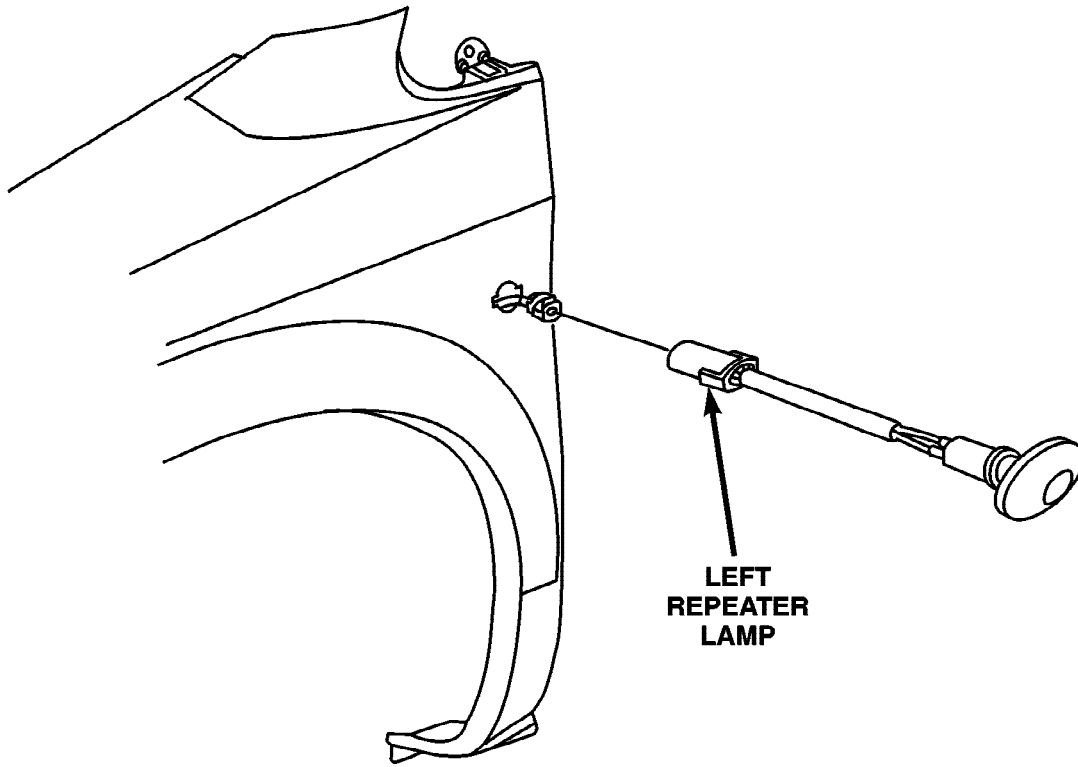


Fig. 3 WASHER PUMP CONNECTORS

81033f73



**LEFT
REPEATER
LAMP**

Fig. 4 LEFT REPEATER LAMP

816eb3f7

8149d198

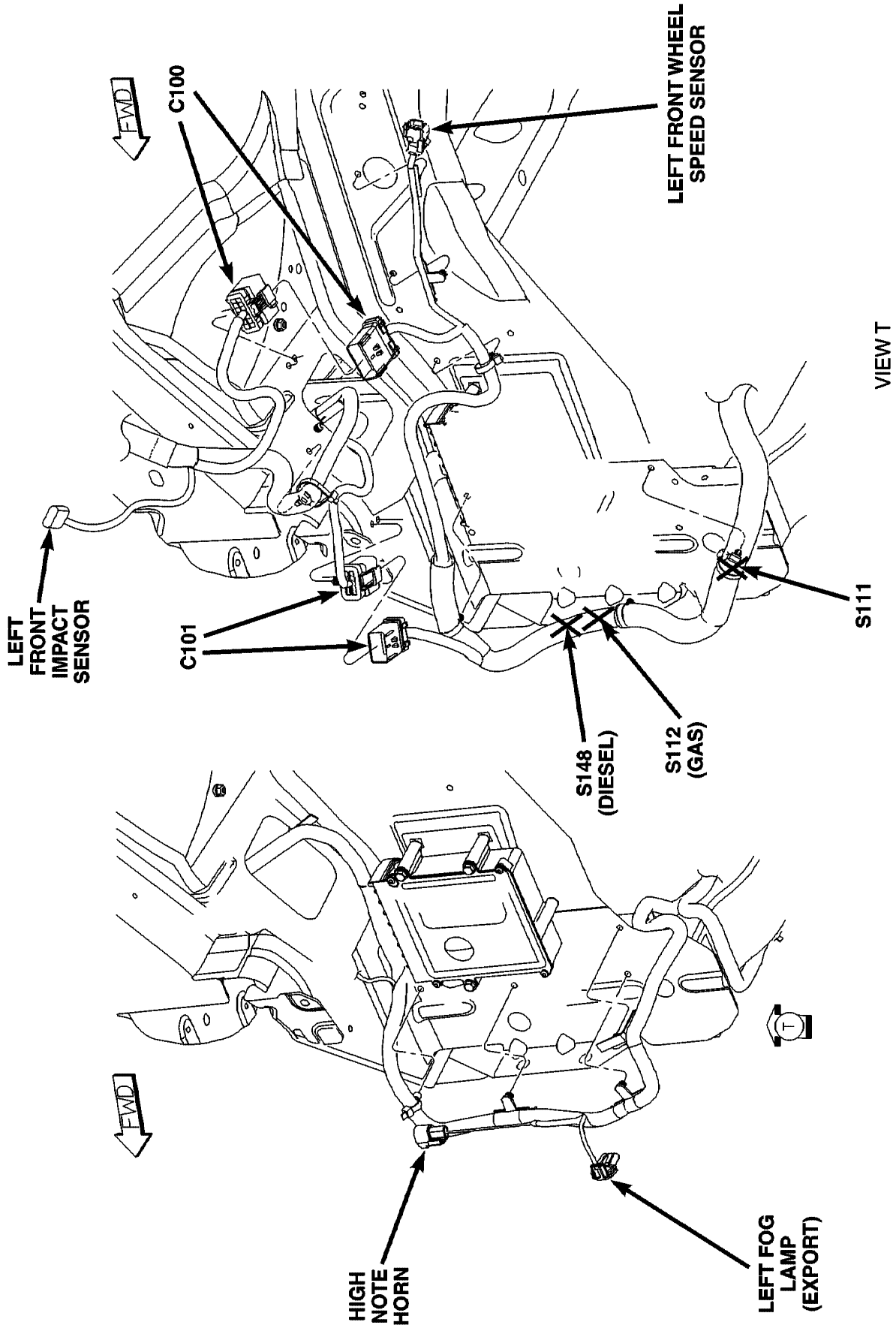


Fig. 5 LEFT FENDER SHIELD

810337e

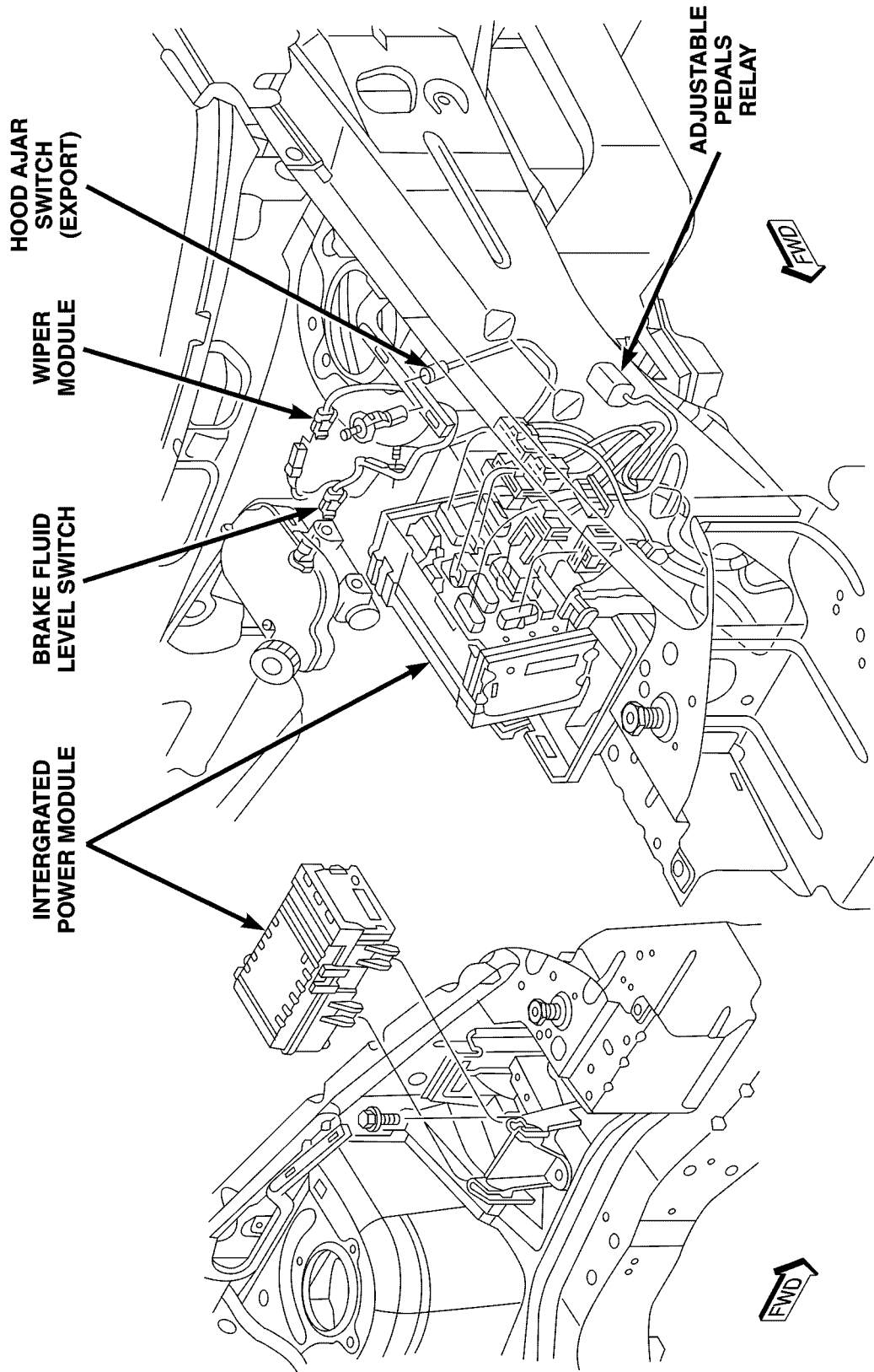
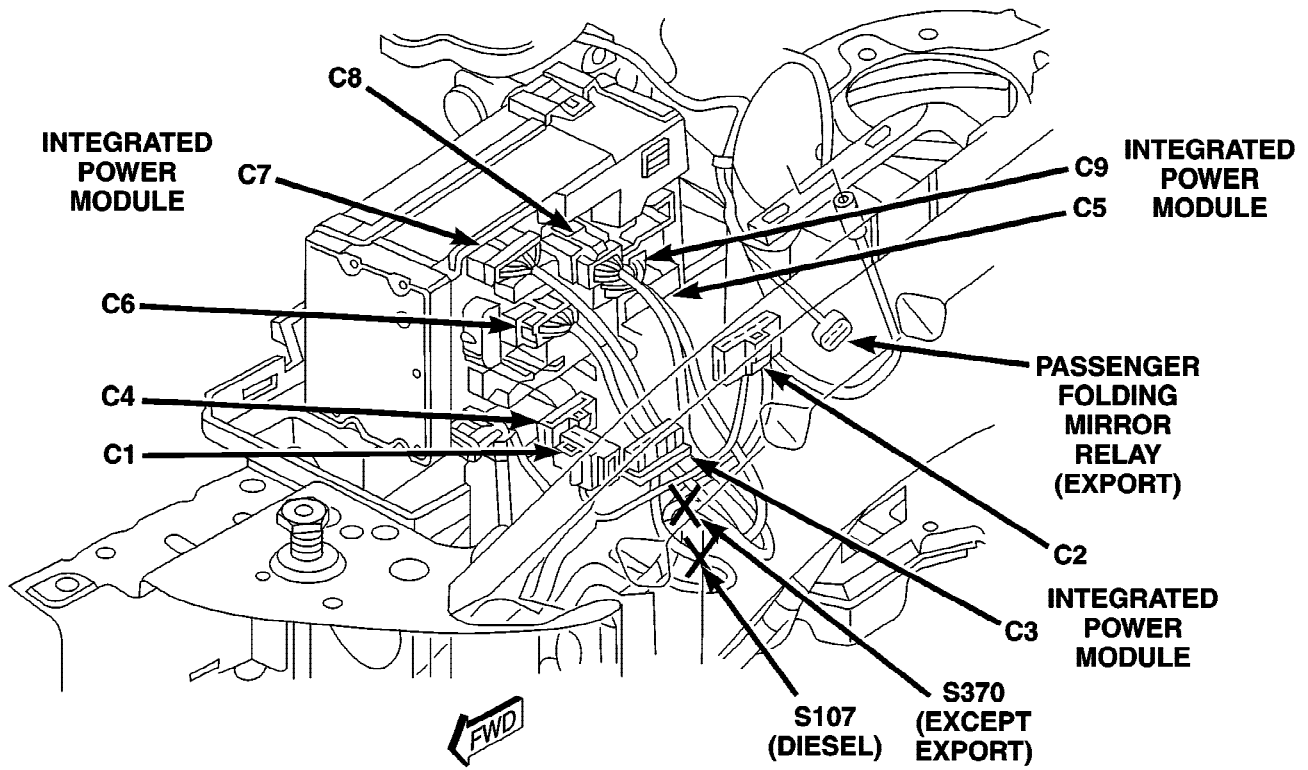


Fig. 6 LEFT SIDE ENGINE COMPARTMENT



8149d1ac

Fig. 7 INTEGRATED POWER MODULE

8149d1b7

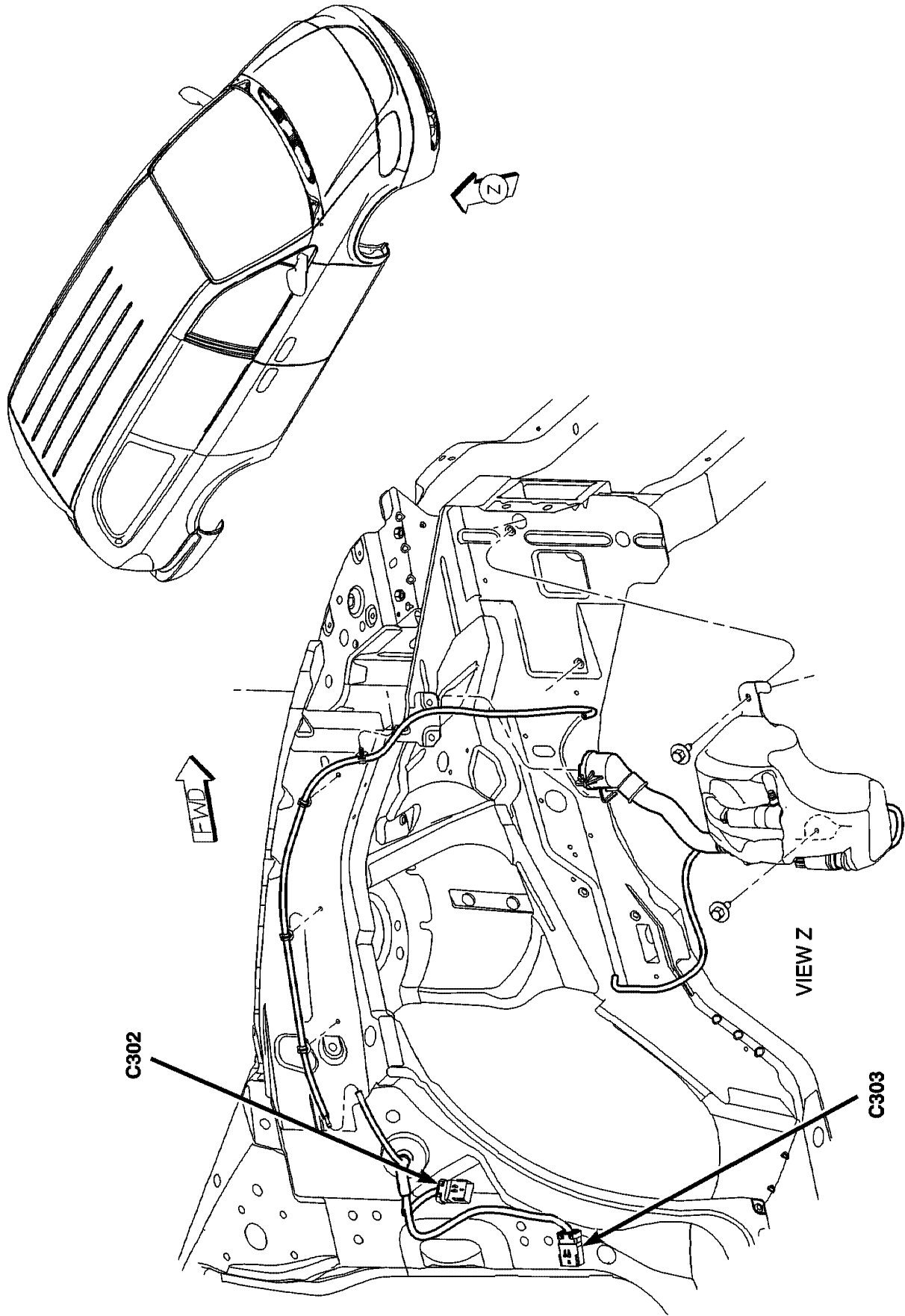
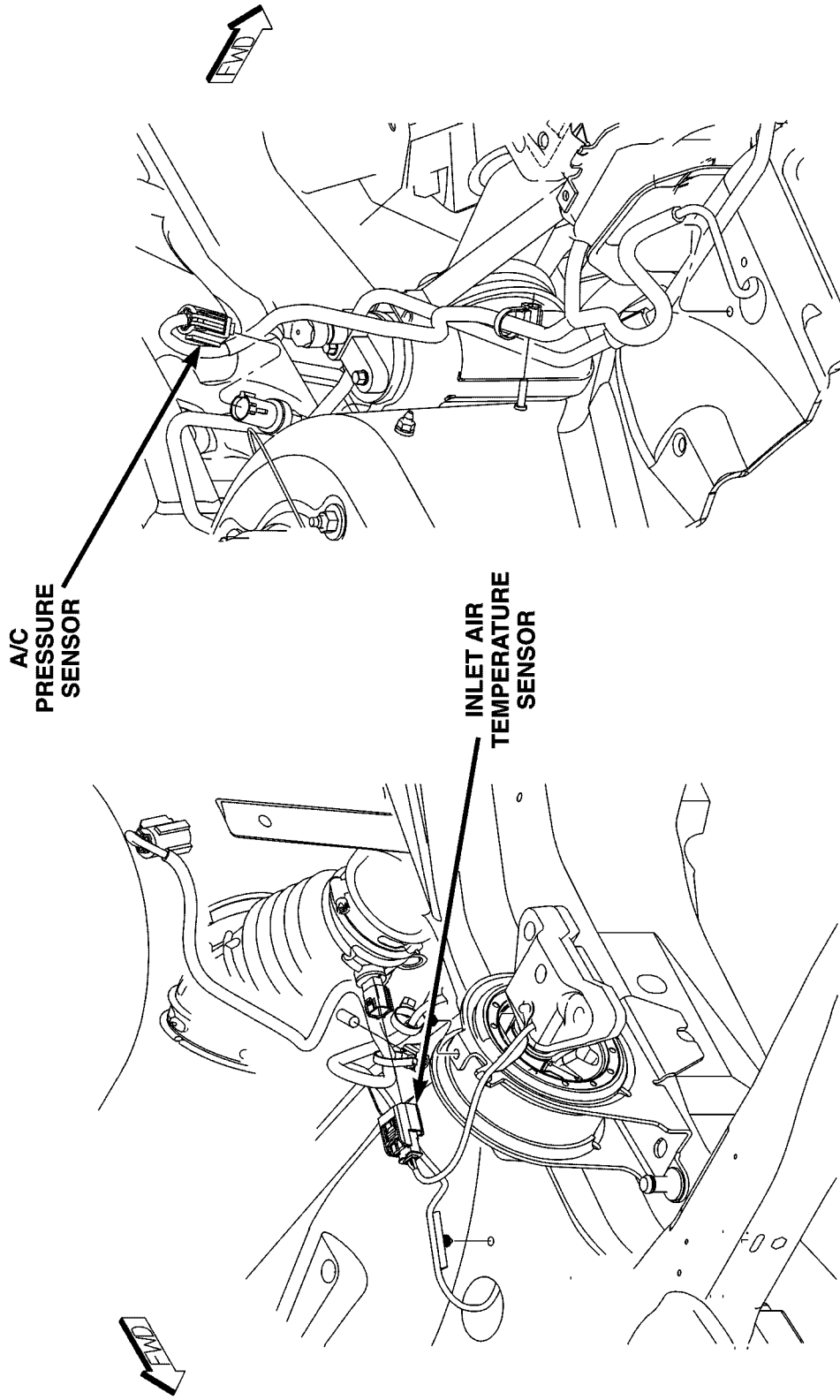


Fig. 8 RIGHT FRONT WHEEL HOUSING

81034228



A/C
PRESSURE
SENSOR

INLET AIR
TEMPERATURE
SENSOR

3.3L/3.8L ENGINE

2.4L ENGINE

Fig. 9 INLET AIR SENSORS

810331c5

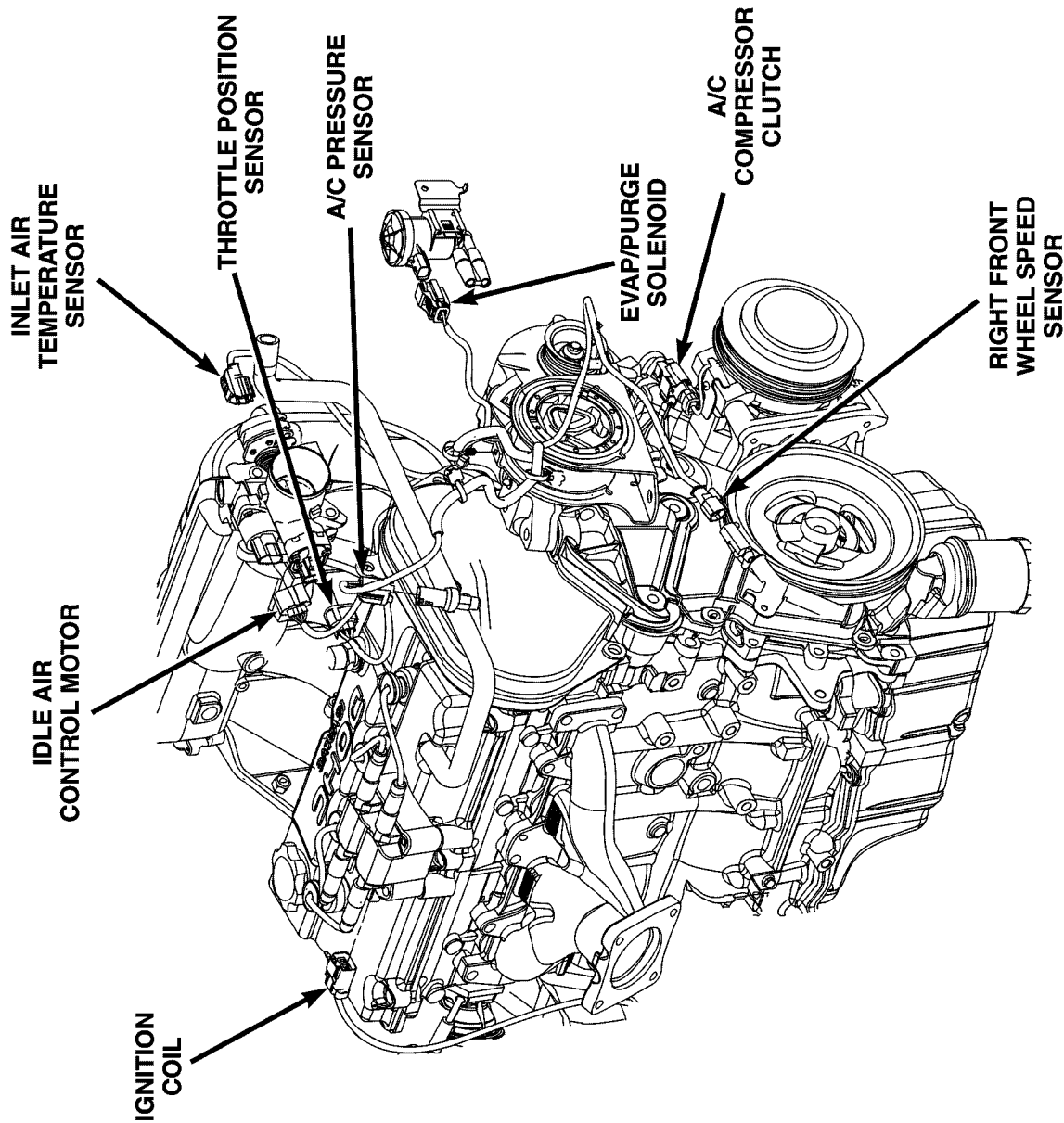


Fig. 10 2.4 LITER ENGINE CONNECTORS REAR

8149d1be

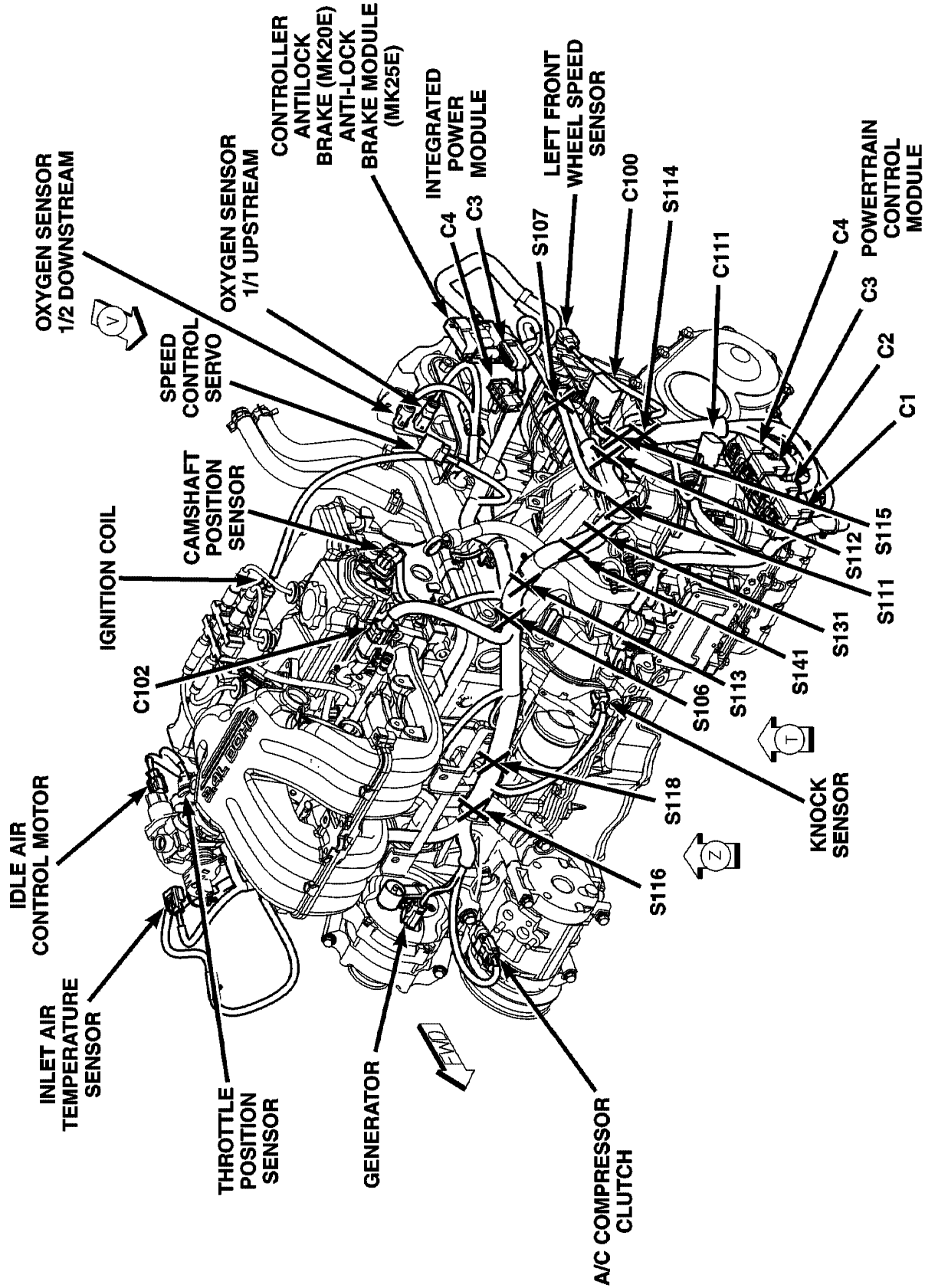


Fig. 11 2.4 LITER ENGINE FRONT

8149d1c6

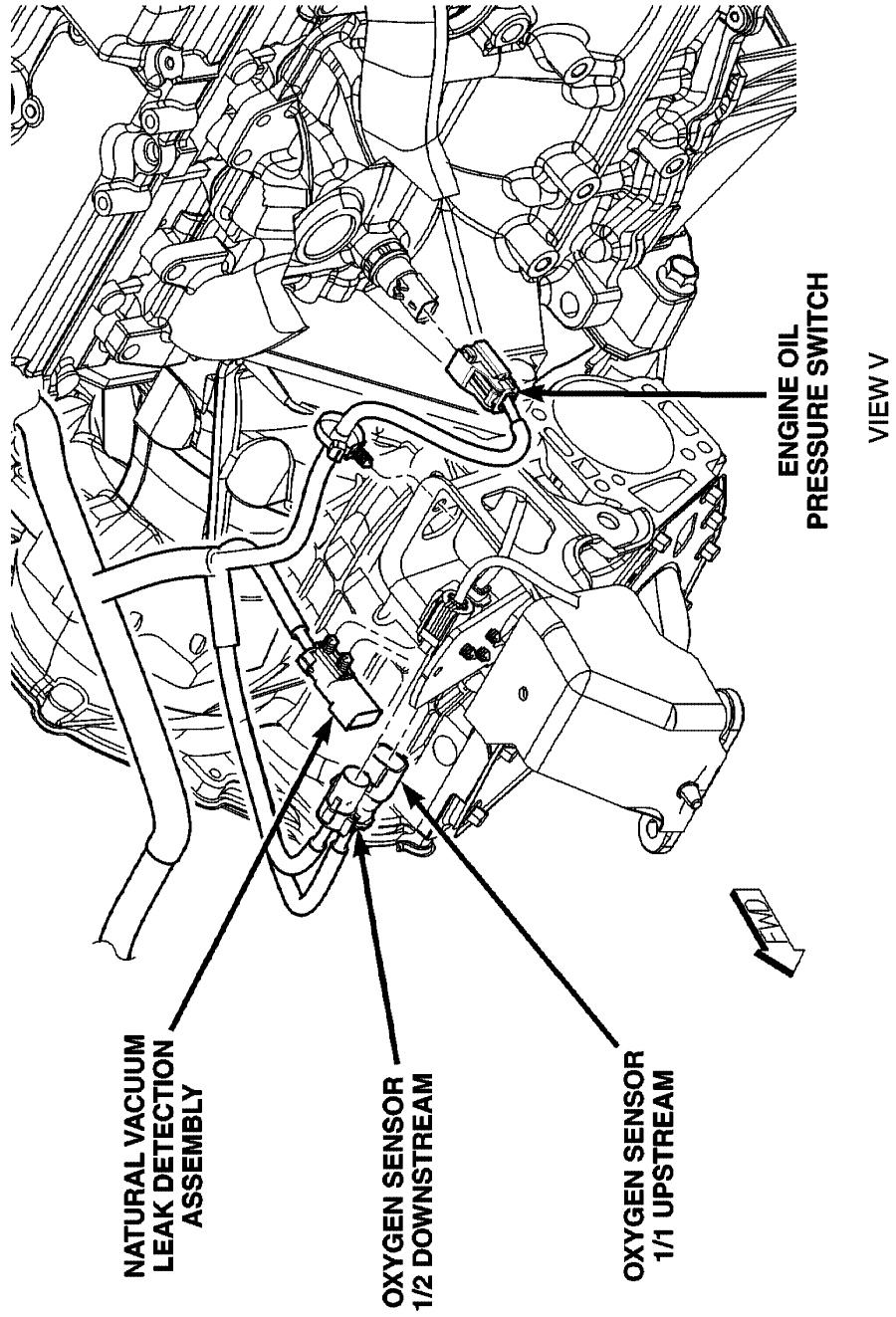


Fig. 12 OXYGEN SENSORS

81034271

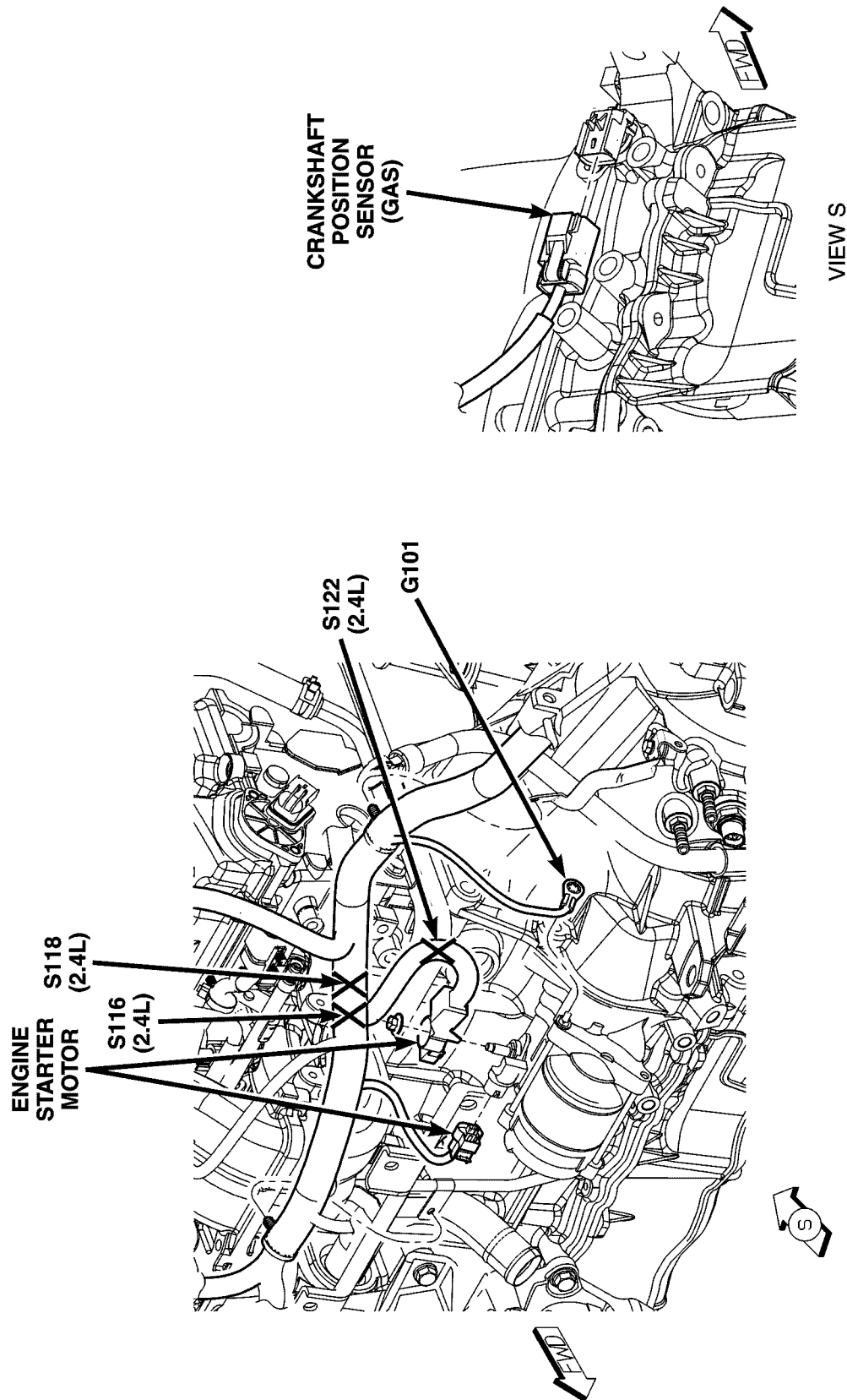


Fig. 13 STARTER CONNECTORS

81034278

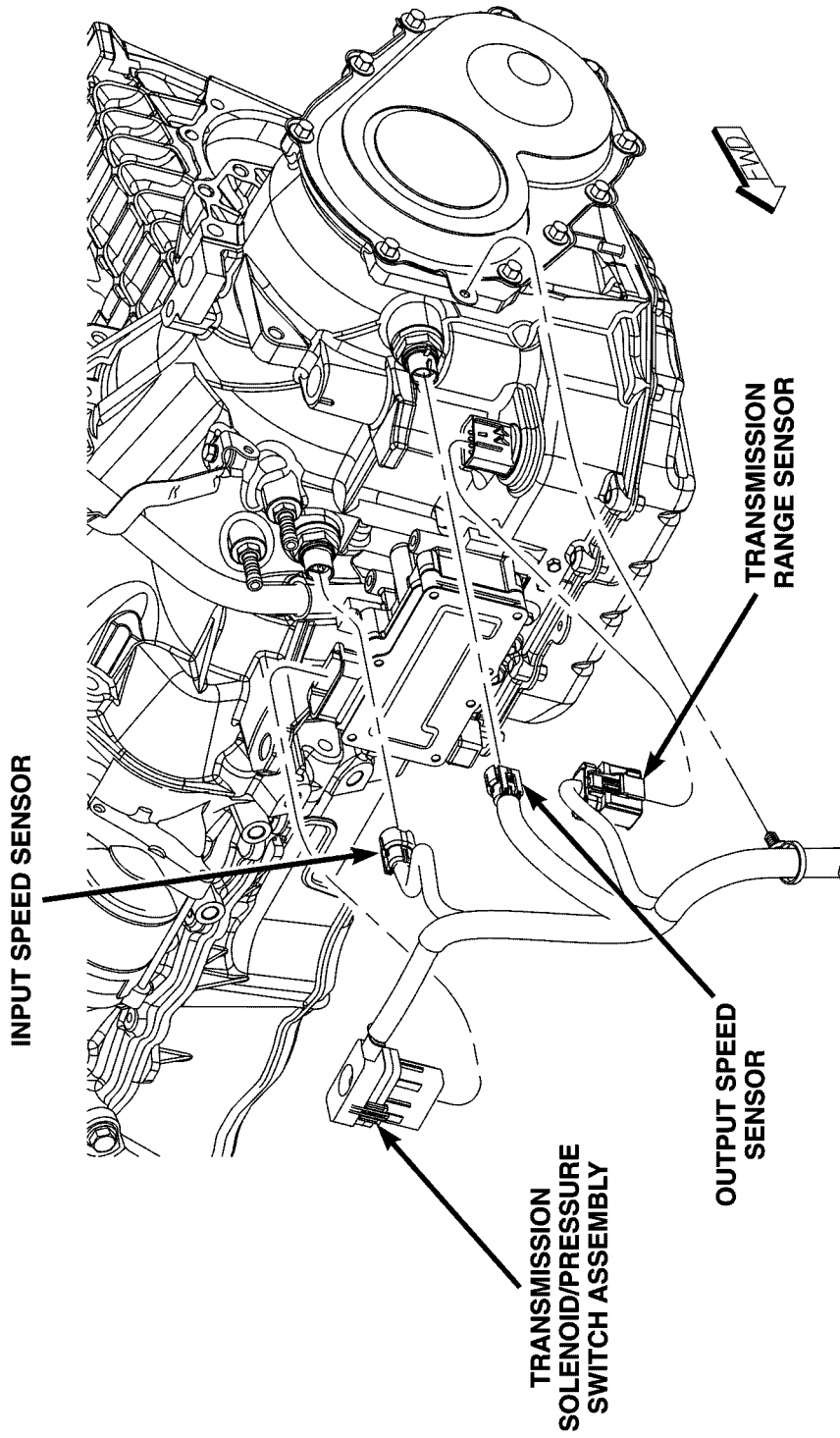


Fig. 14 TRANSMISSION CONNECTORS

816eb400

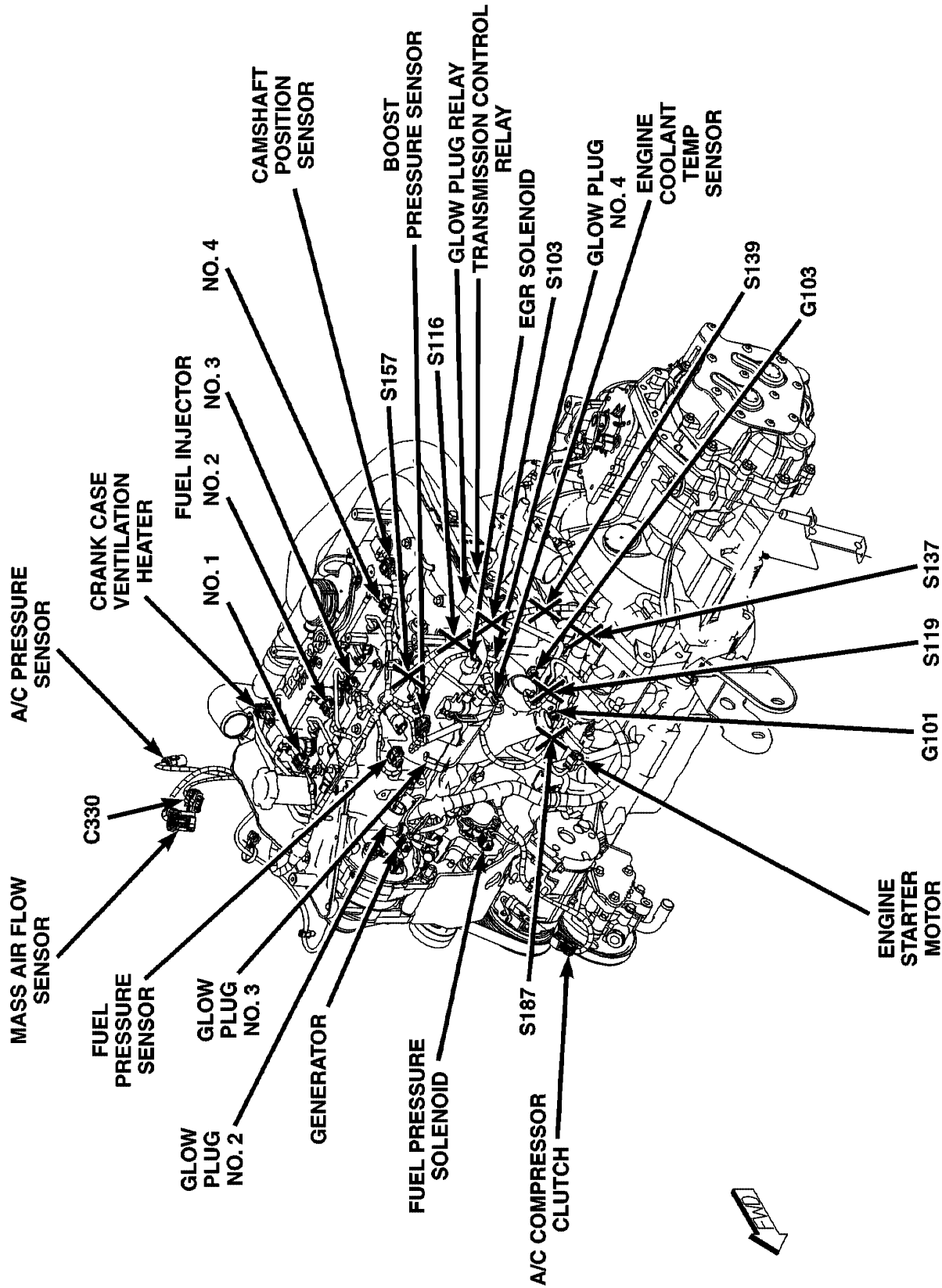


Fig. 15 2.5 LITER DIESEL ENGINE FRONT

816eb40d

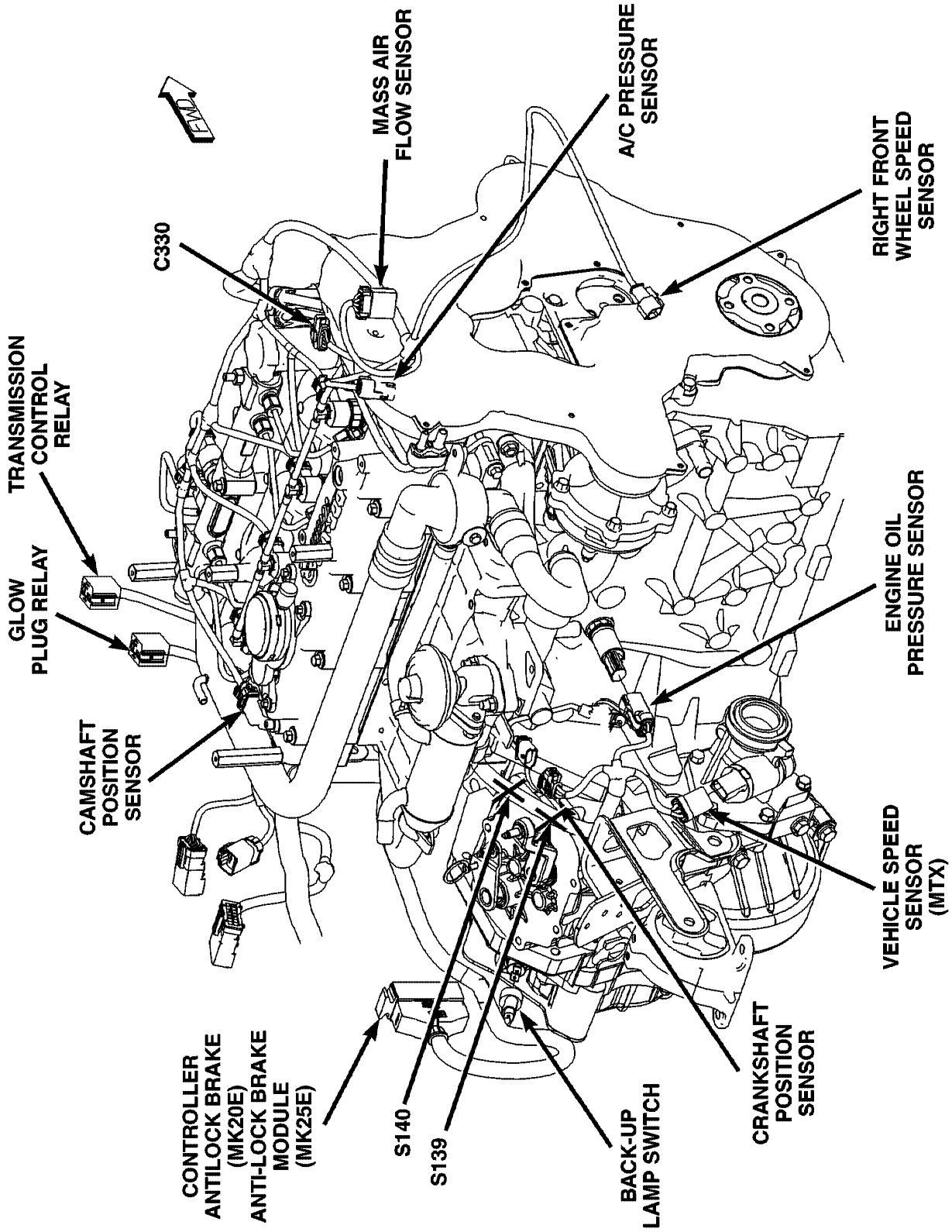


Fig. 16 2.5 LITER DIESEL ENGINE REAR

816eb414

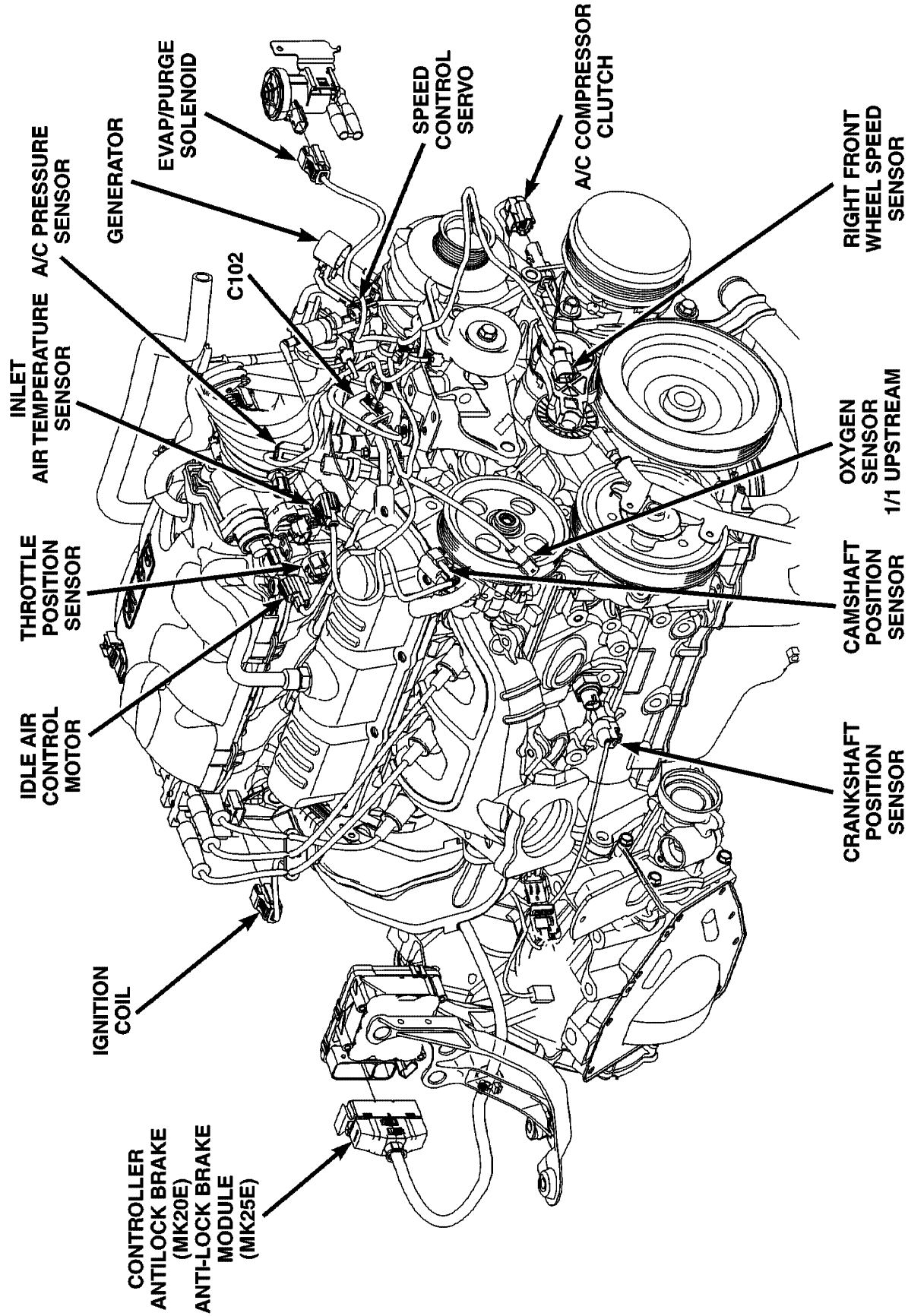
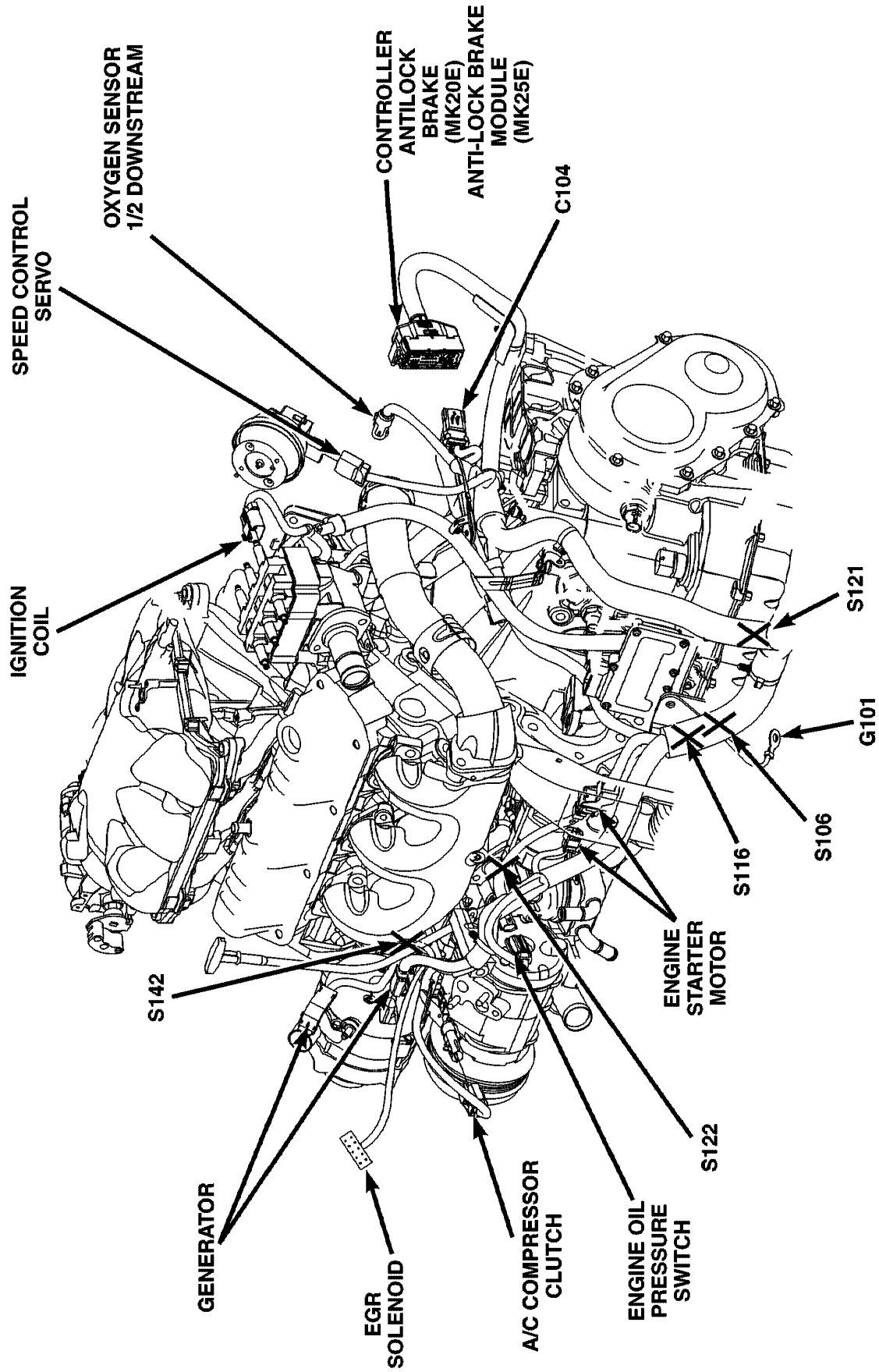


Fig. 17 3.3-3.8 LITER ENGINE REAR



816eb41e

Fig. 18 3.3-3.8 LITER ENGINE FRONT

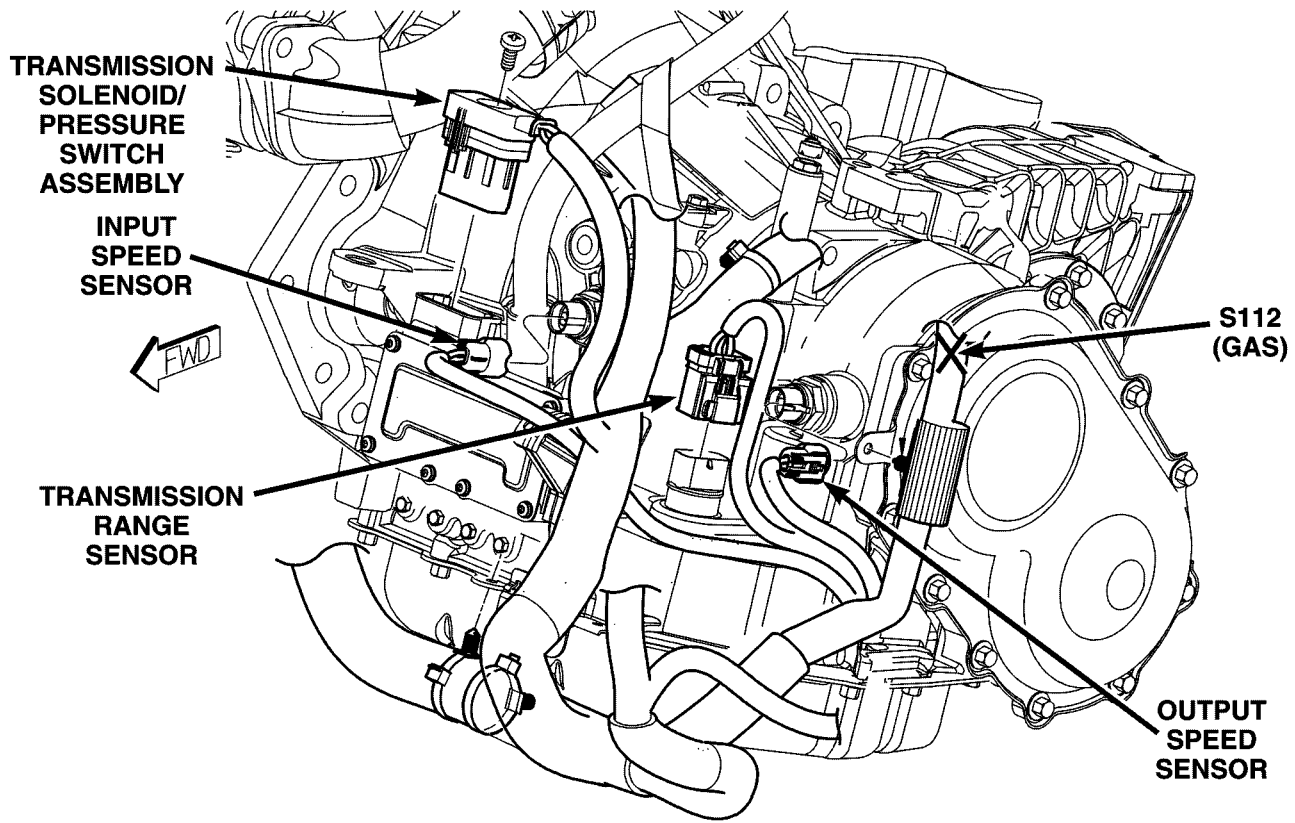


Fig. 19 AUTOMATIC TRANSMISSION

812301fa

816eb423

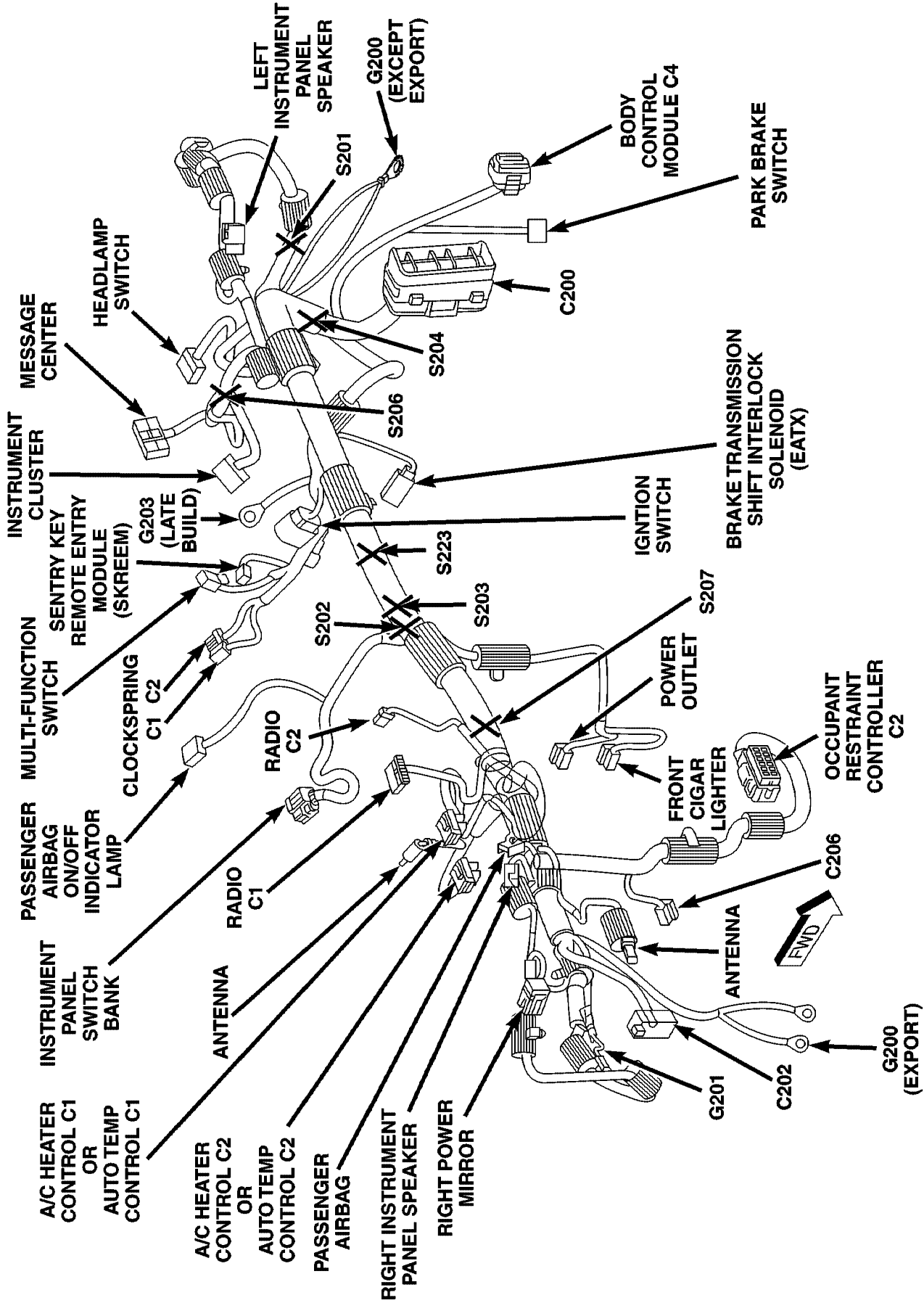


Fig. 20 INSTRUMENT PANEL HARNESS LHD

8166b42a

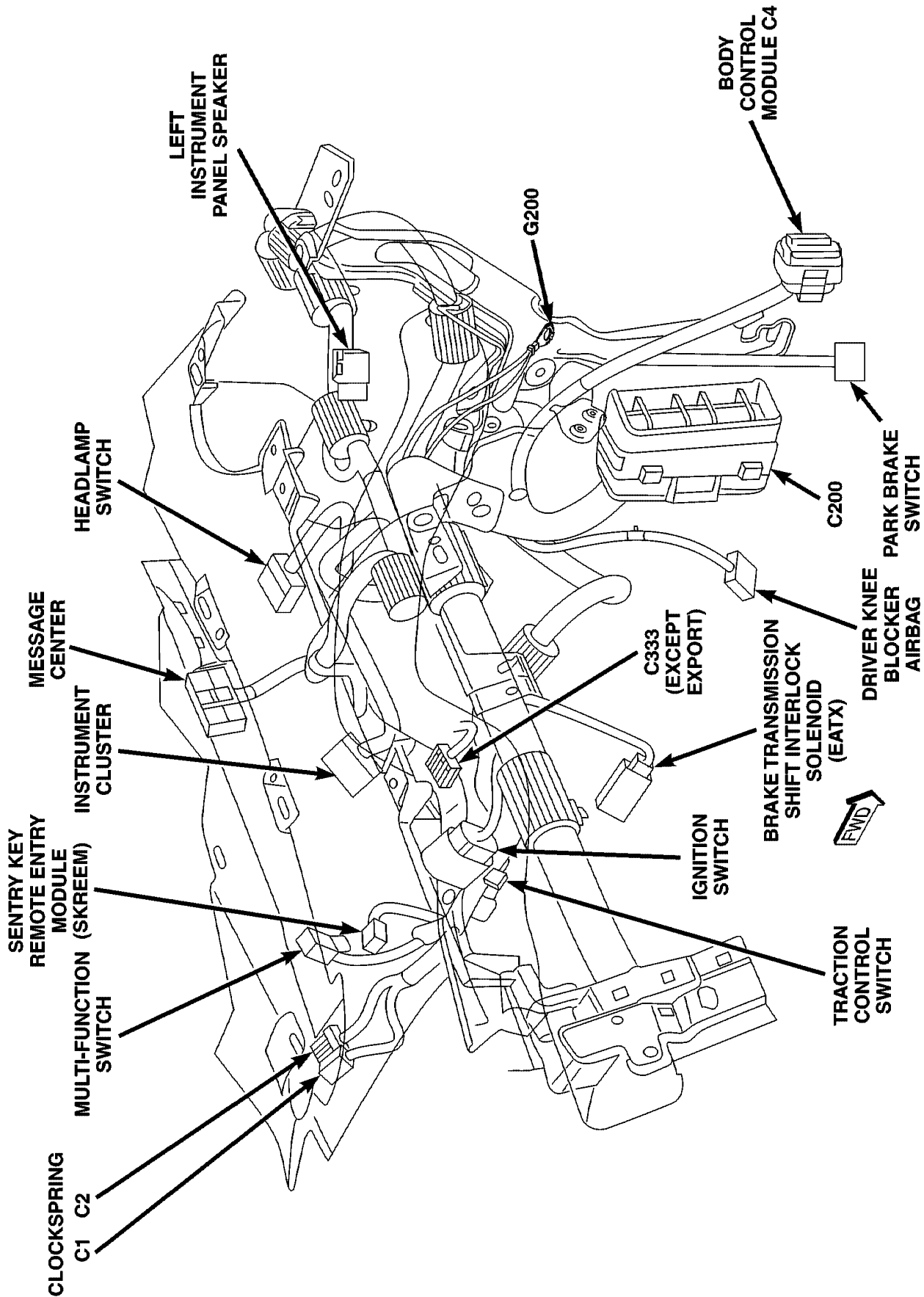


Fig. 21 LEFT SIDE INSTRUMENT PANEL LHD

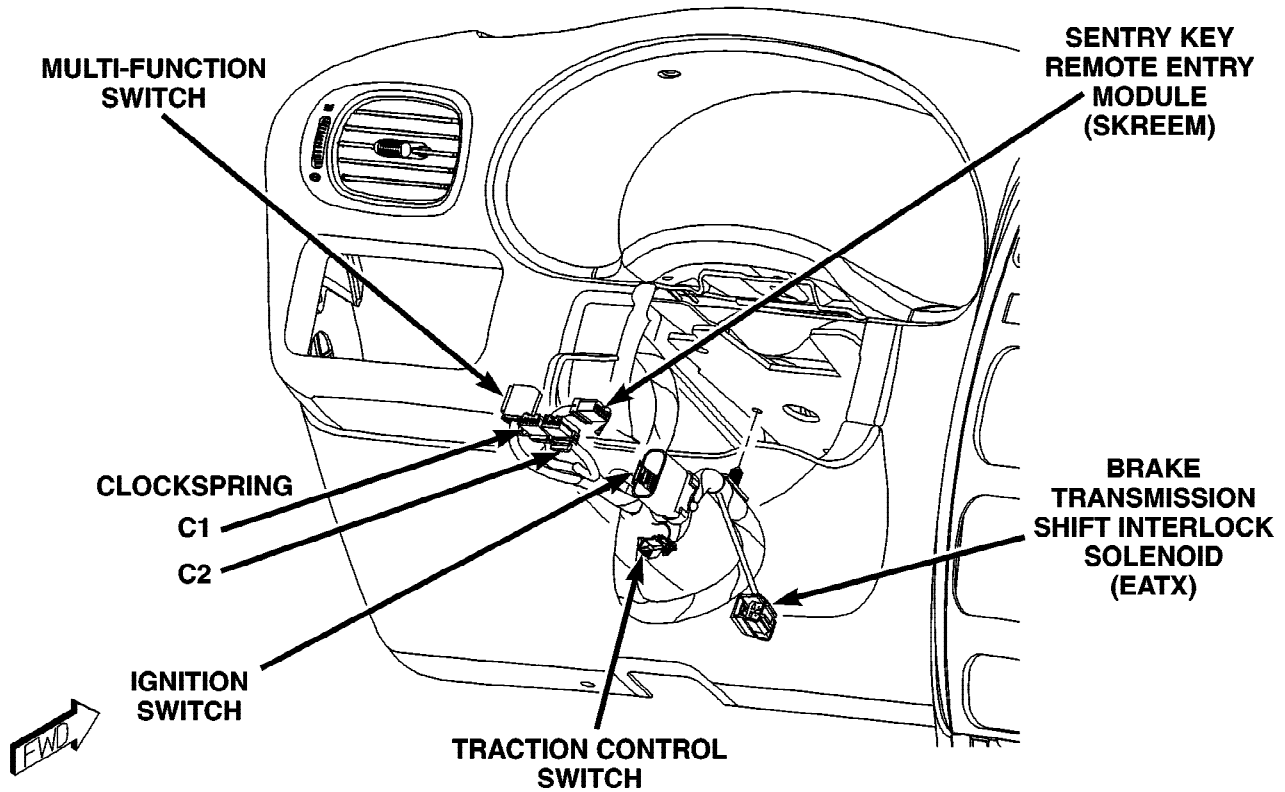


Fig. 22 STEERING COLUMN

816eb42e

810379fa

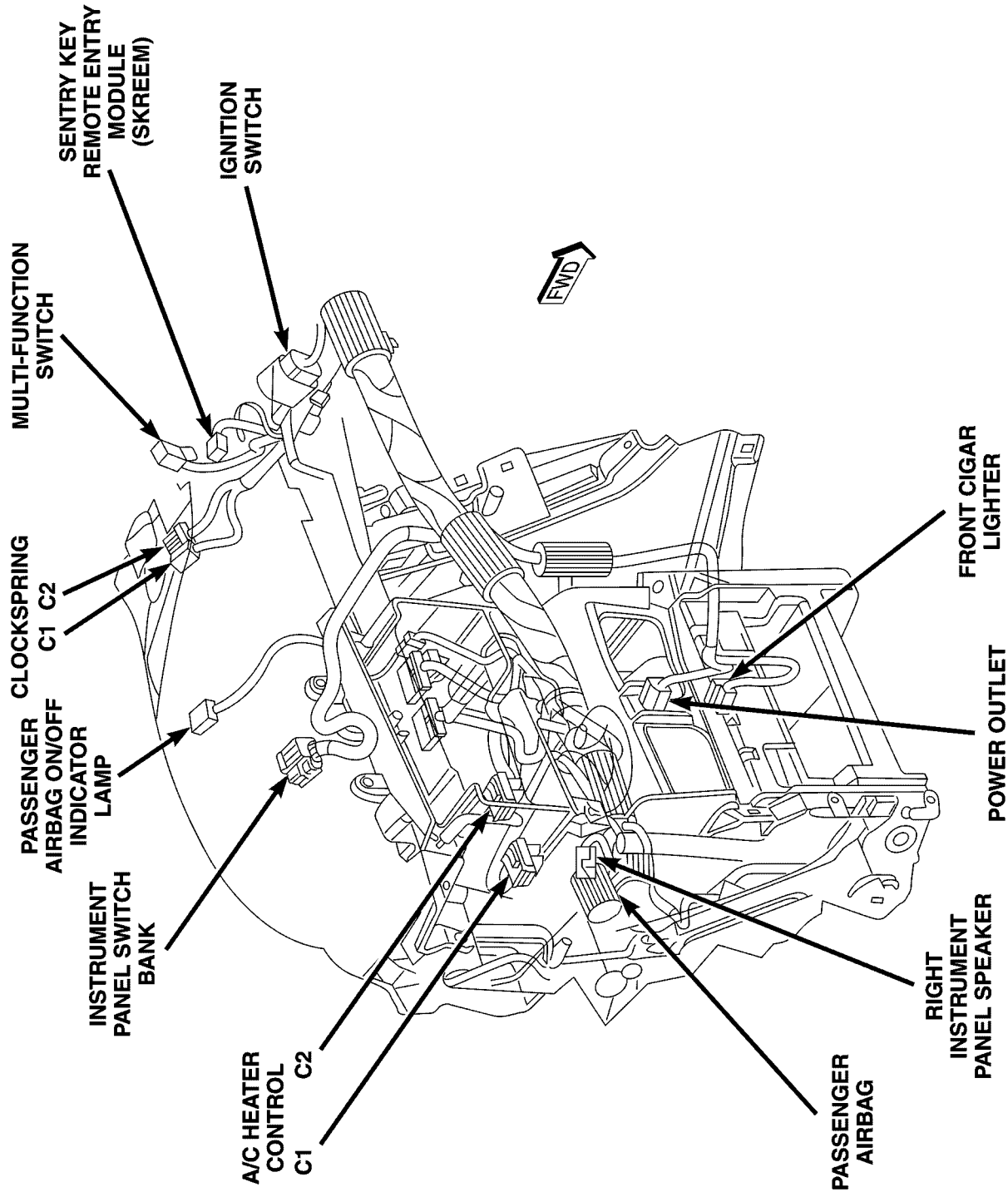


Fig. 23 CENTER INSTRUMENT PANEL

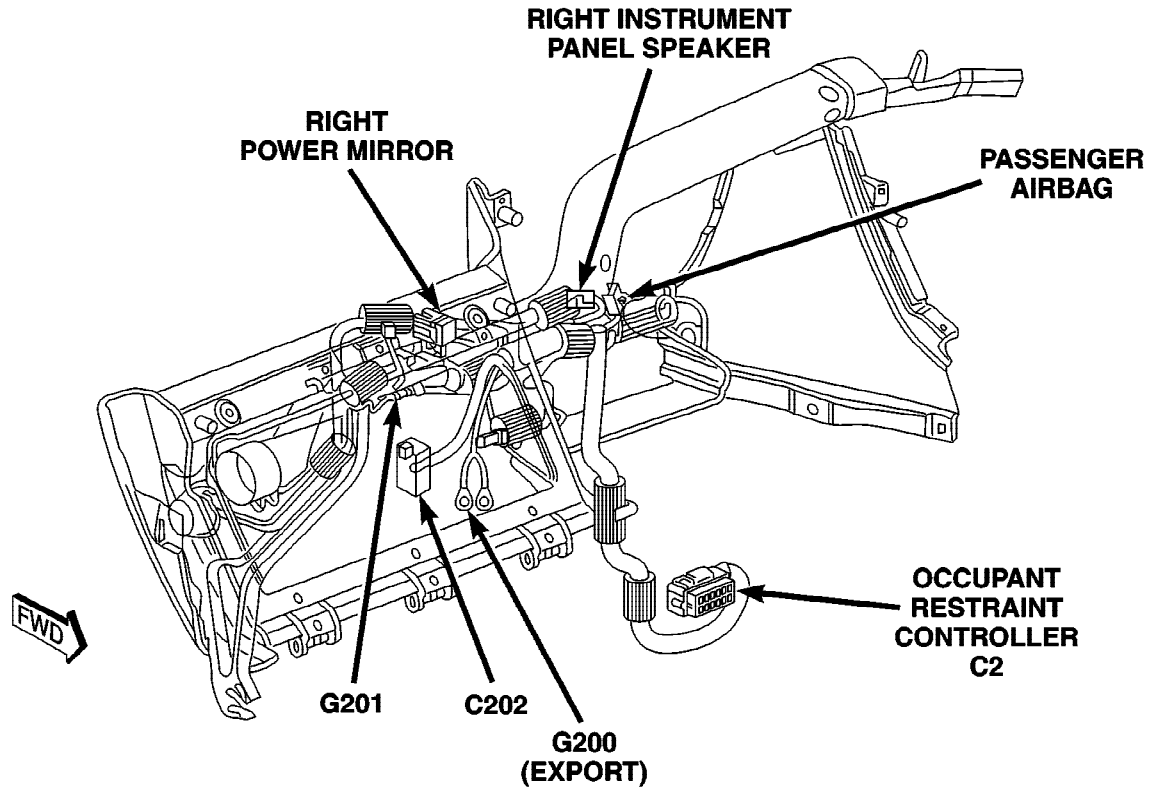


Fig. 24 RIGHT SIDE INSTRUMENT PANEL

8149d31d

816ab480

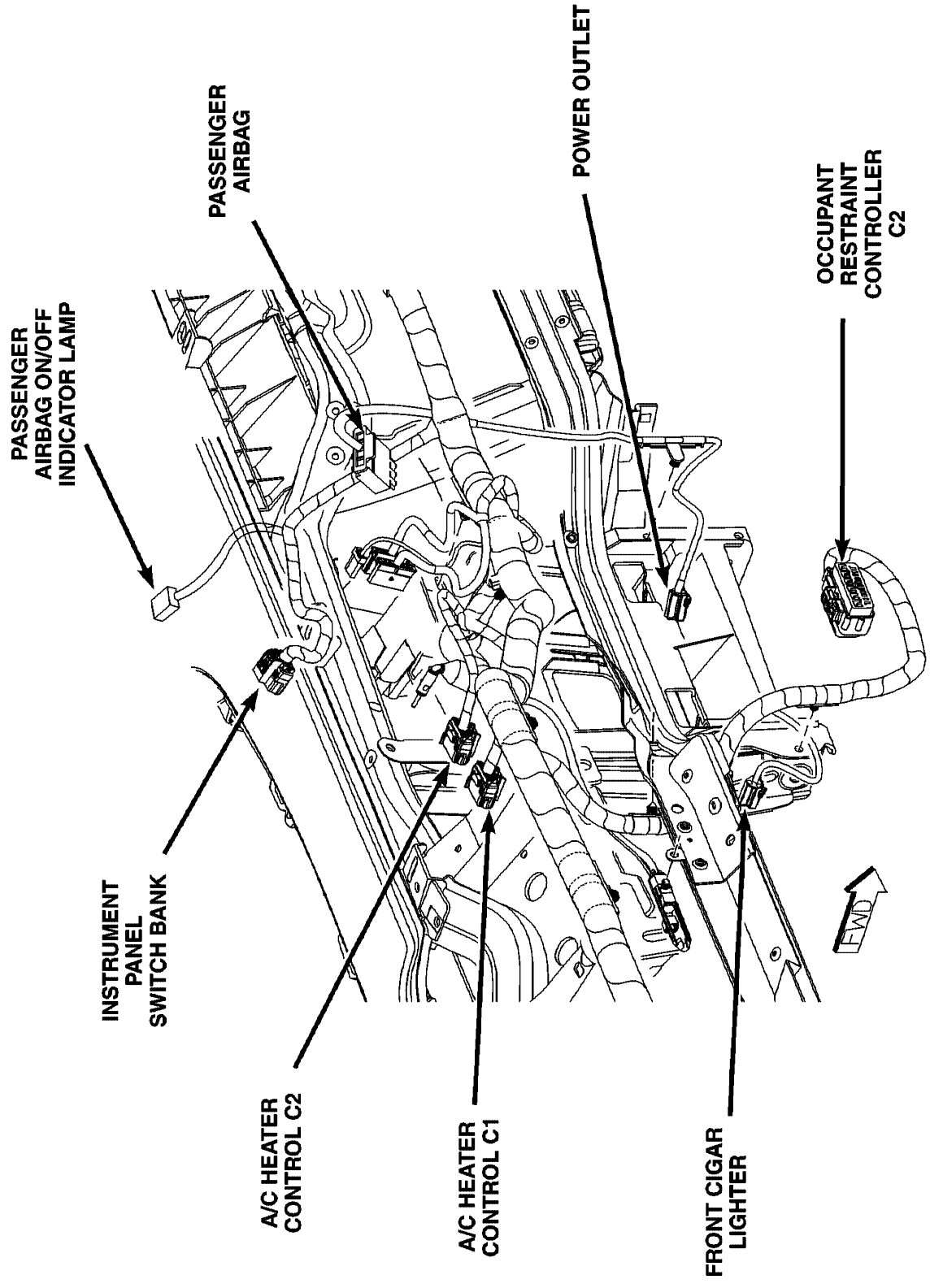
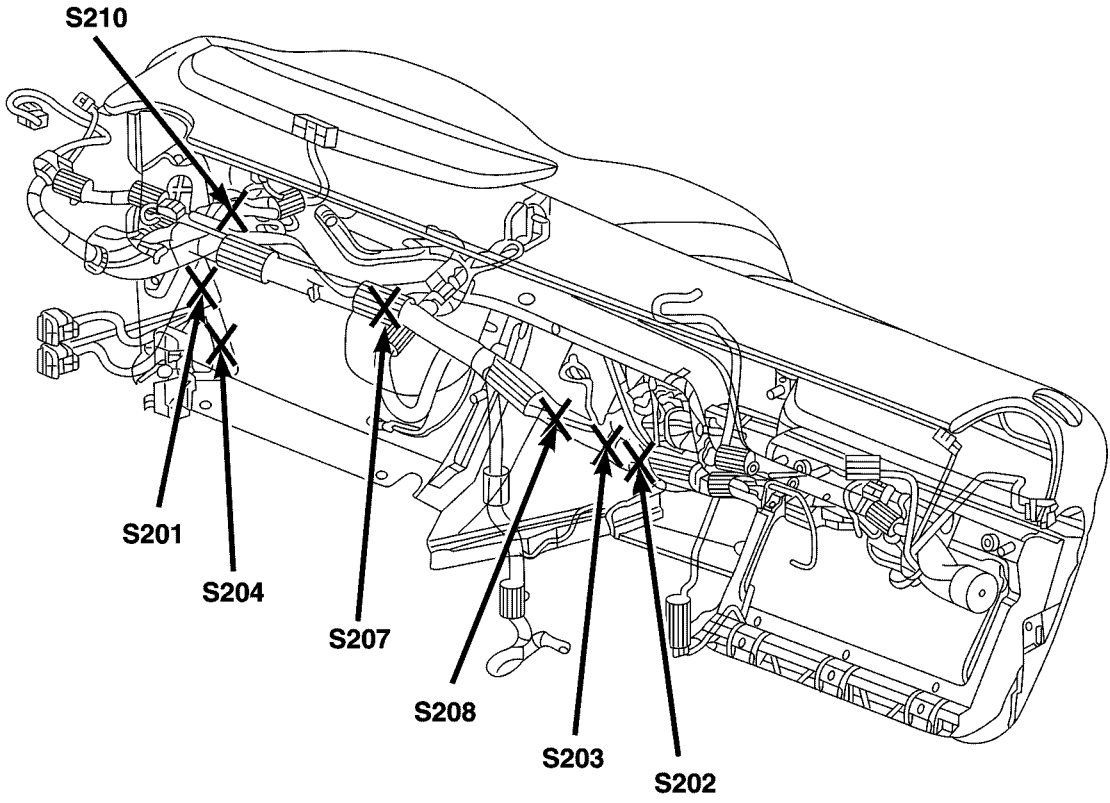
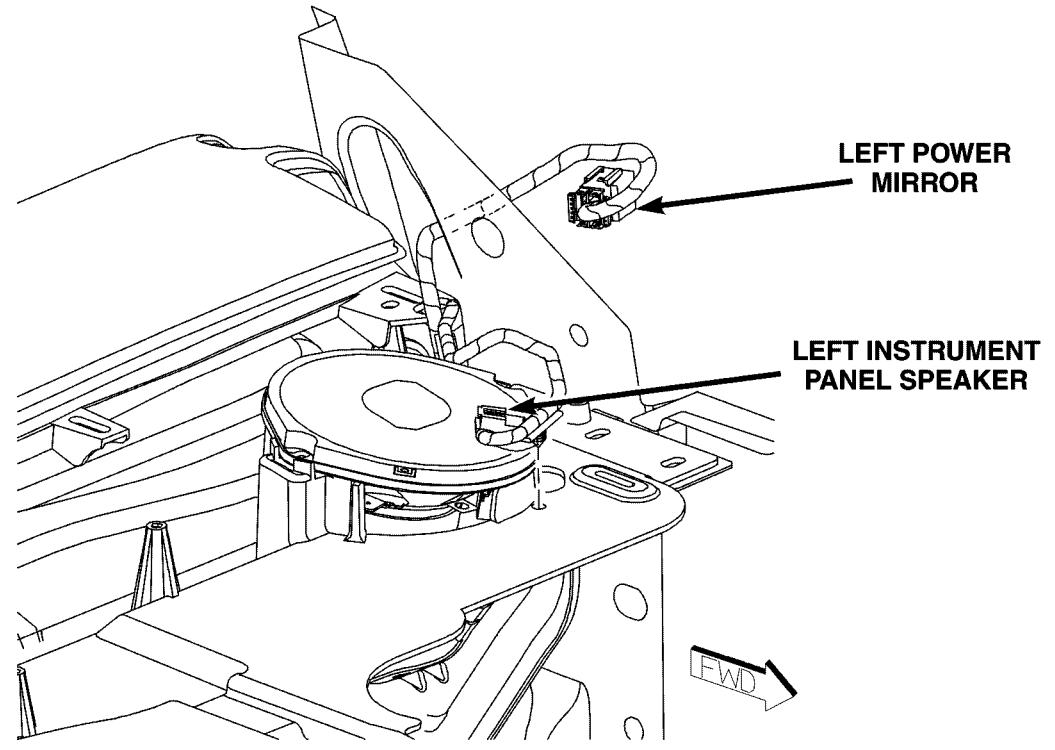


Fig. 25 CENTER INSTRUMENT PANEL RHD



81034030

Fig. 26 INSTRUMENT PANEL RHD



81037a24

Fig. 27 LEFT SIDE INSTRUMENT PANEL UPPER RHD

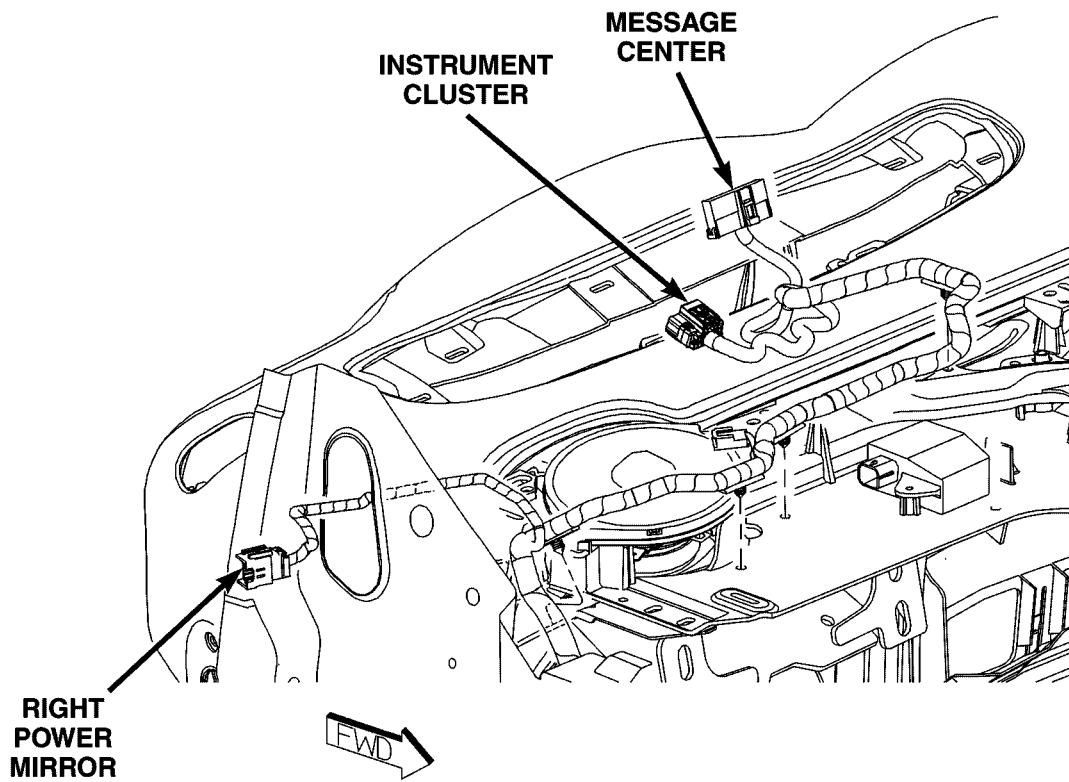


Fig. 28 RIGHT SIDE INSTRUMENT PANEL UPPER RHD

81037a35

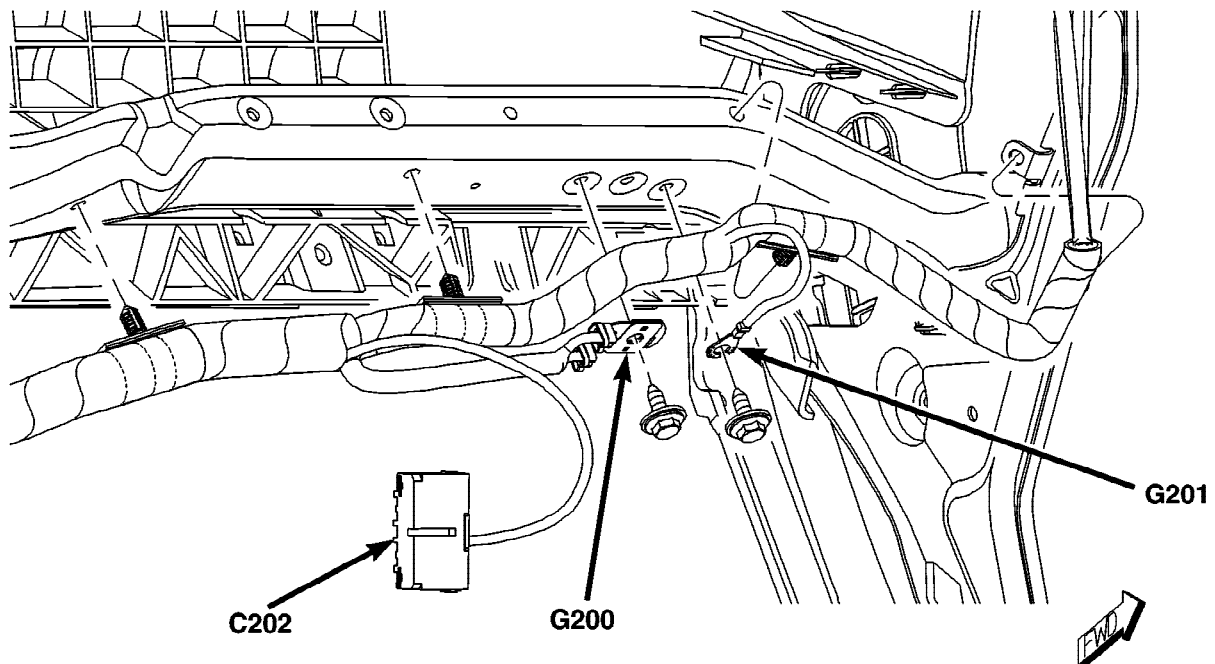


Fig. 29 LEFT SIDE INSTRUMENT PANEL LOWER RHD

816eb4af

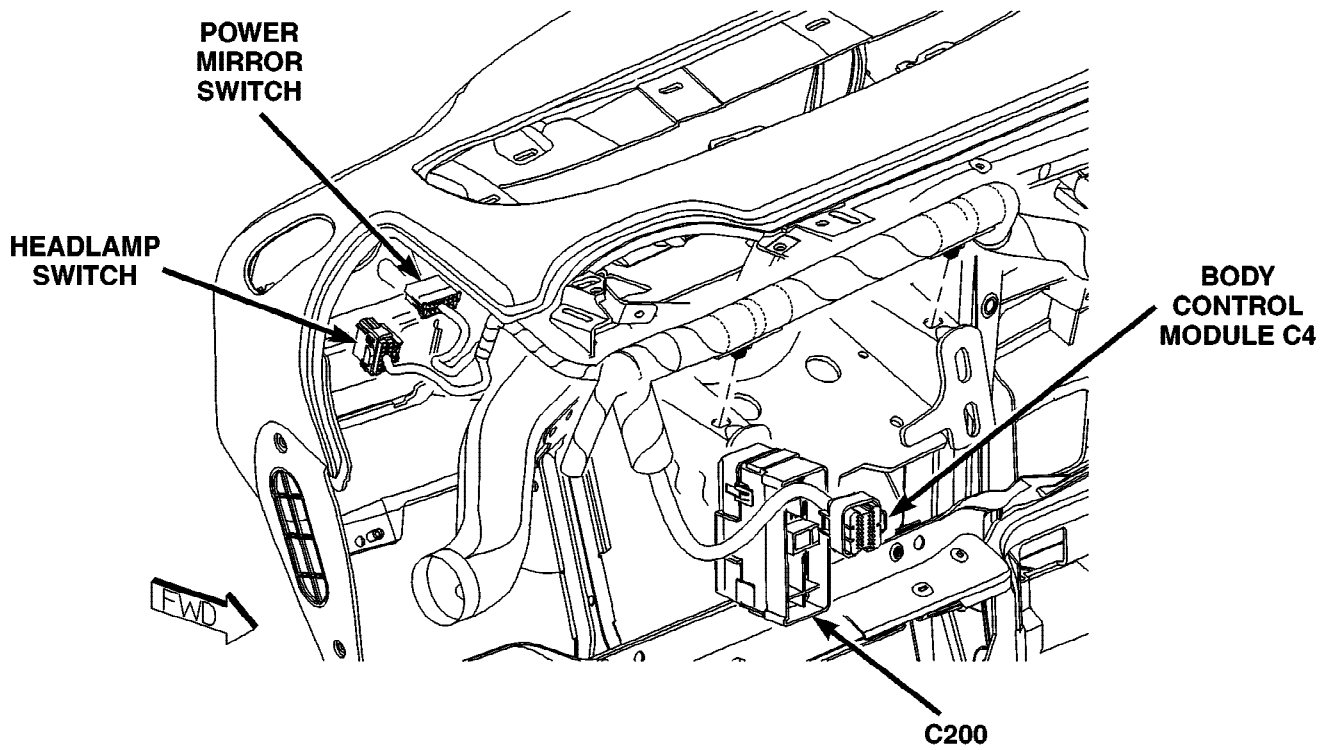


Fig. 30 RIGHT SIDE INSTRUMENT PANEL LOWER RHD

816eb4d4

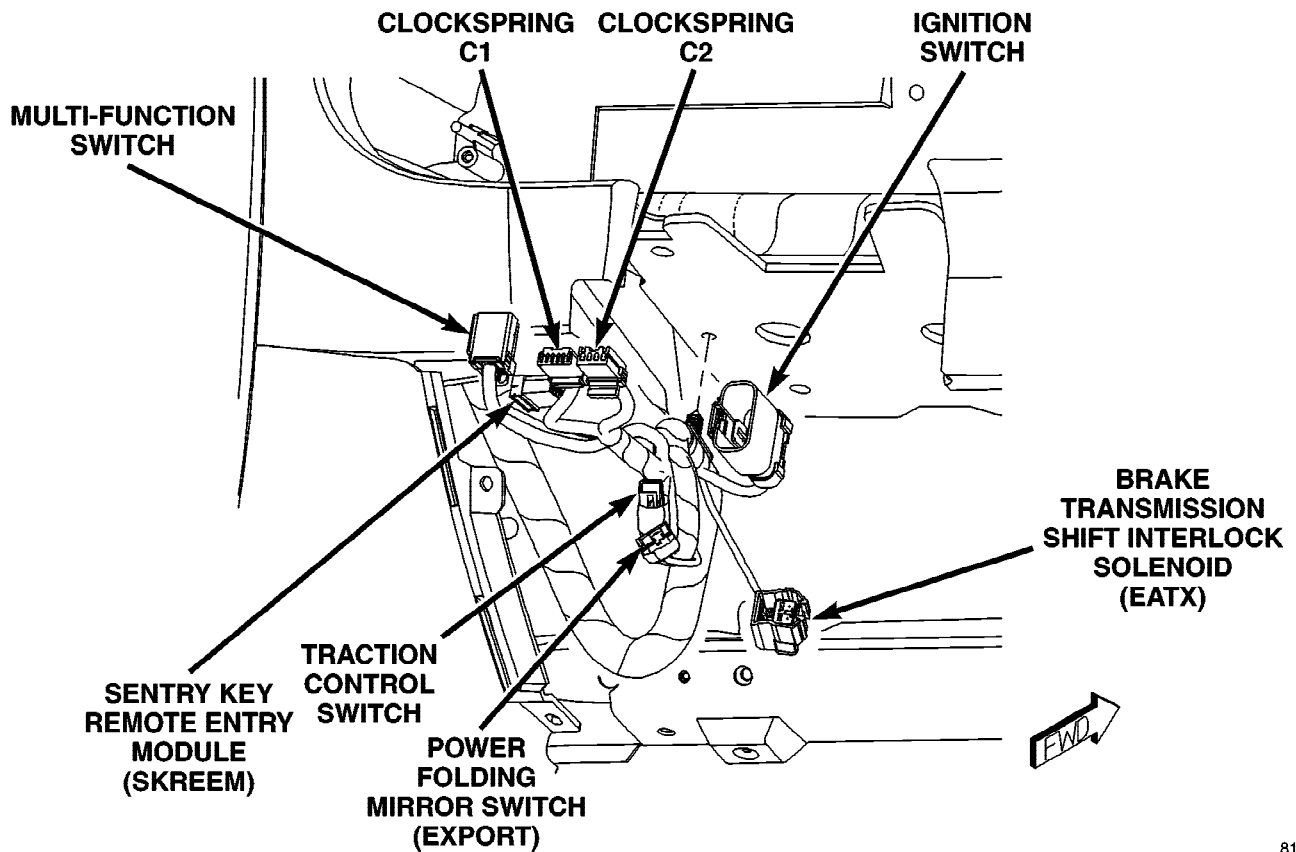


Fig. 31 STEERING COLUMN CONNECTORS RHD

816eb4ef

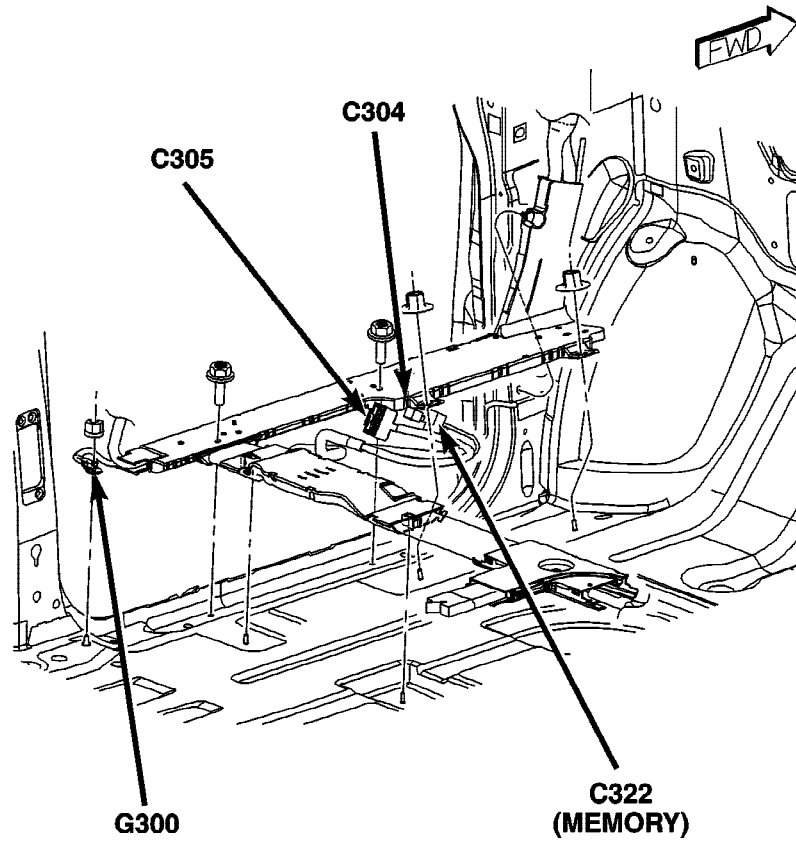
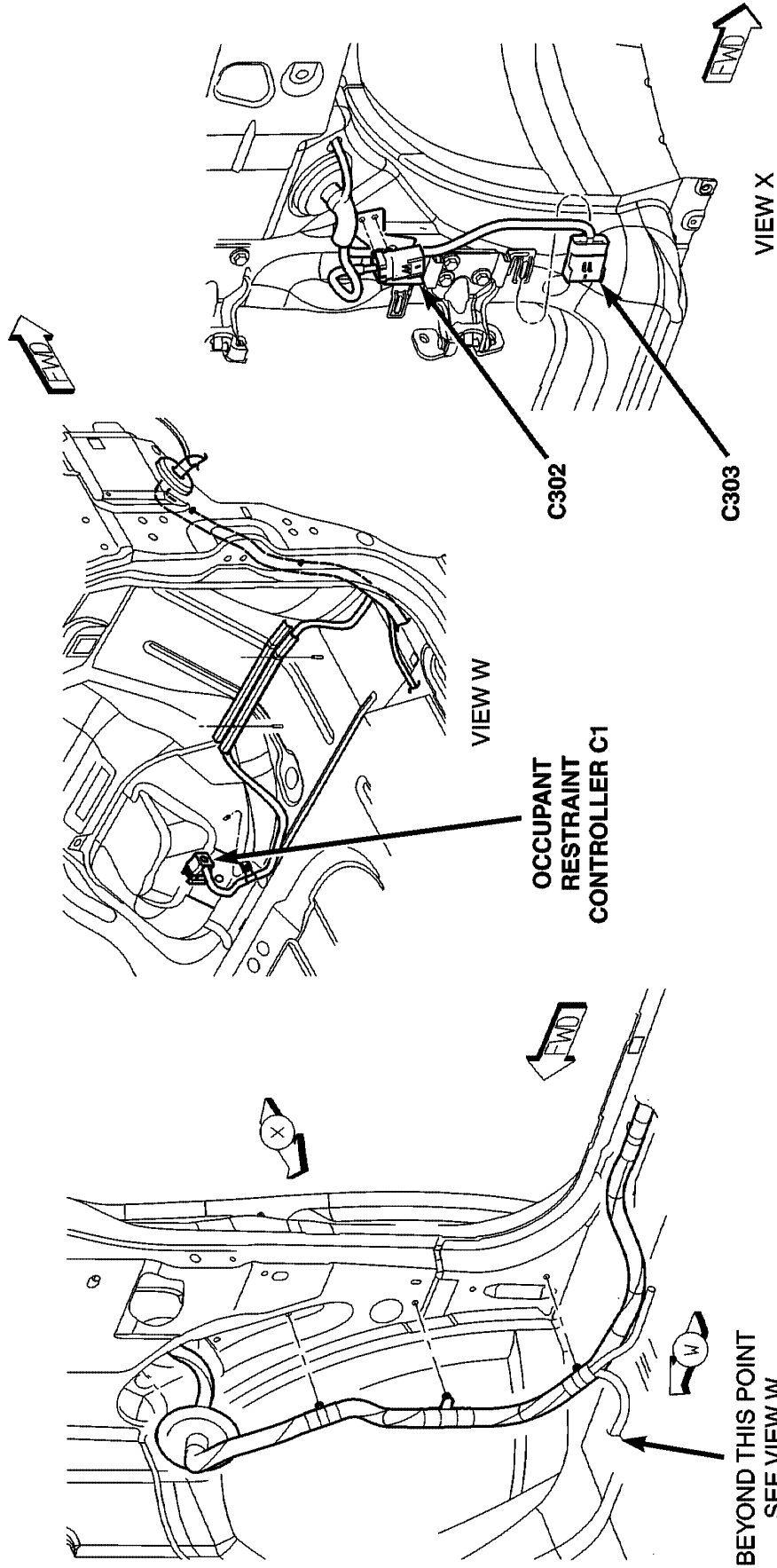


Fig. 32 LEFT SIDE BODY LHD



814a008a

Fig. 33 RIGHT SIDE BODY FRONT LHD

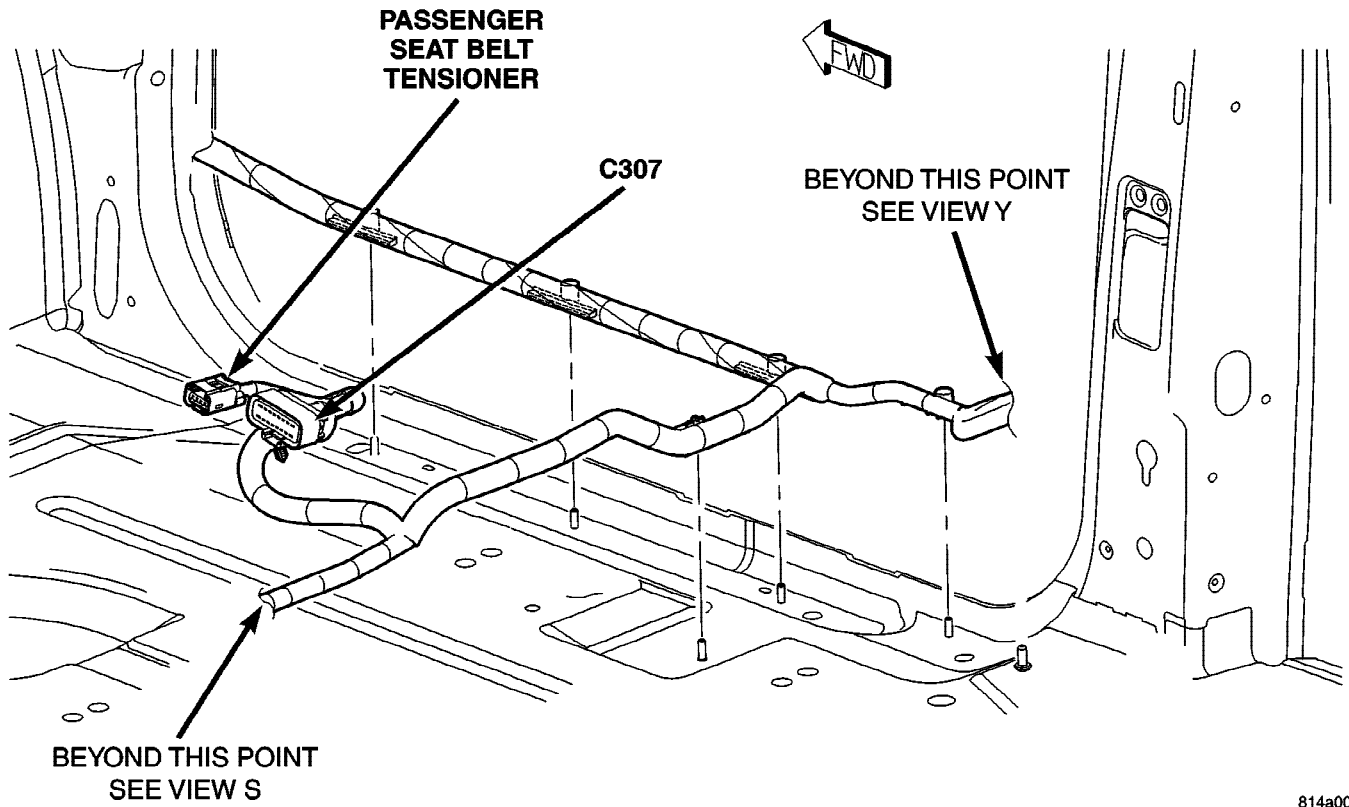
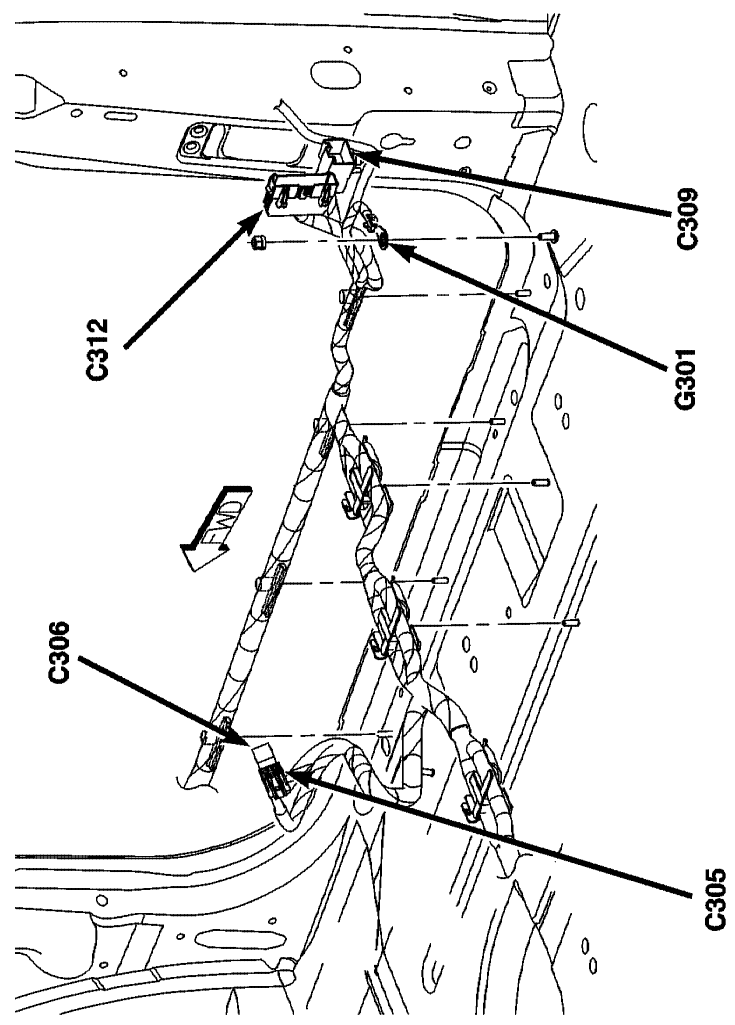
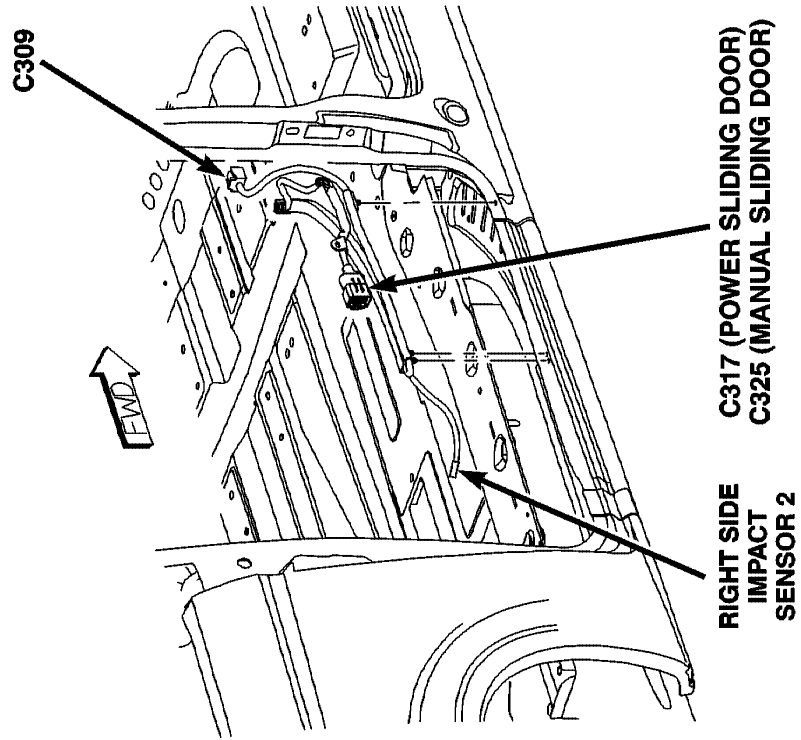


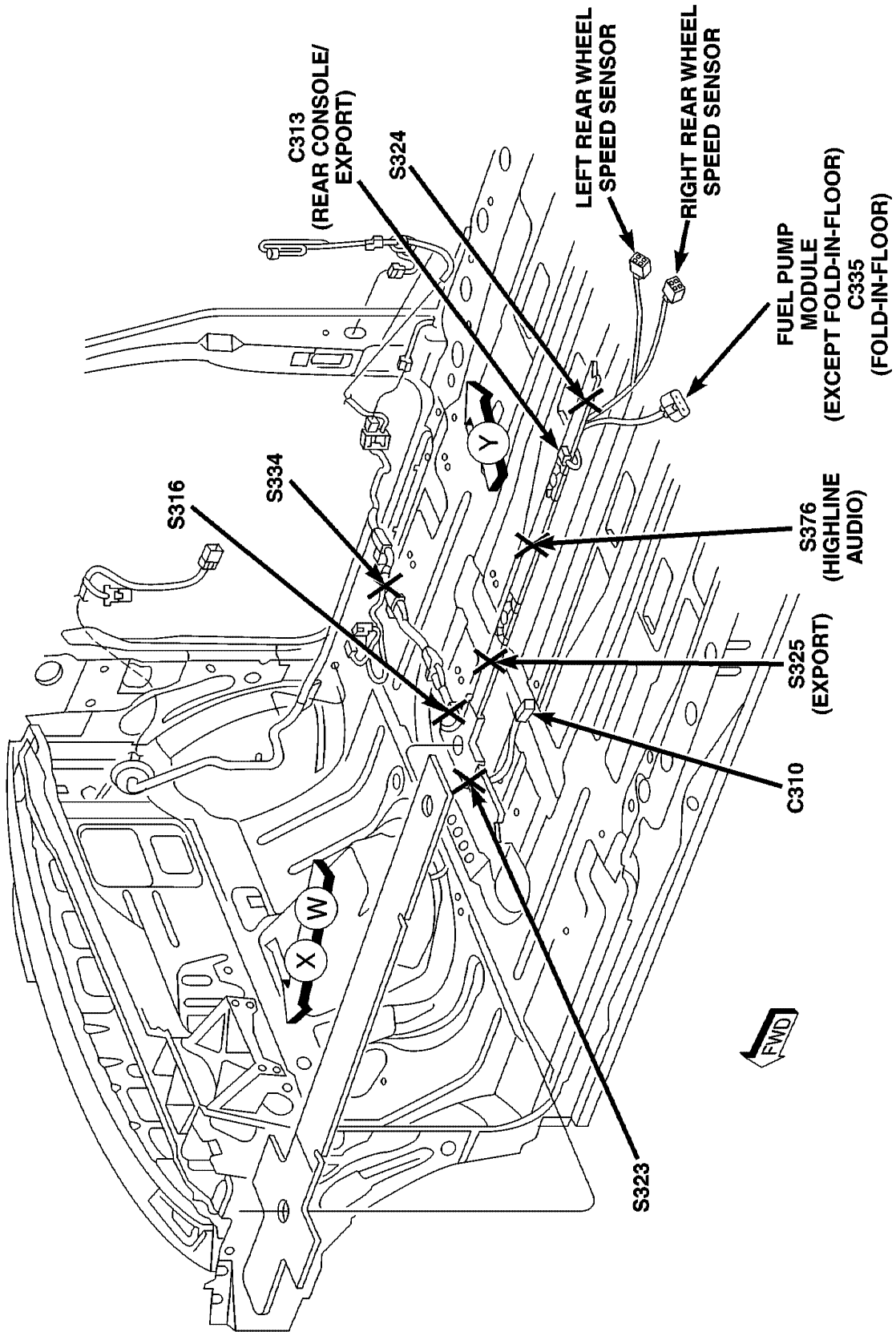
Fig. 34 RIGHT SIDE BODY LHD

814a00db



8149c3a0

Fig. 35 RIGHT SIDE BODY RHD



816eb509

Fig. 36 BODY HARNESS SPLICES

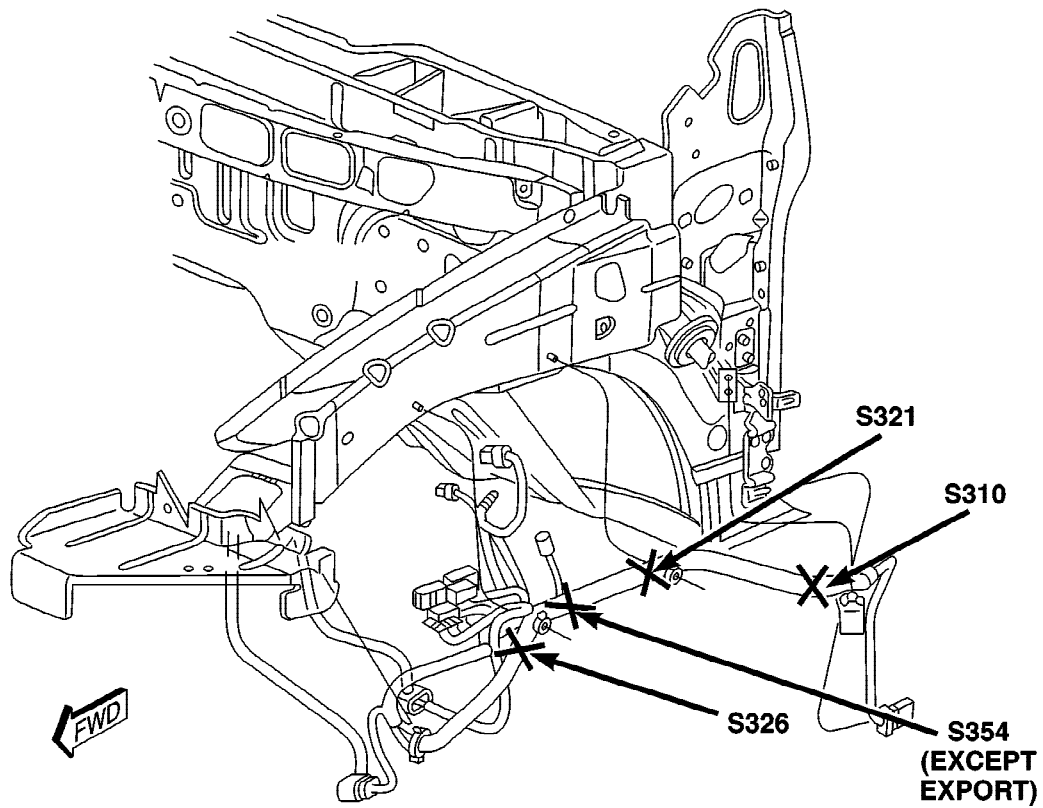
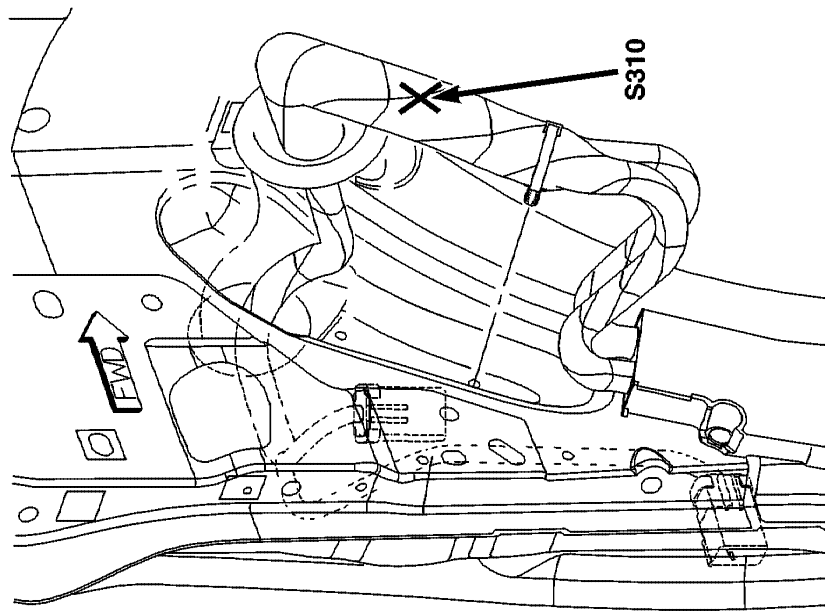
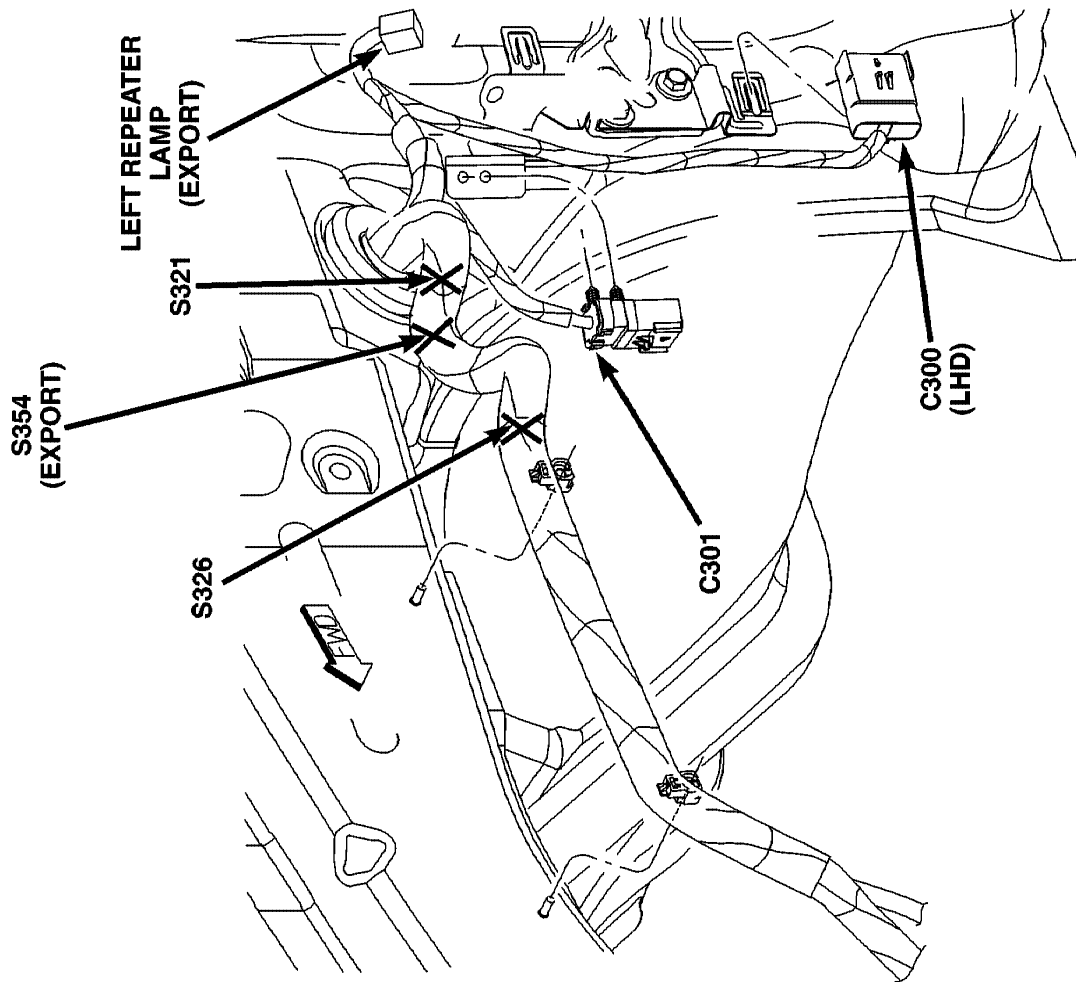


Fig. 37 BODY HARNESS SPLICES



816eb57e

Fig. 38 LEFT FRONT LAMP SPLICES

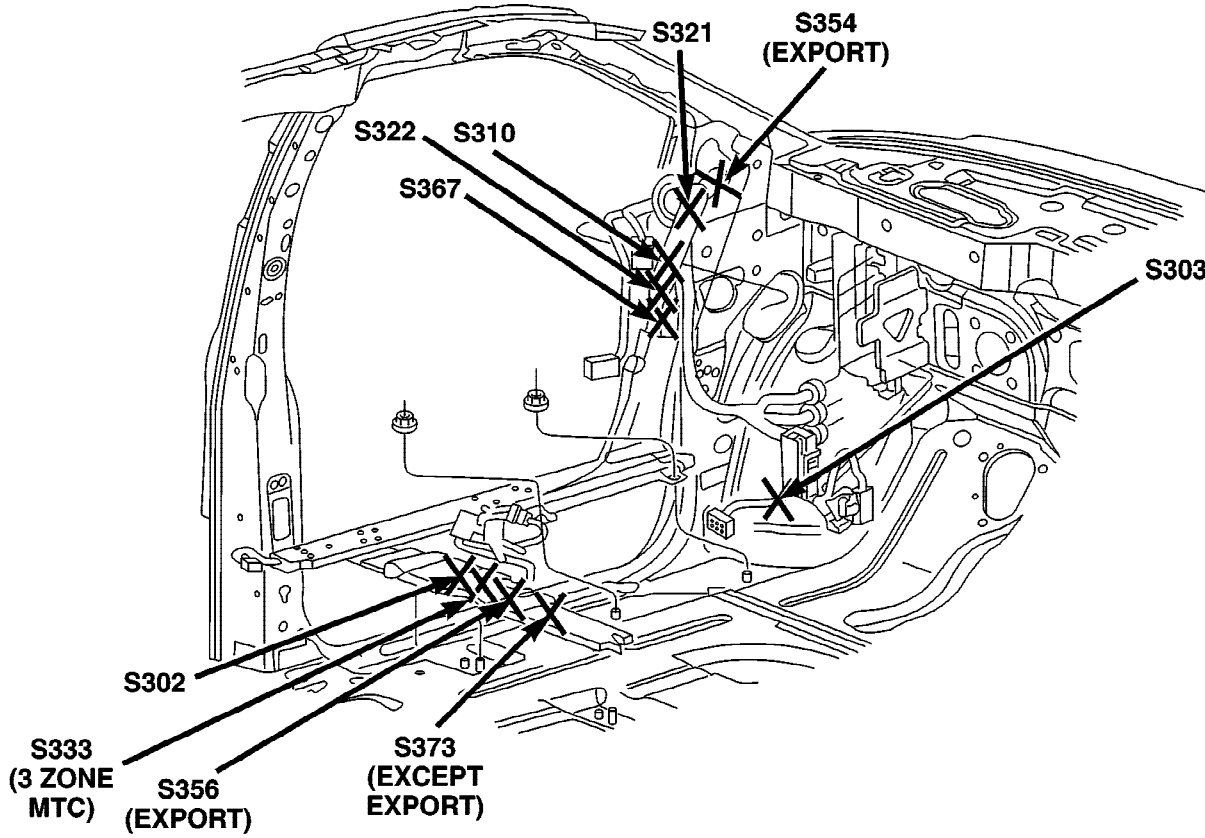


Fig. 39 LEFT FRONT BODY SPLICES

8103416b

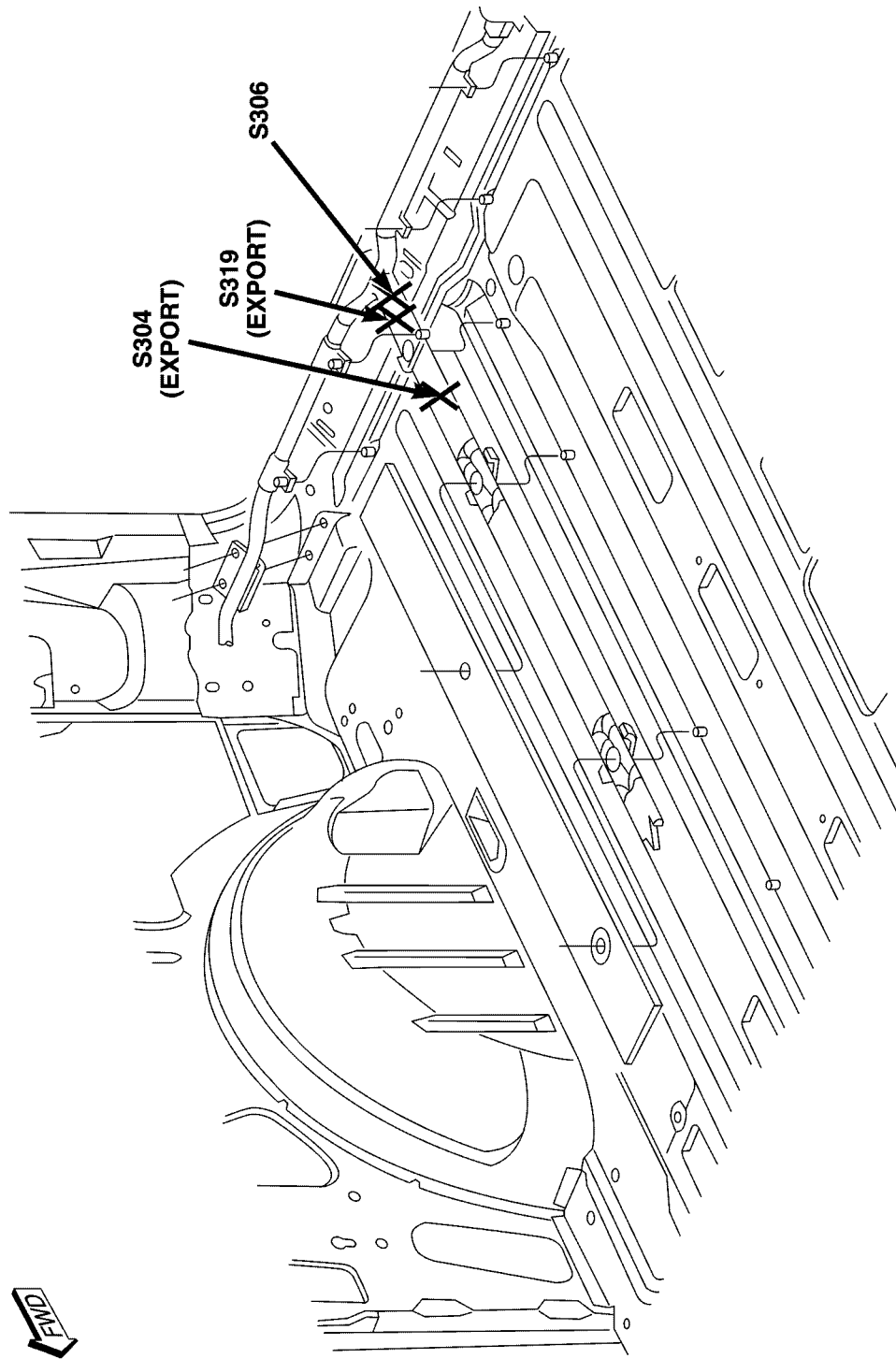


Fig. 40 REAR BODY SPLICES

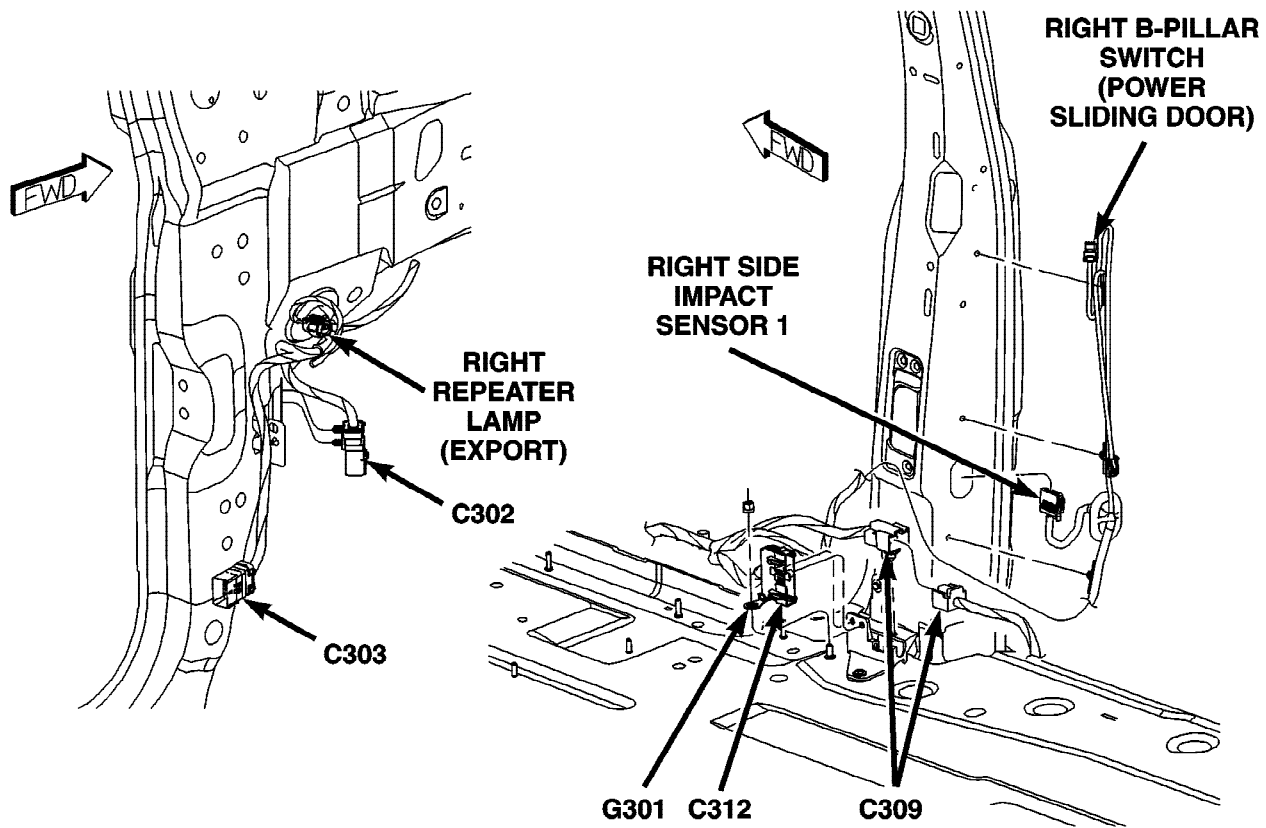


Fig. 41 RIGHT B PILLAR

8149d3f1

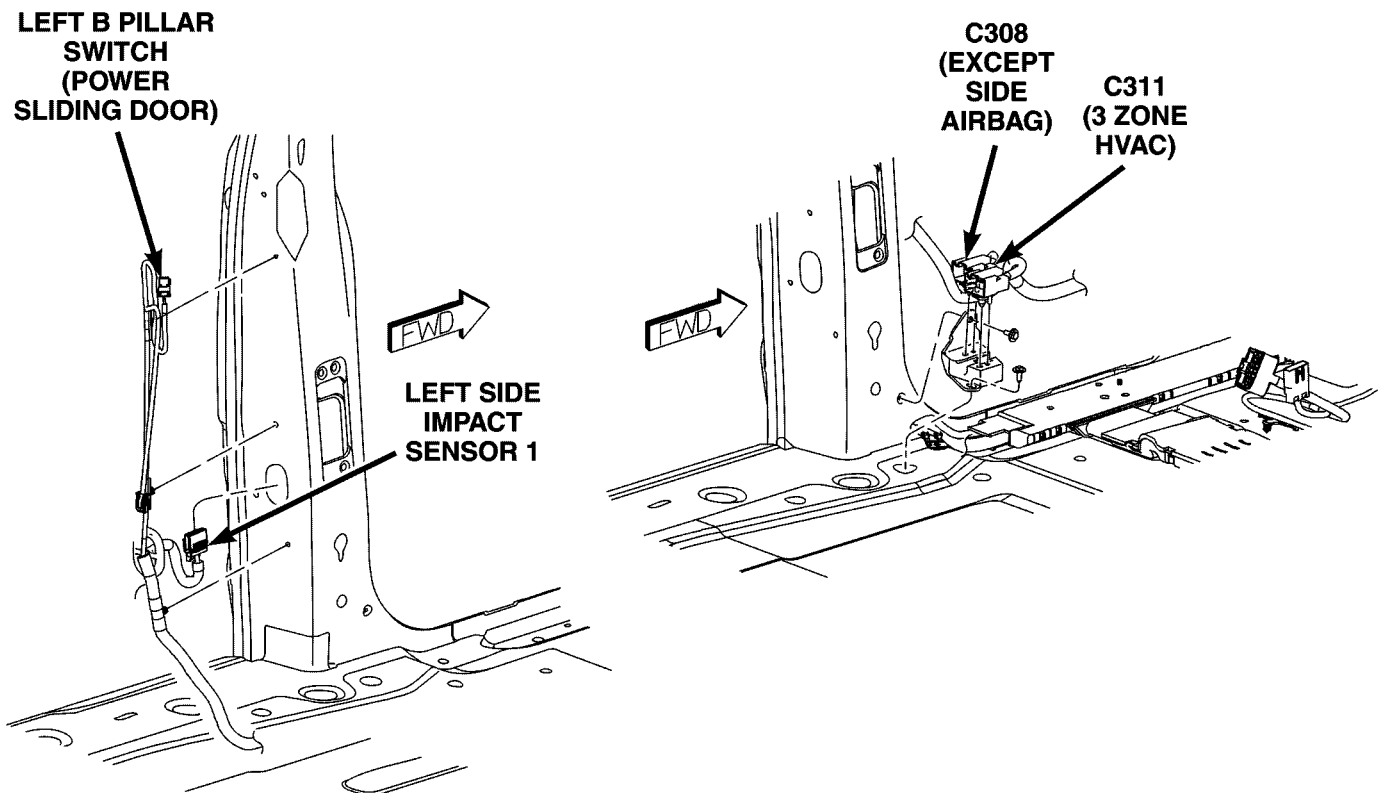


Fig. 42 LEFT B PILLAR

81034172

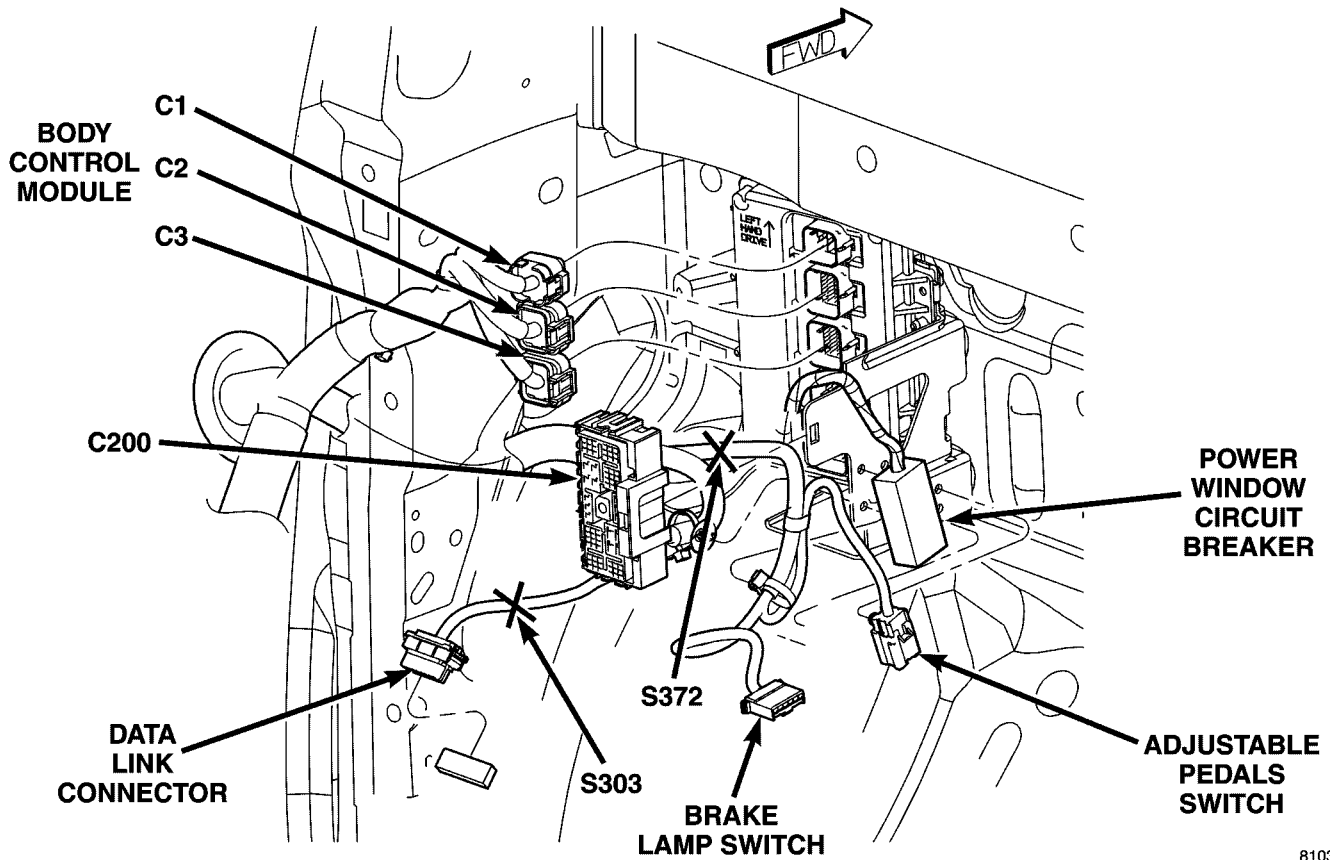
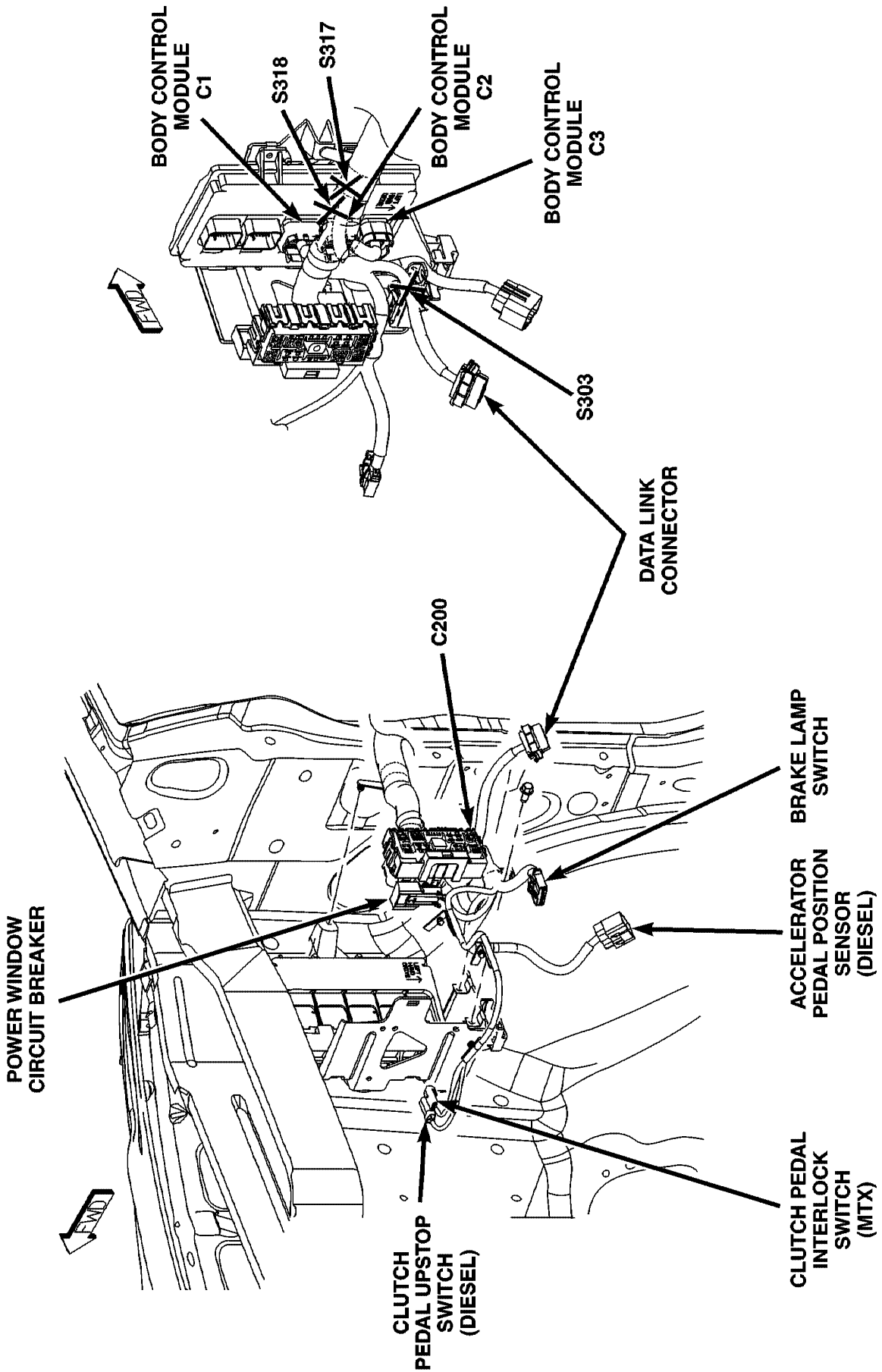


Fig. 43 LEFT SIDE KICK PANEL LHD



816eb5ec

Fig. 44 RIGHT SIDE KICK PANEL RHD

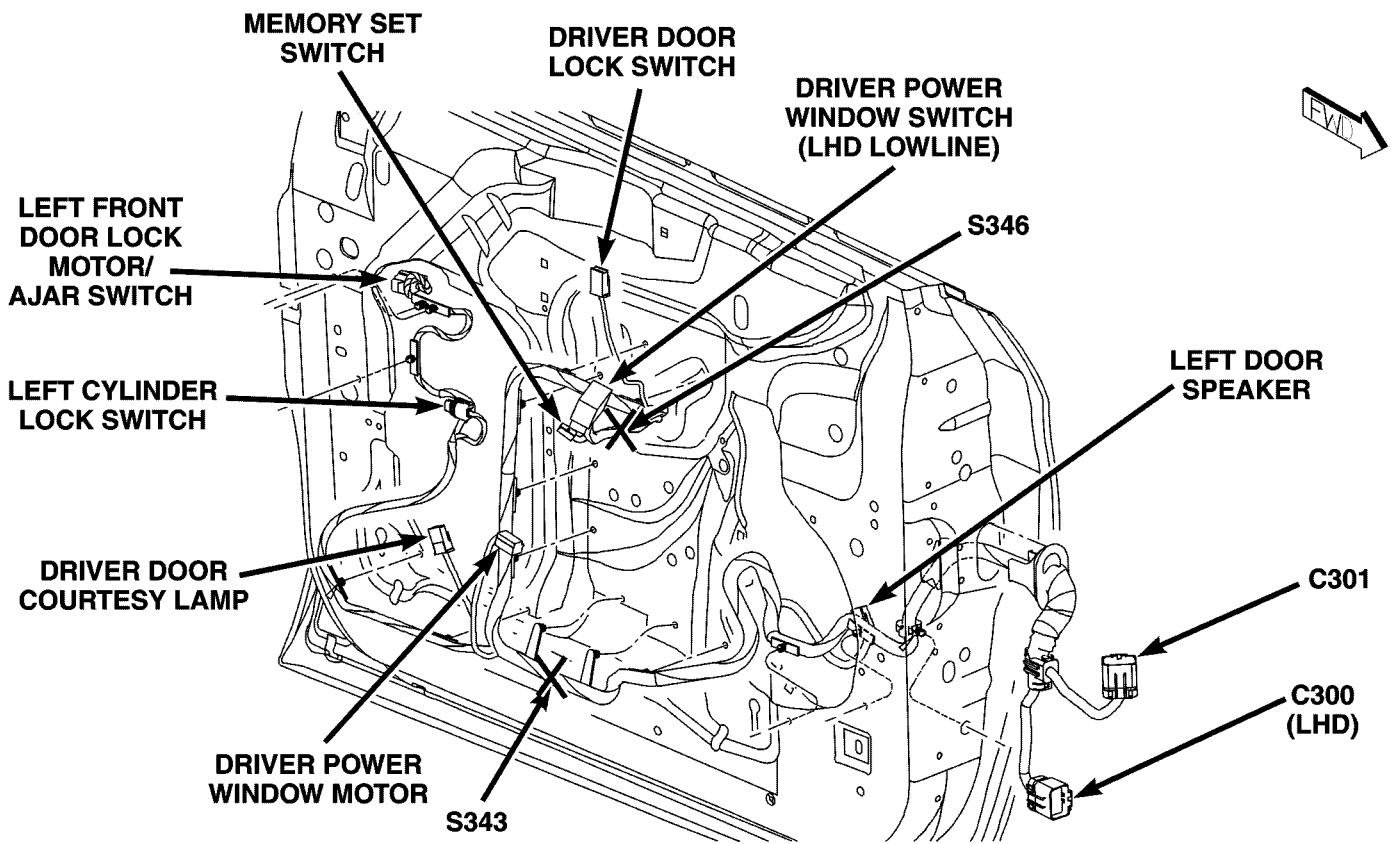


Fig. 45 DRIVER DOOR

810342dd

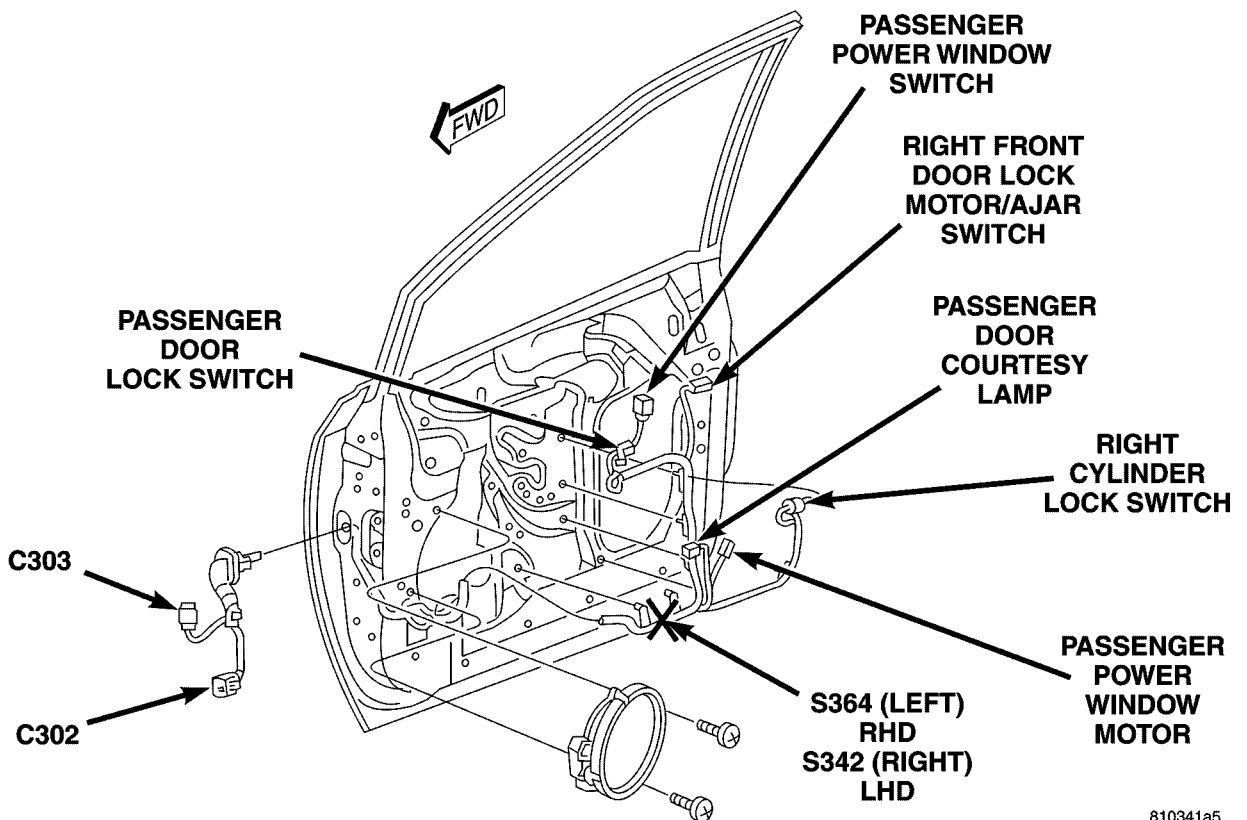
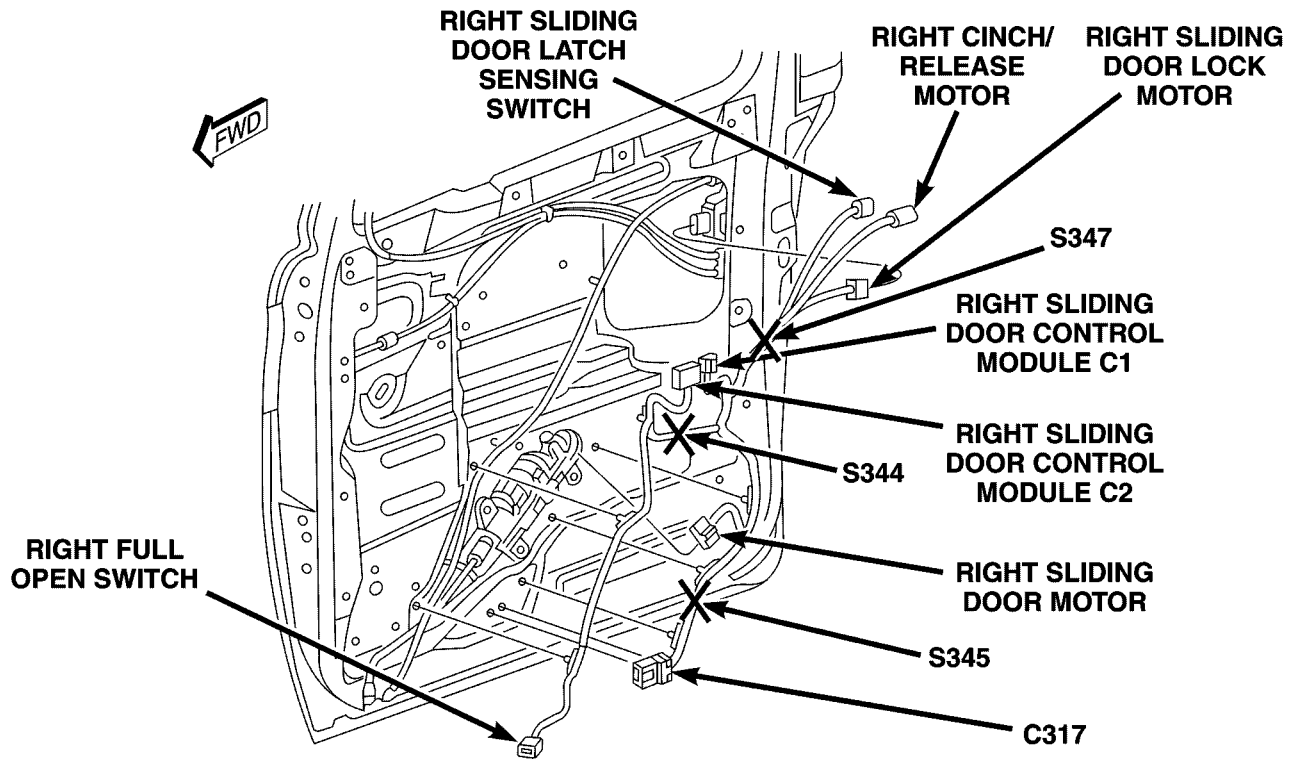


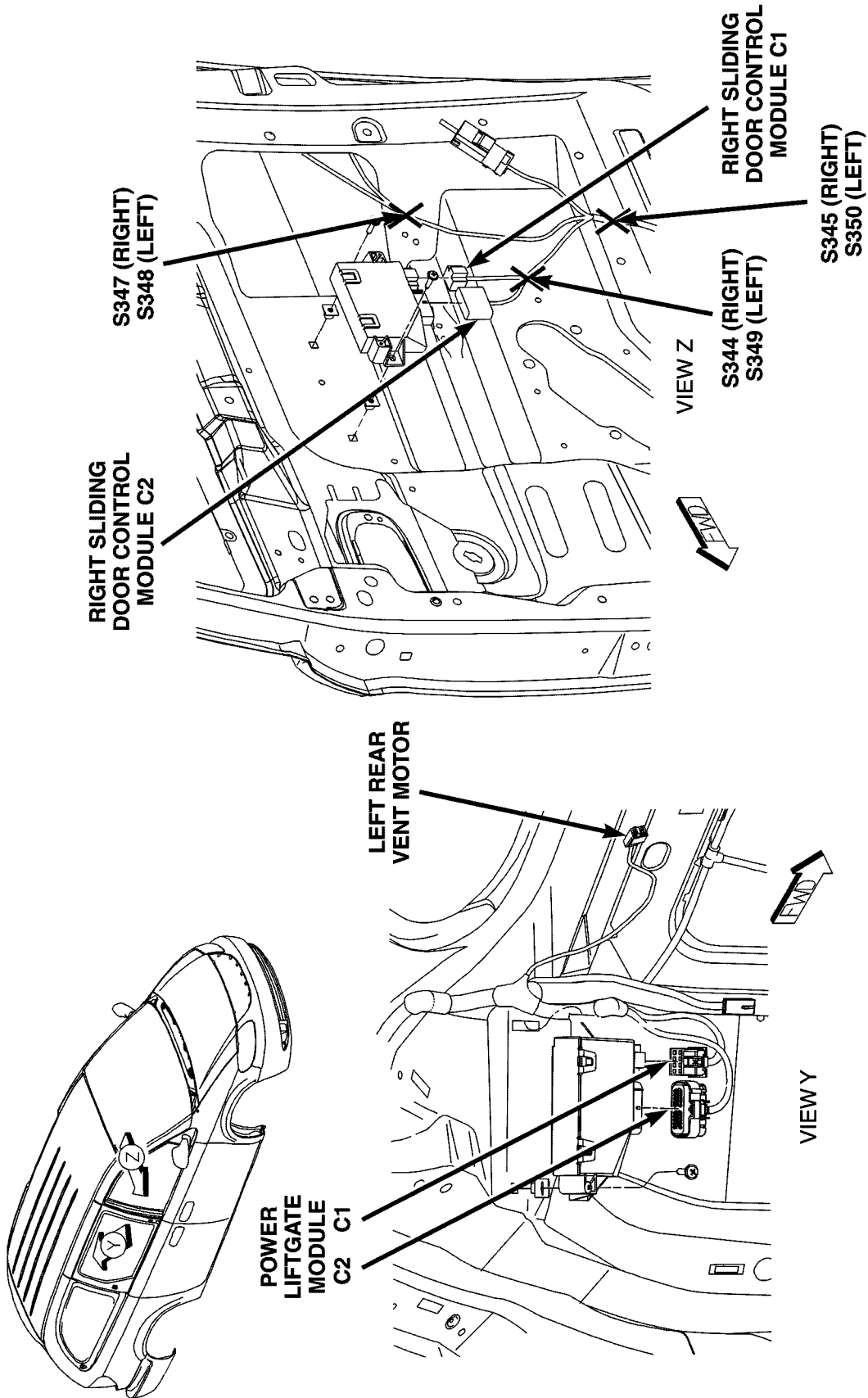
Fig. 46 PASSENGER DOOR

810341a5



80d54089

Fig. 47 RIGHT SLIDING DOOR



80d5407d

Fig. 48 LIFTGATE AND SLIDING DOOR MODULES

816eb5d6

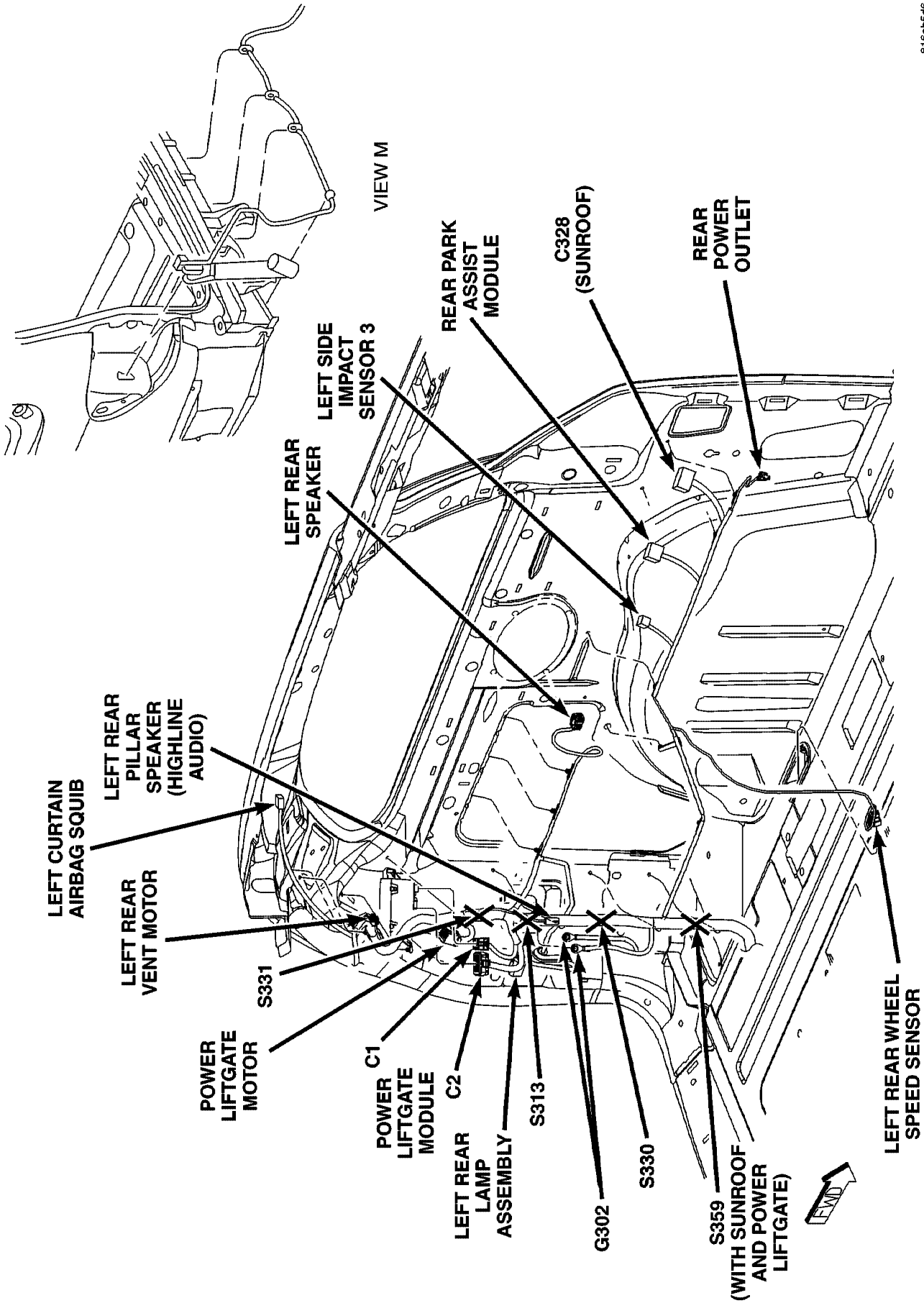


Fig. 49 LEFT REAR BODY

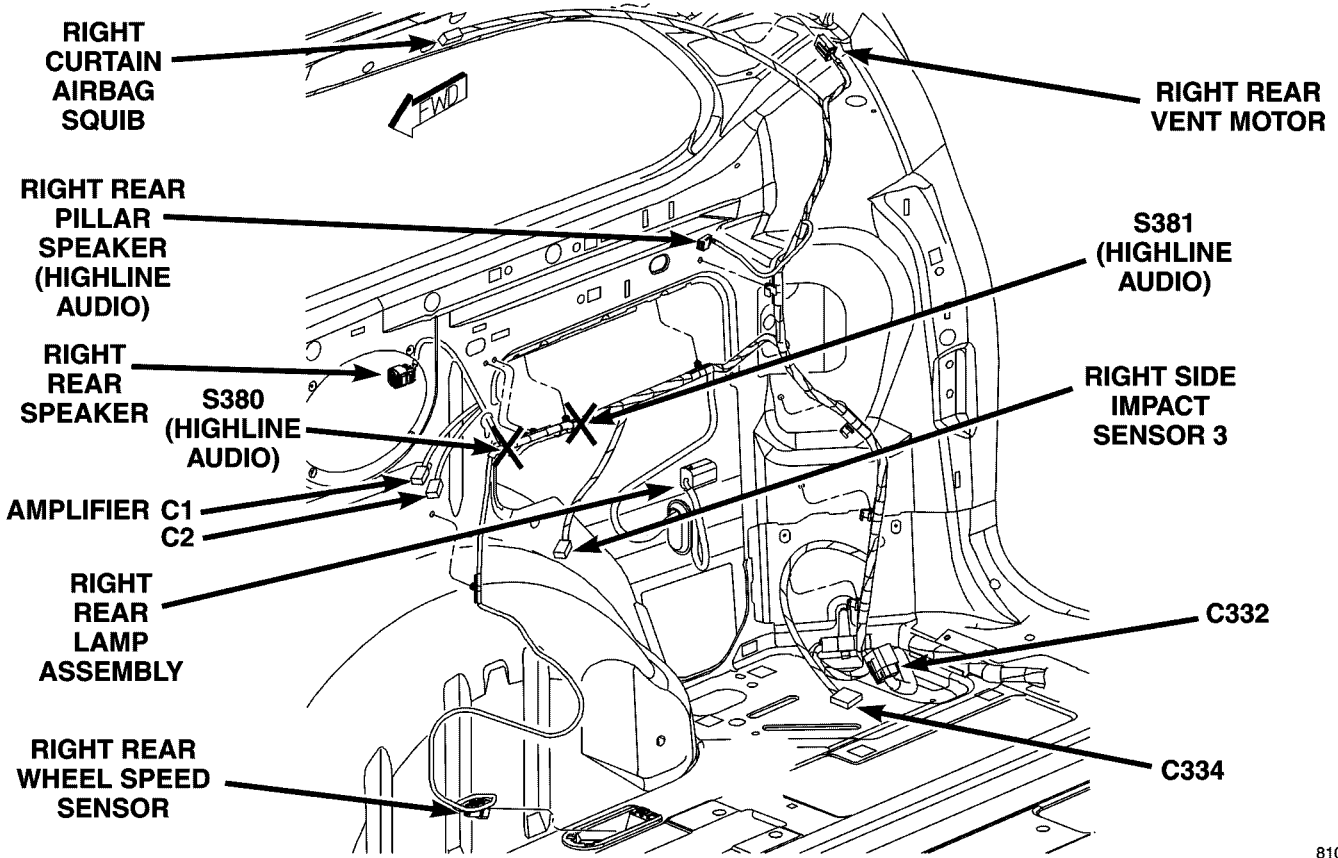


Fig. 50 RIGHT QUARTER

810341c7

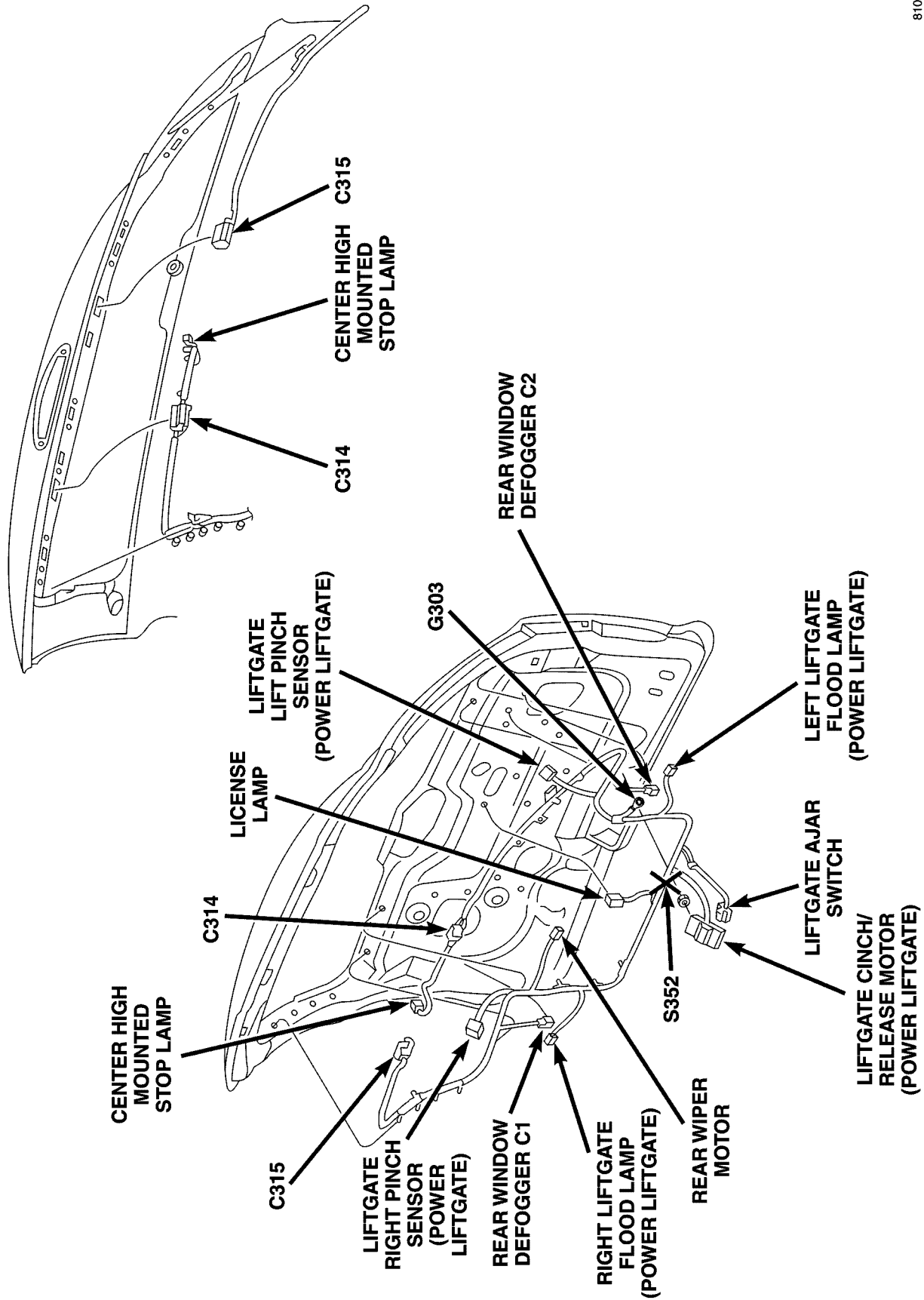


Fig. 51 LIFTGATE

810342fc

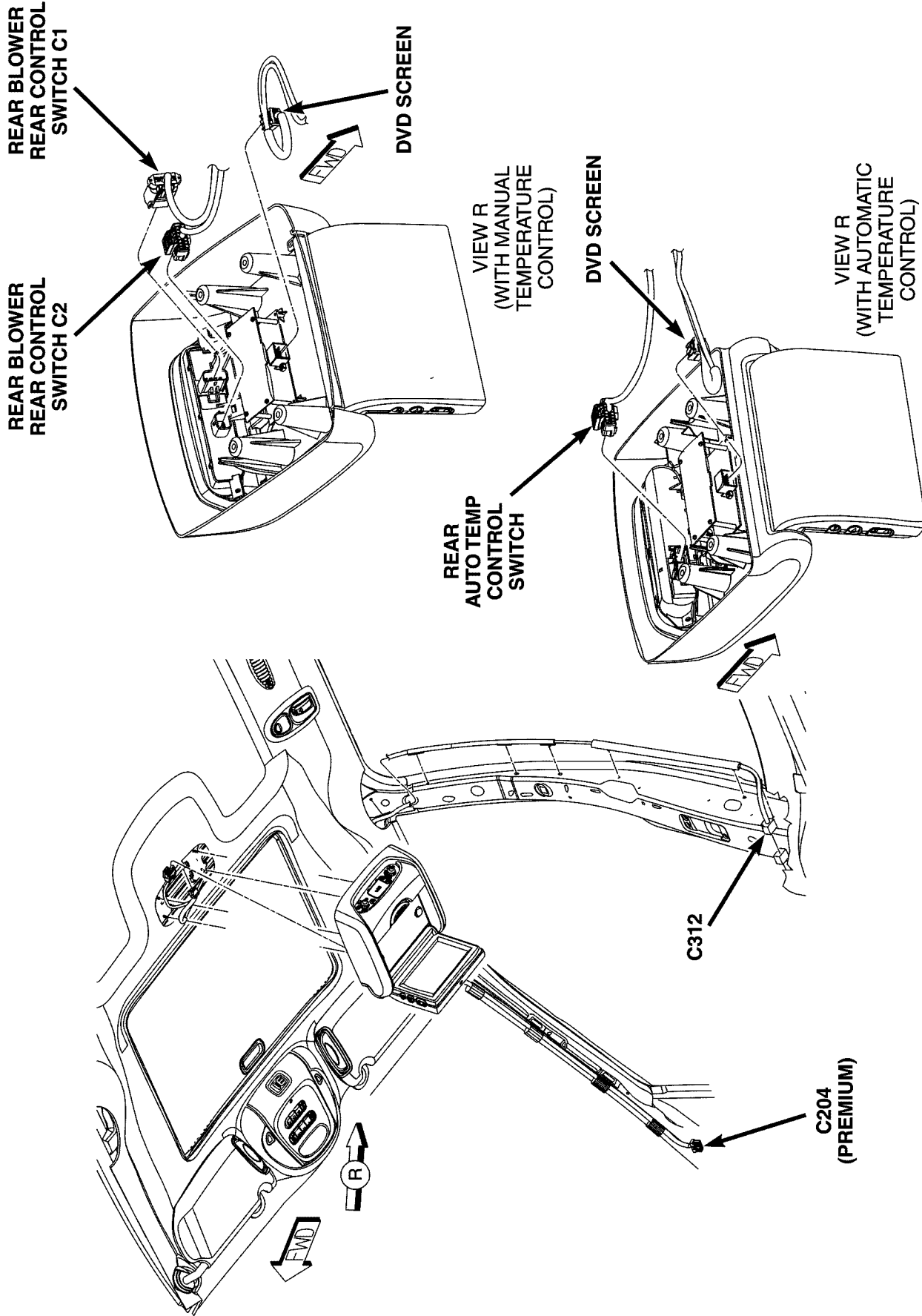


Fig. 52 HEADLINER