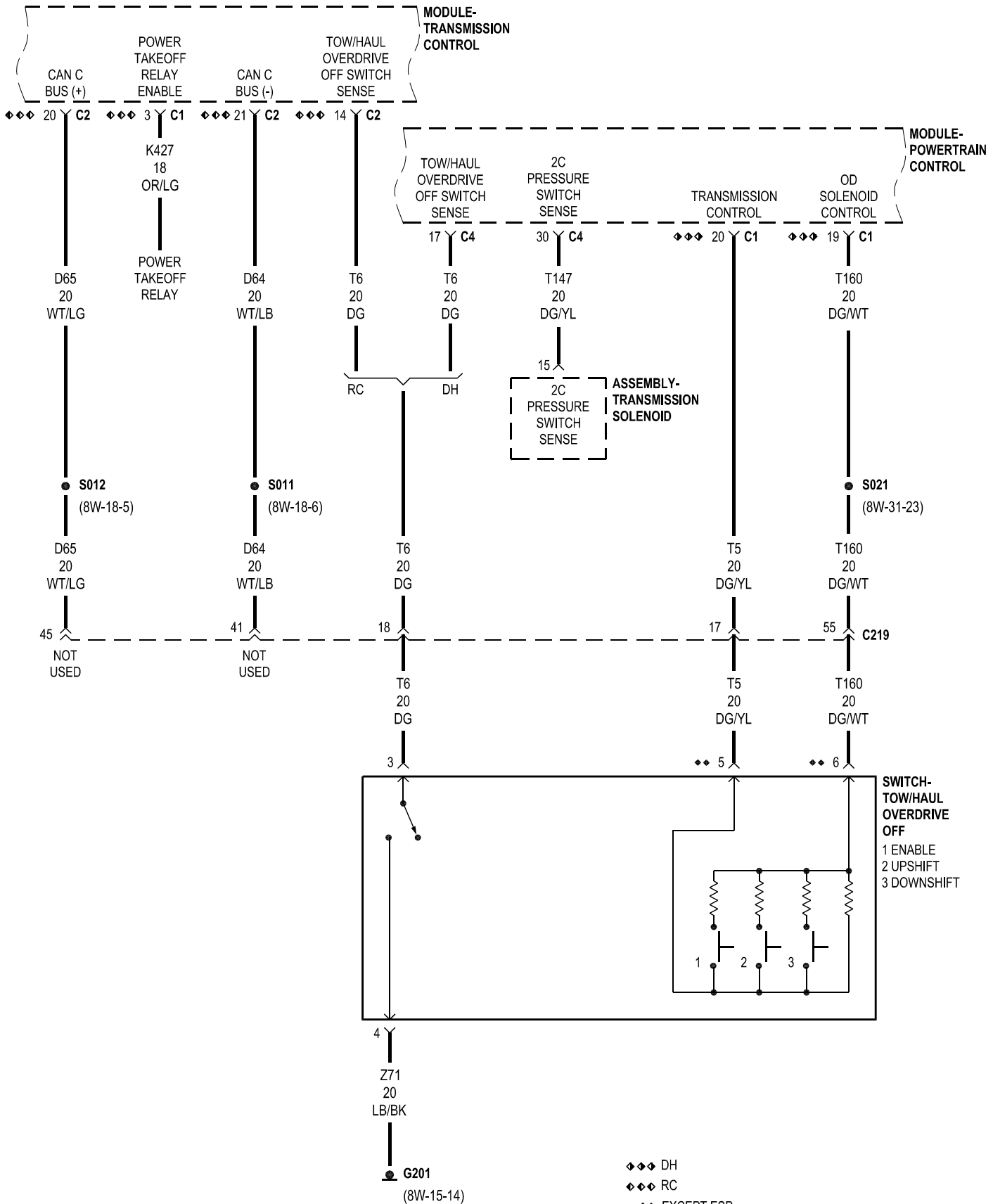
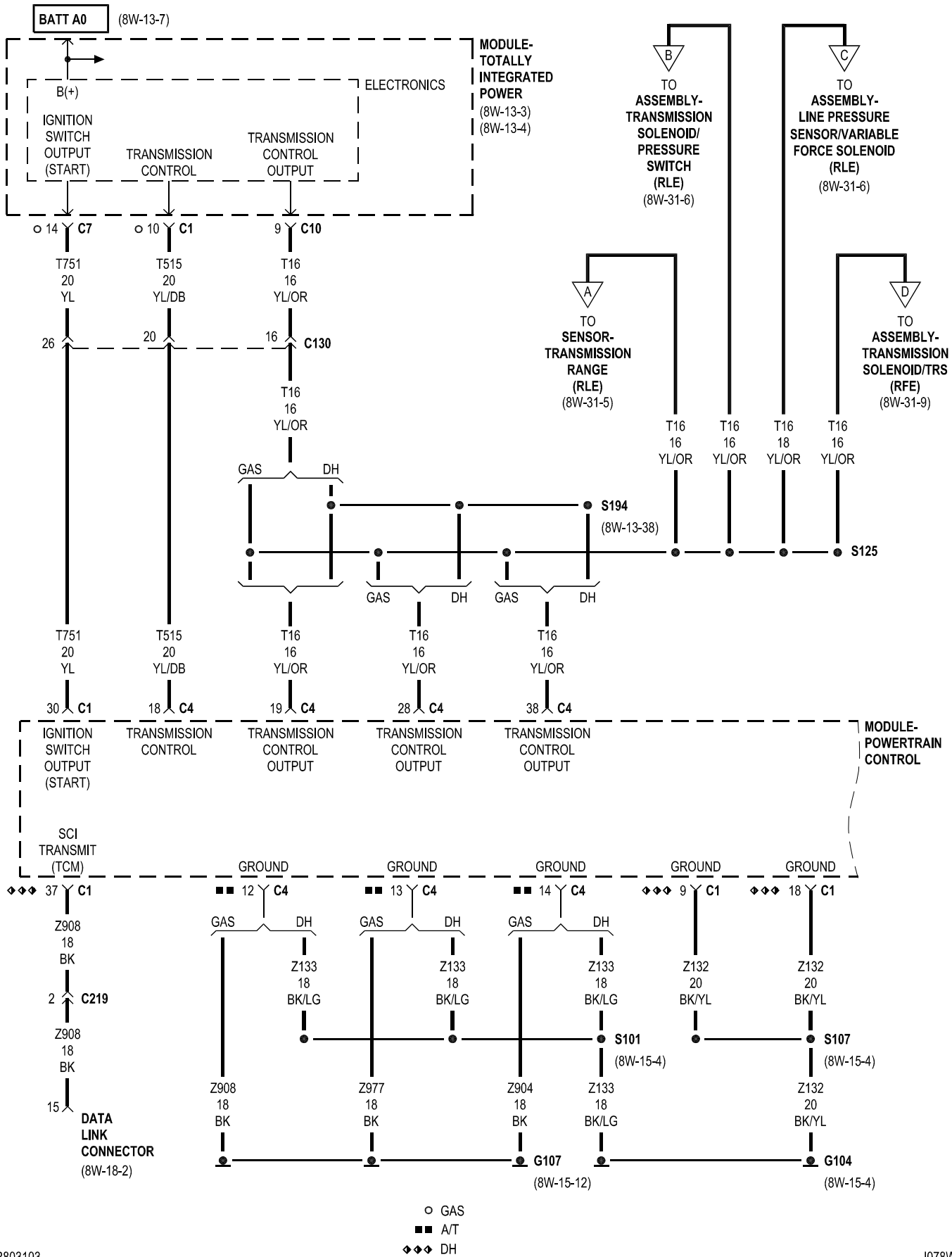


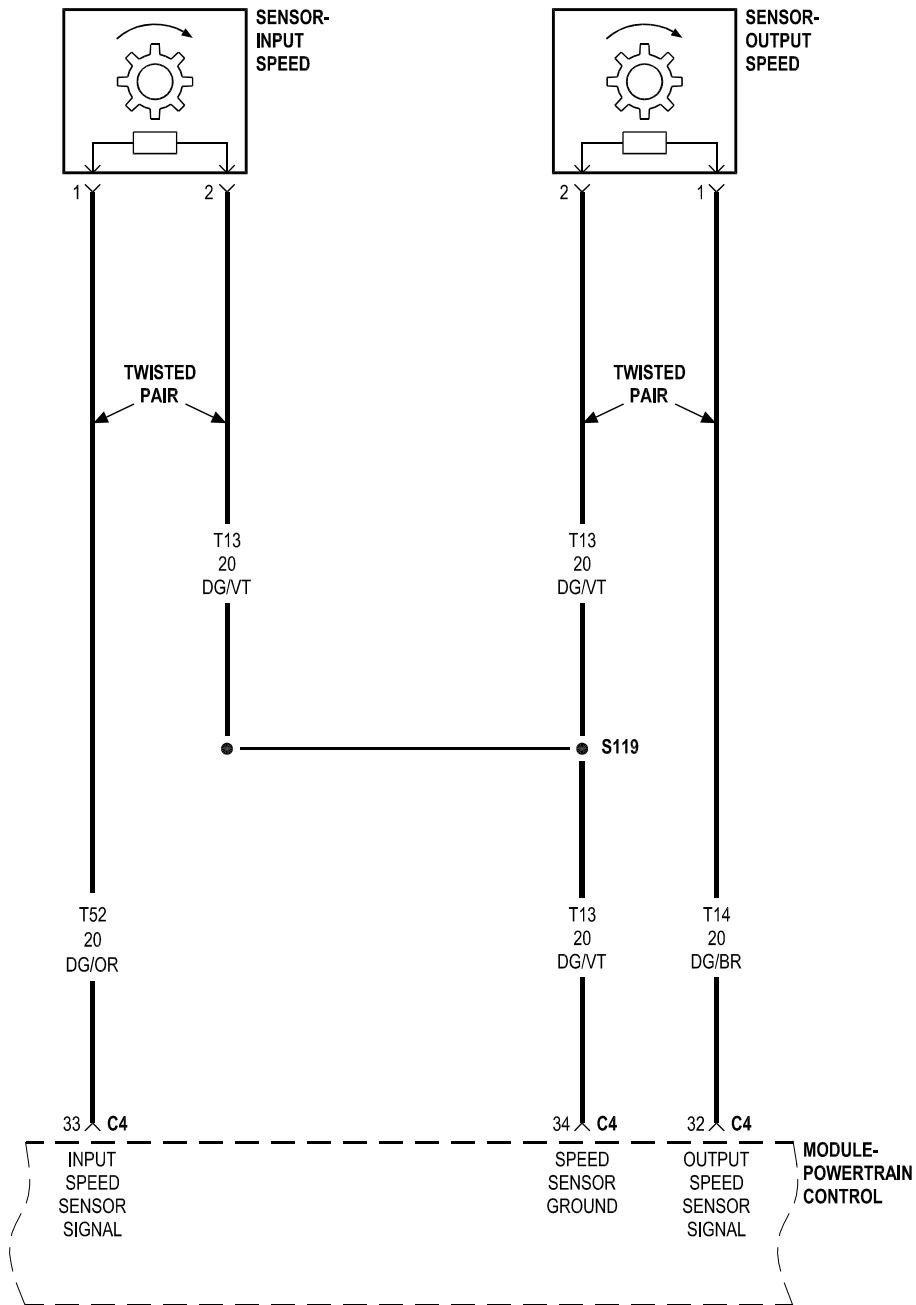
## 8W-31 TRANSMISSION CONTROL SYSTEM

<b>Component</b>	<b>Page</b>
Assembly-Line Pressure Sensor/Variable Force Solenoid.....	8W-31-3, 6
Assembly - Shift Motor/Mode Sensor.....	8W-31-19, 20
Assembly Transmission Solenoid.....	8W-31-2, 7, 16, 17, 25, 26
Assembly Transmission Solenoid/Pressure Switch.....	8W-31-6
Assembly Transmission Solenoid/TRS.....	8W-31-3, 6, 7, 8, 9
Assembly Transmission Throttle Valve.....	8W-31-16, 17
Cluster.....	8W-31-11, 15, 18, 21
Fuse 4.....	8W-31-23
Fuse 9.....	8W-31-11
Fuse 10.....	8W-31-24
Fuse 25.....	8W-31-19
Fuse 29.....	8W-31-18
Fuse 30.....	8W-31-11
G104.....	8W-31-3, 11, 12, 14, 22
G106.....	8W-31-21, 23
G107.....	8W-31-3, 10
G201.....	8W-31-2, 18
G203.....	8W-31-21
Module-Axle Disconnect-Front.....	8W-31-21

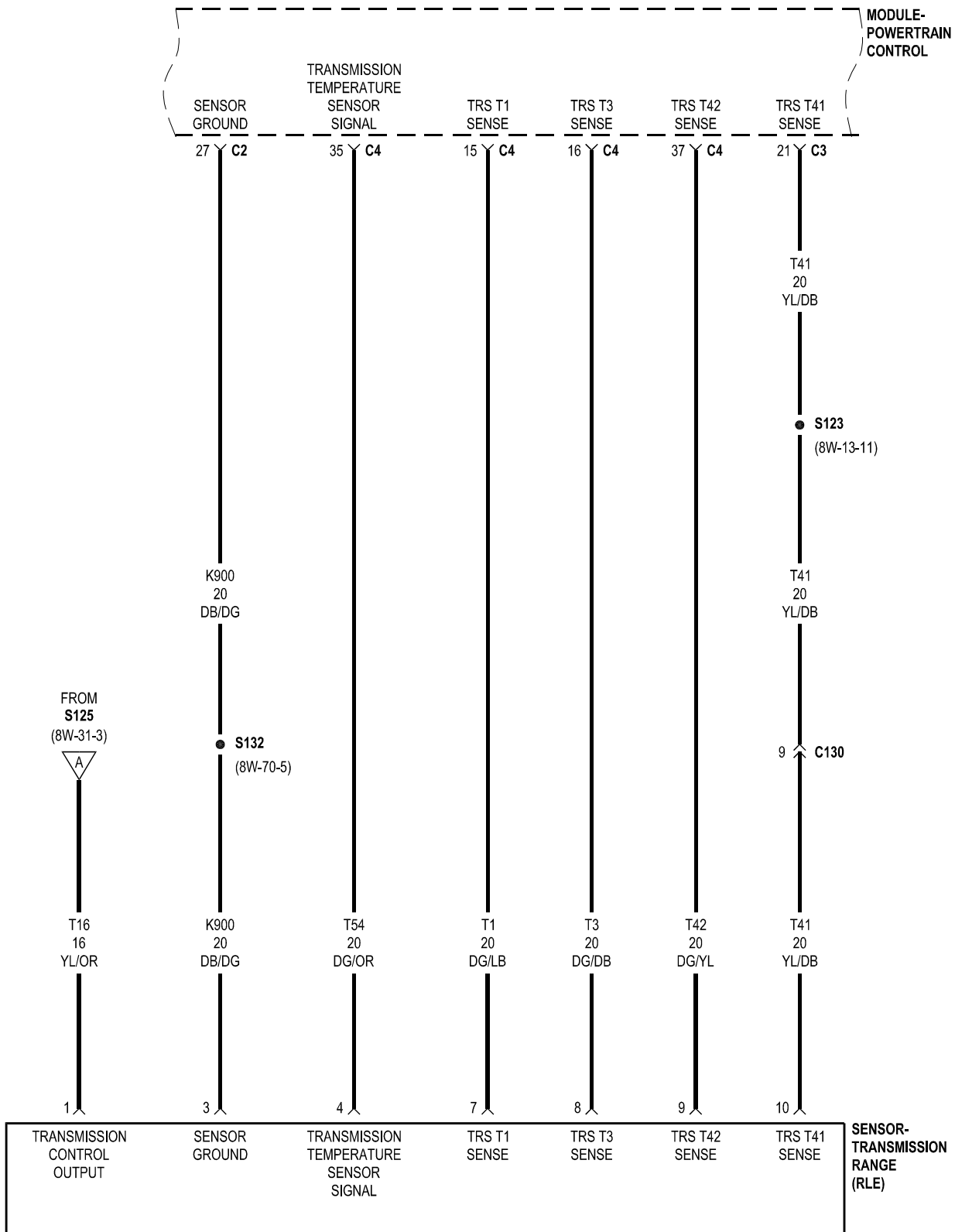
<b>Component</b>	<b>Page</b>
Module-Engine Control.....	8W-31-15, 16, 17
Module-Final Drive Control.....	8W-31-11, 12, 13
Module-Powertrain Control.....	8W-31-2, 3, 4, 5, 6, 7, 8
Module-Steering Control.....	8W-31-17
Module-Totally Integrated Power.....	8W-31-3, 10, 11, 14, 16, 18, 19, 20, 21, 22, 23, 24
Module-Transmission Control.....	8W-31-2, 23, 24, 25, 26
Sensor-Input Speed.....	8W-31-4
Sensor-Line Pressure.....	8W-31-6, 8
Sensor-Output Speed.....	8W-31-4, 8, 23
Sensor-Prop Shaft Speed-Front.....	8W-31-20
Sensor-Prop Shaft Speed-Rear.....	8W-31-20
Sensor-Transfer Case Position.....	8W-31-14, 22
Sensor Transmission Range.....	8W-31-2, 4, 12, 21
Sensor-Transmission Temperature.....	8W-31-25
Solenoid-Brake Transmission Shift Interlock.....	8W-21-21
Solenoid-Locker-Front.....	8W-31-13
Solenoid-Locker-Rear.....	8W-31-13
Switch-Disconnecting Stabilizer Bar.....	8W-31-11, 12
Switch-Tow/Haul Overdrive.....	8W-31-2
Switch-Transfer Case Selector.....	8W-31-14, 18, 22

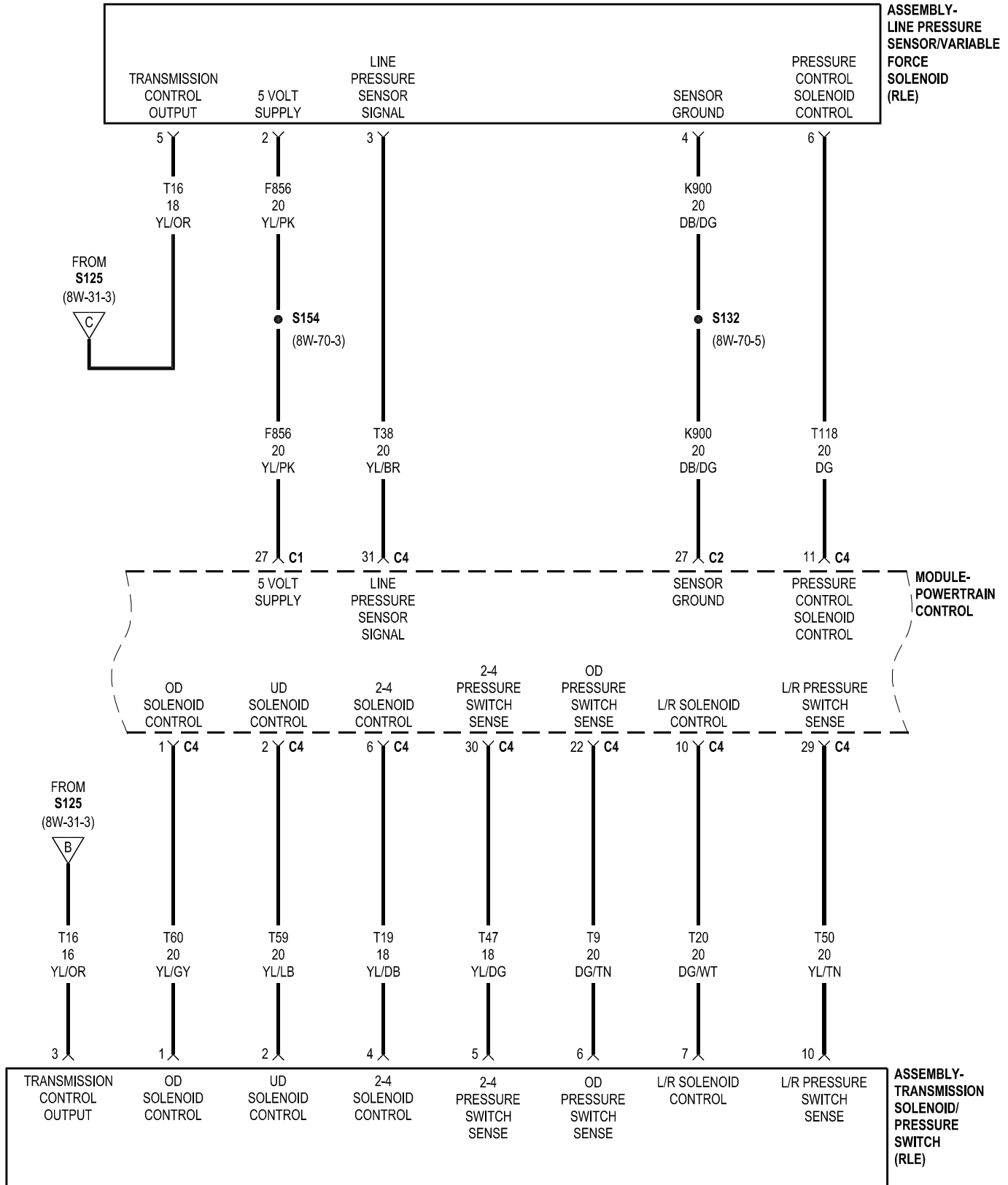


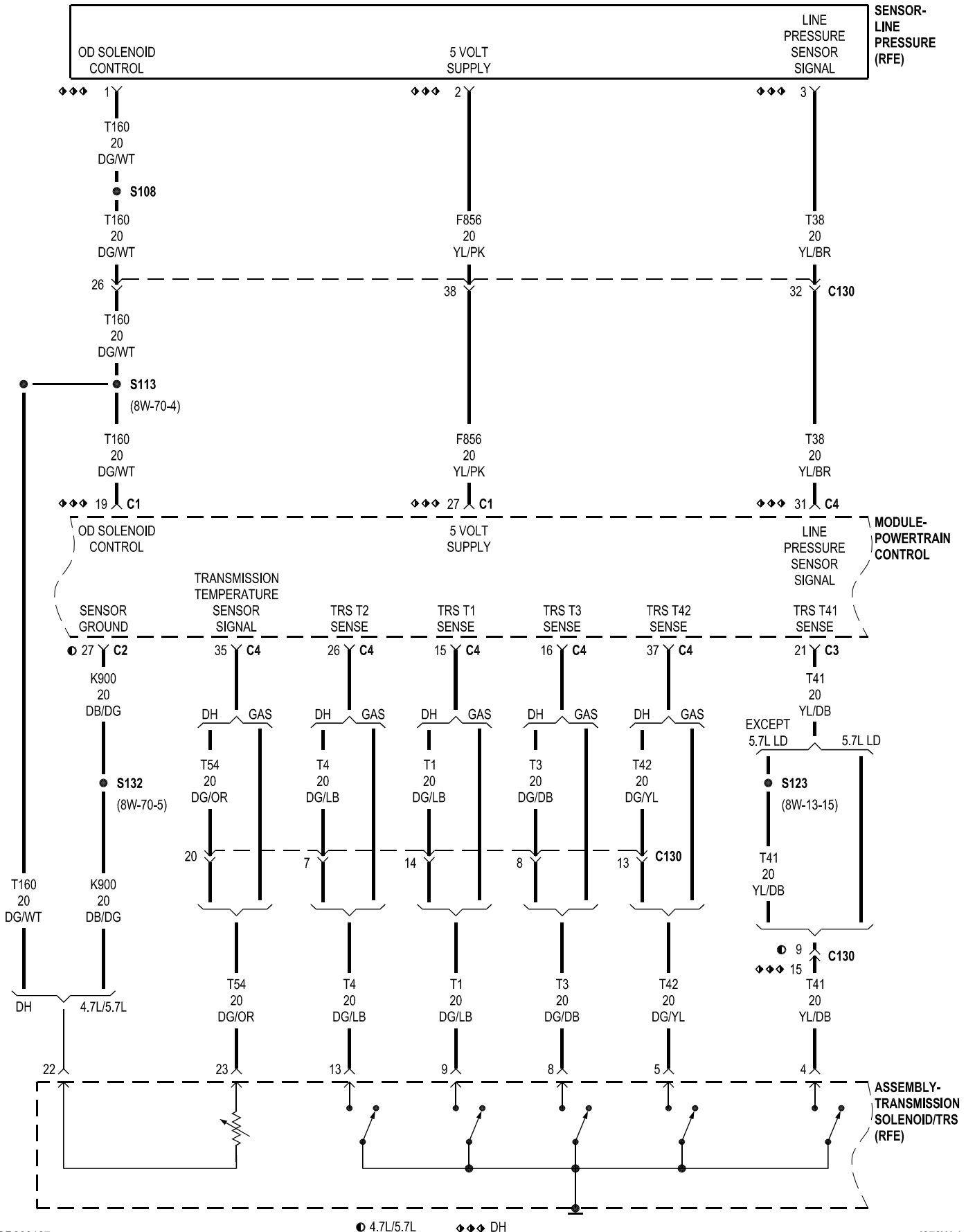


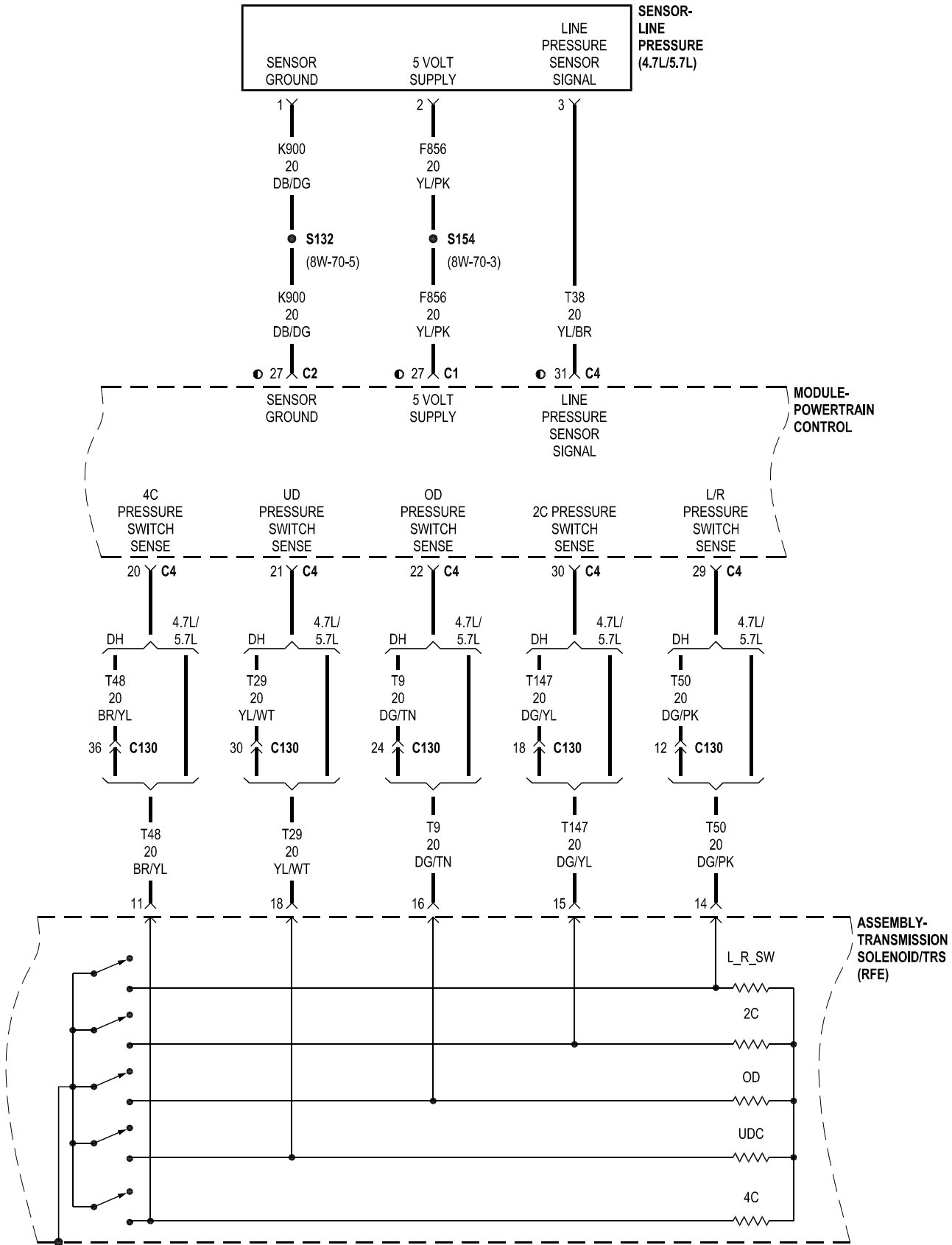


3.7L

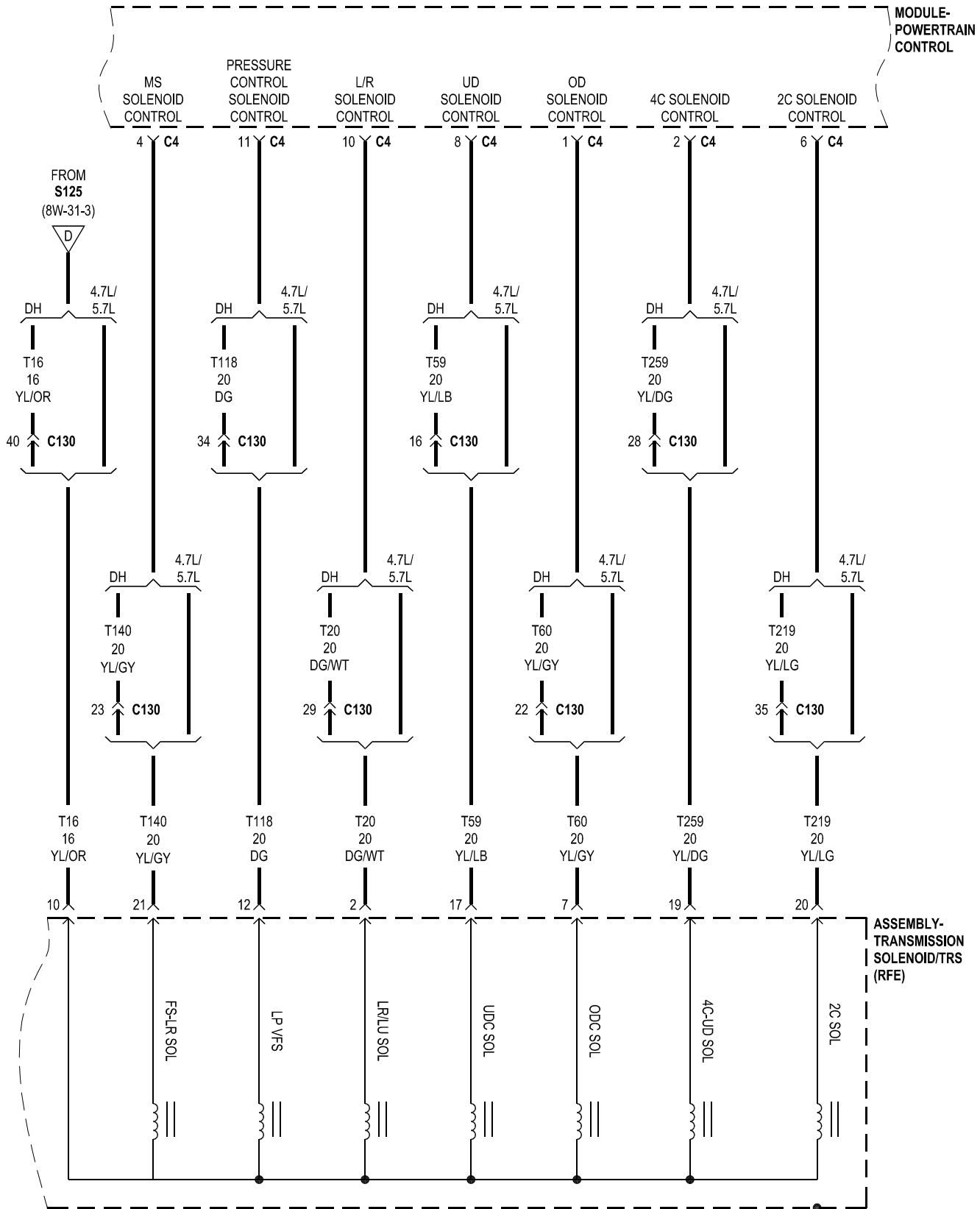


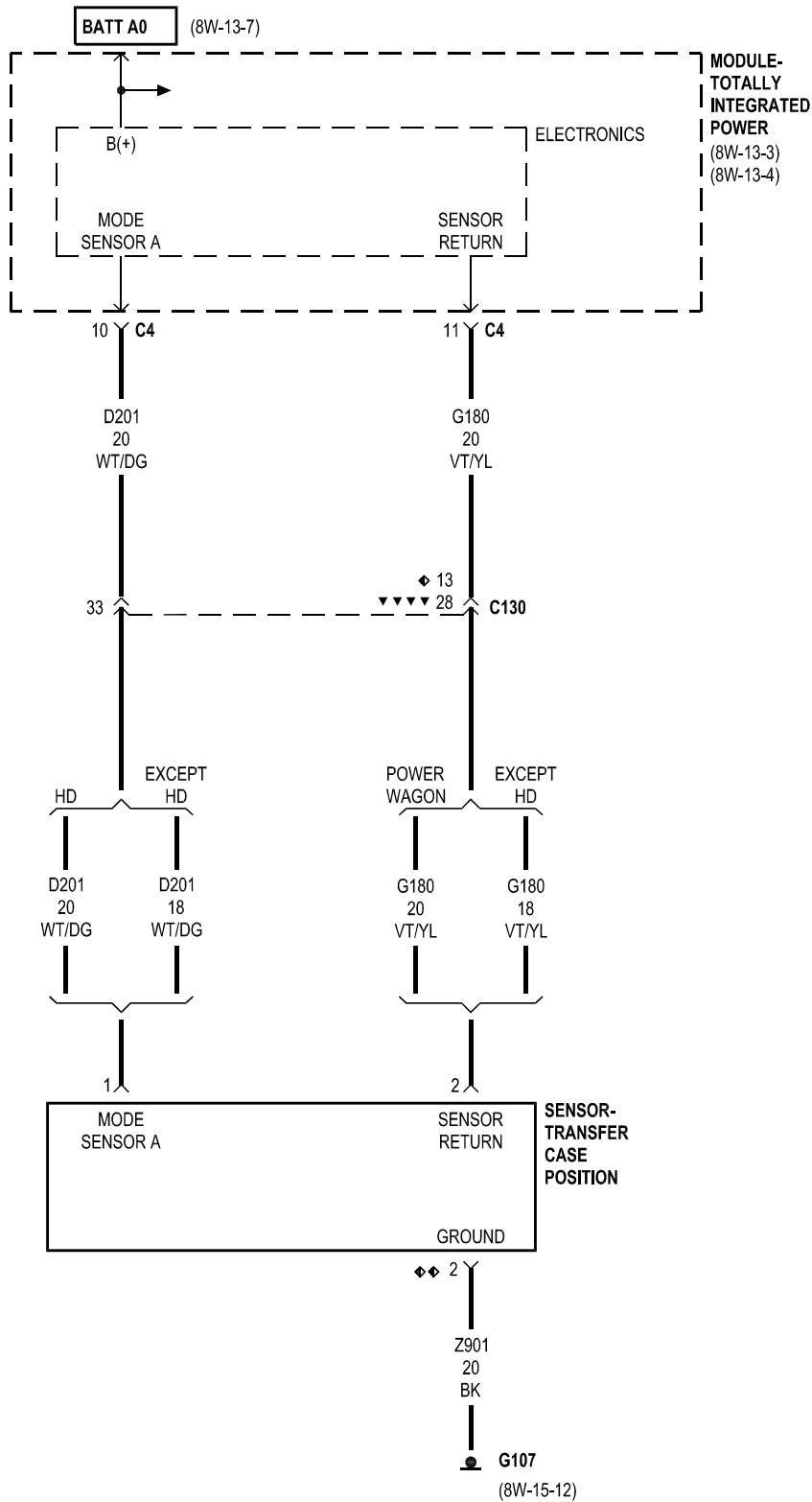




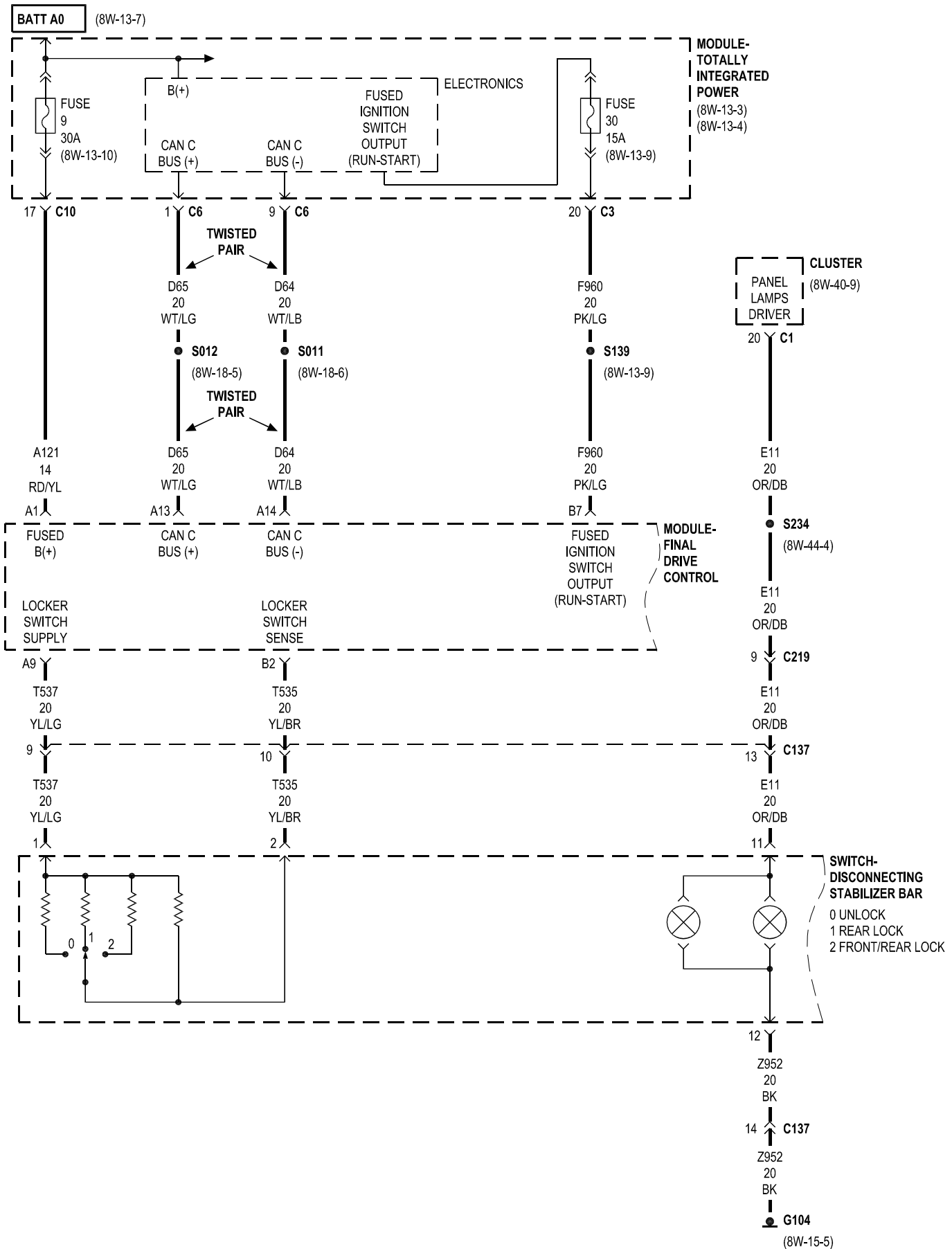


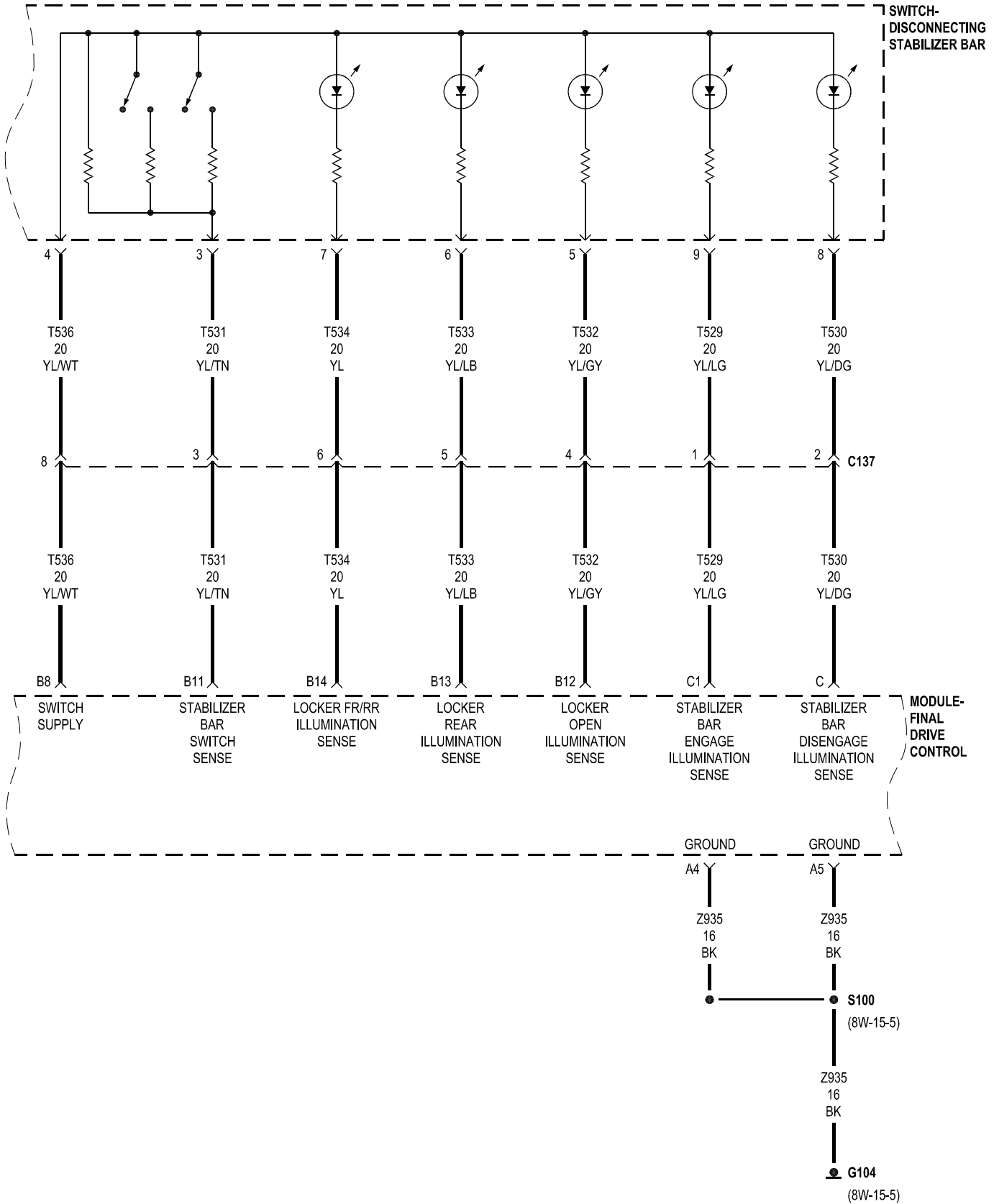




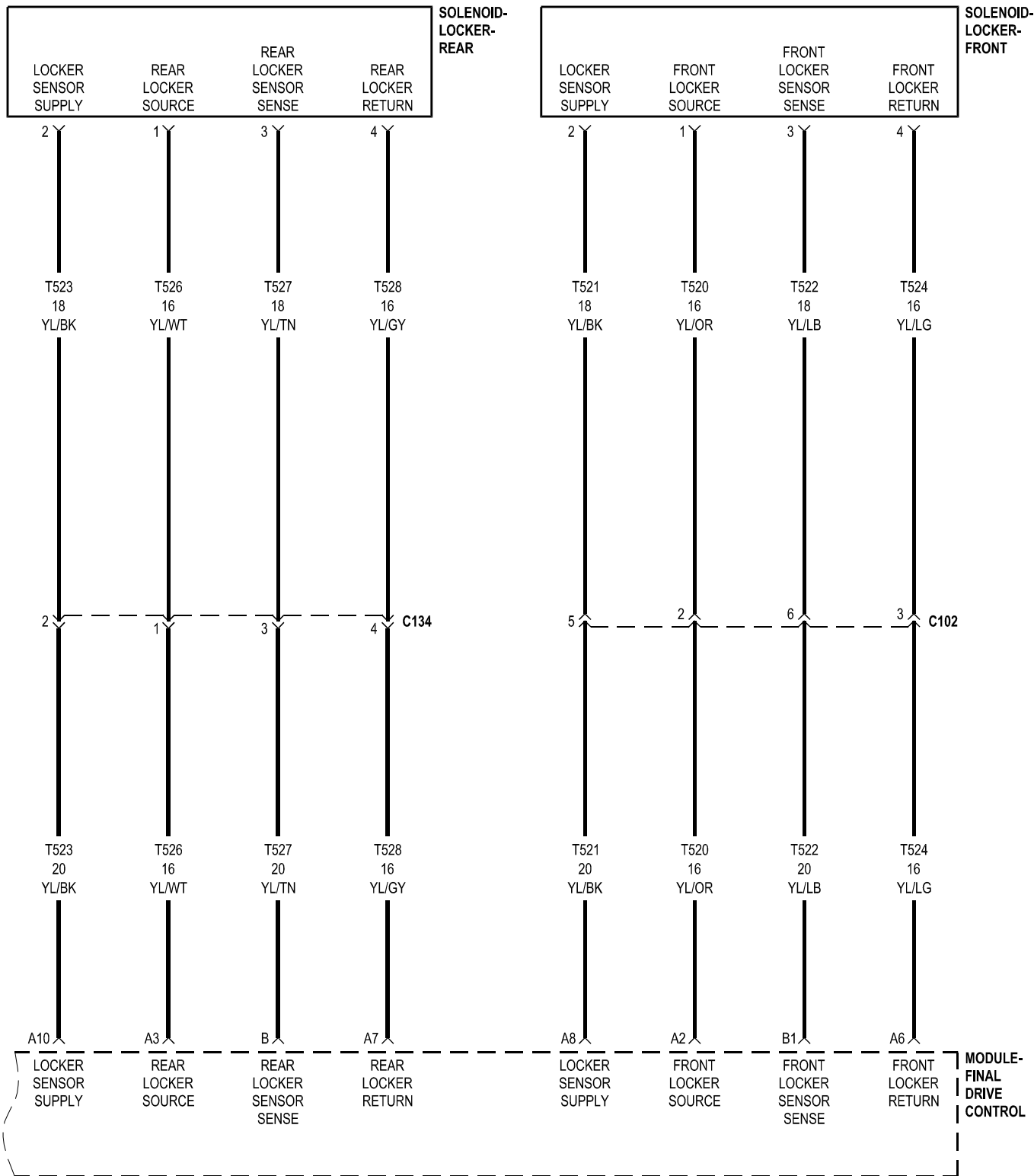


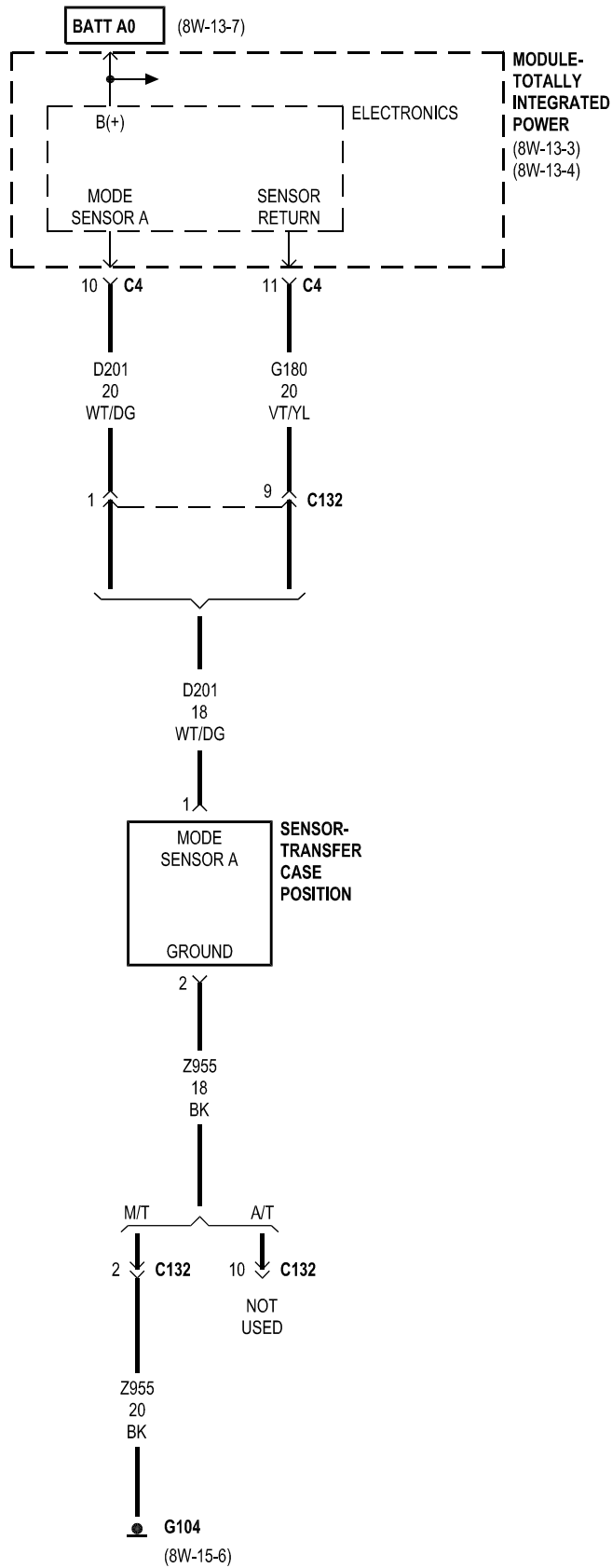
- ◆ EXCEPT HD
- ◆◆ HD EXCEPT POWER WAGON
- ▼▼▼▼ POWER WAGON

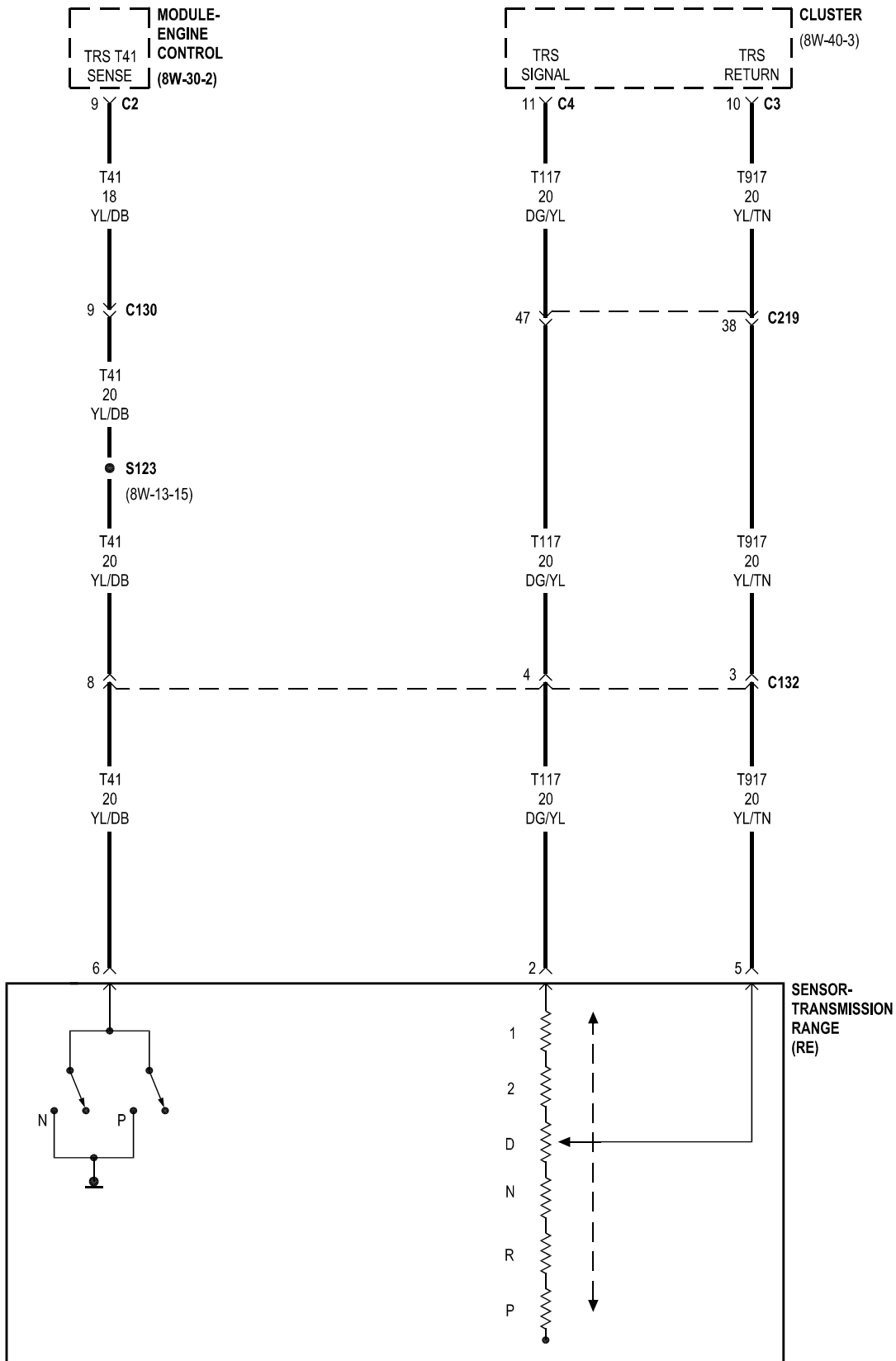


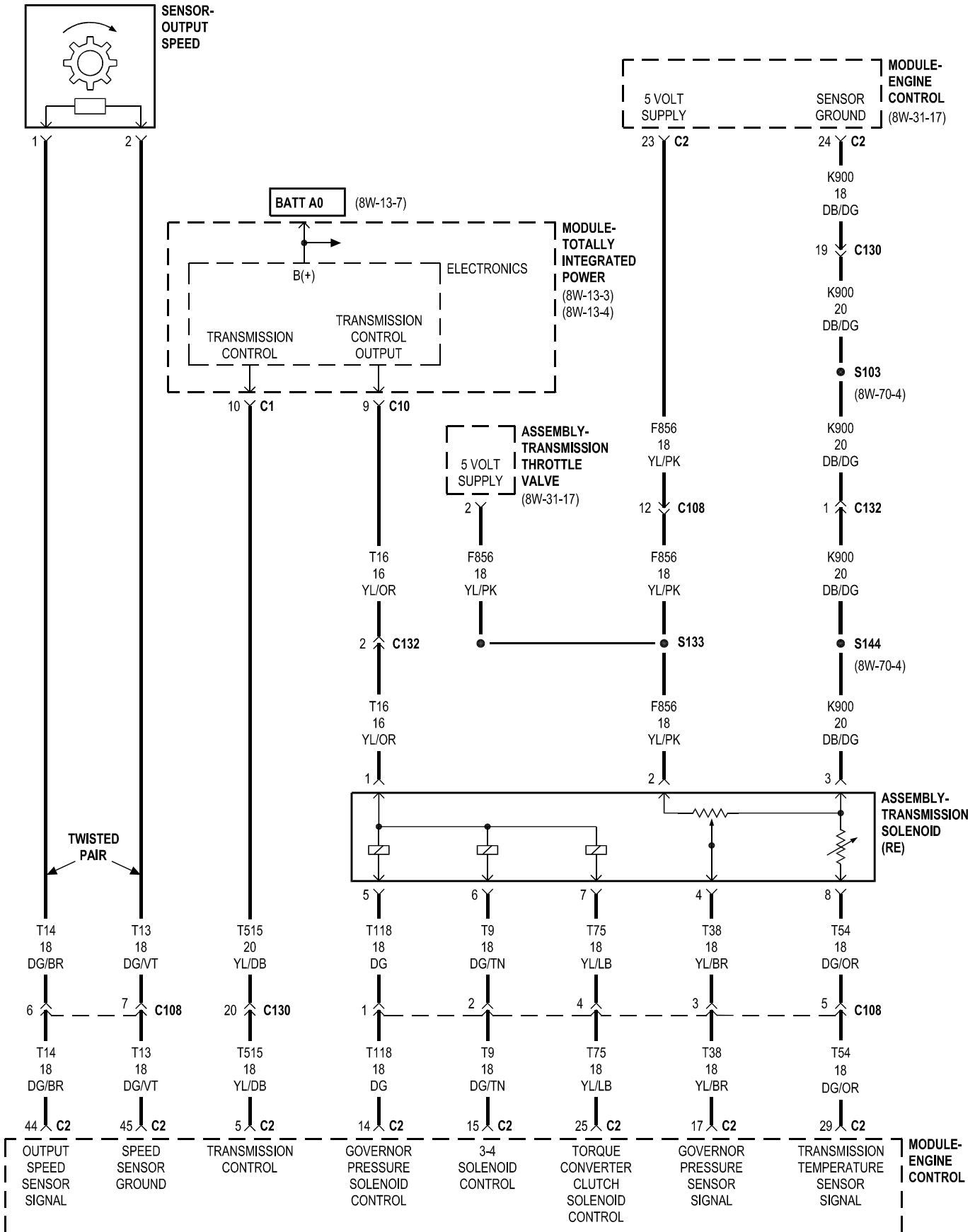


POWER WAGON



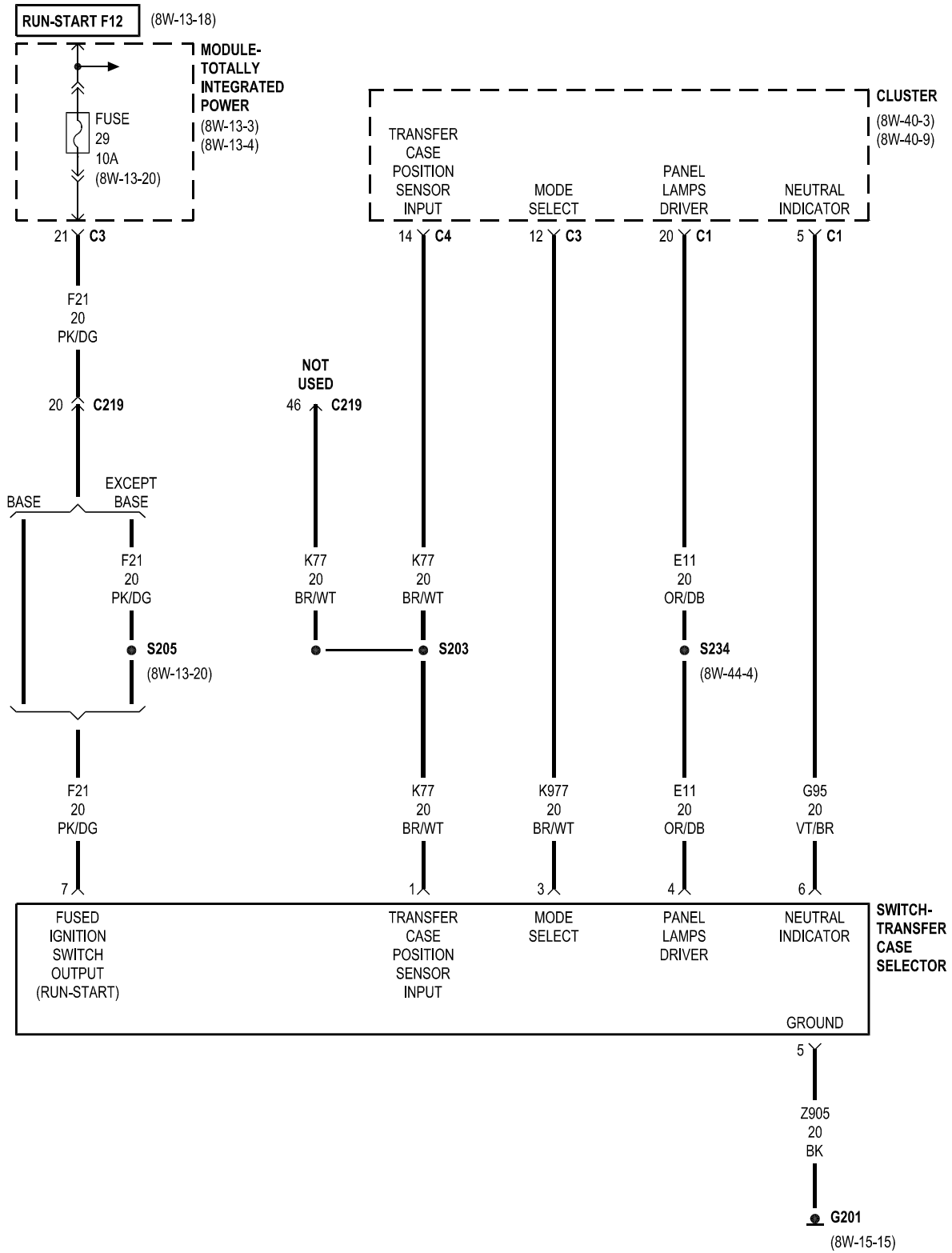




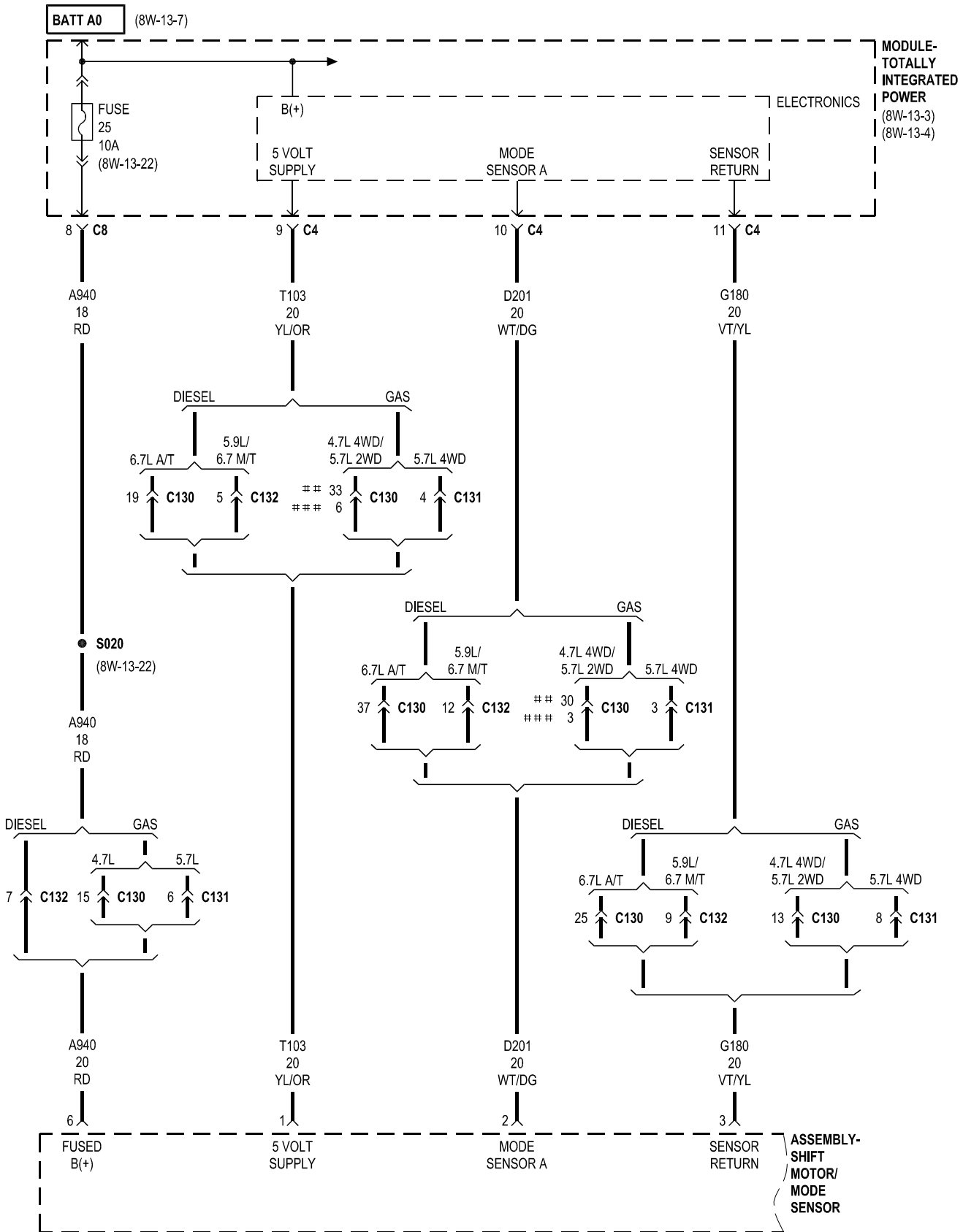








# 8W-31 TRANSMISSION CONTROL SYSTEM ELECTRONIC TRANSFER CASE



## 4.7L  
### 5.7L

