

GRAND CARAVAN C/V

FRONTAL RESTRAINT SYSTEM:

ADVANCED MULTI-STAGE DRIVER AND FRONT PASSENGER AIRBAG* SYSTEM

VEHICLE MODIFICATIONS

It is imperative that all front and side restraint system components remain in their original location and orientation. This includes all seat belt components (seat belt buckle switches, retractors adjustable turning loops and pretensioners), driver and passenger frontal airbags, left and right side SABIC's, and any occupant restraint sensing components (ORC module, pressure sensors, crush zone sensors and restraint systems wiring). Any modification, removal, or relocation of these components may be detrimental to the occupant restraint system and is prohibited.

Any vehicle modifications that may affect the deployment characteristics of the front or side airbag systems must be verified through vehicle calibration/impact testing. No modifications or equipment can obstruct the area between the steering wheel and the occupant. No modifications or equipment can obstruct the area on top of the passenger side of the instrument panel or between the passenger side of the instrument panel and the occupants.

Front Impact Restraint System: The front restraint system is comprised of the following components:

- Advanced Multi-stage Driver Airbag
- Advanced Multi-stage Front Passenger Airbag
- Driver Seat Belt Pretensioner
- Front Passenger Seat Belt Pretensioner
- Driver Seat Belt Buckle Switch
- Passenger Seat Belt Buckle Switch (if equipped)
- Driver Seat Belt Retractor
- Front Passenger Seat Belt Retractor
- Occupant Restraint Controller (ORC)
- Front Airbag System Wiring
- System Readiness Lamp

FRONT RESTRAINT SYSTEM WIRING

All front restraint system wiring must remain intact and may not be used for any other purpose. This also includes the driver and front passenger seat wiring. Any electrical connector that is yellow is part of the restraint system and should not be modified or used for other purposes.

OCCUPANT RESTRAINT SYSTEM VERIFICATION

After modification work is complete, the modifier must confirm the occupant restraint system readiness, as follows:

— Turn the ignition key on. The System Readiness lamp in the instrument cluster will illuminate for six to eight seconds, and then turn off. If the System Readiness Lamp fails to illuminate,

cycles on and off, or does not turn off, the modifier must have the condition corrected by a Chrysler Group LLC dealership before shipping.

OCCUPANT RESTRAINT CONTROLLER (ORC)

The Occupant Restraint Control Module is located under the instrument panel on the floor sheet metal and is surrounded by a plastic trim cover. Care must be taken not to disturb this controller for any reason. It is also important that no modifications are made in this area, as this may affect the performance of the front airbag system.

- DO NOT modify, remove, or relocate the ORC or wiring.
- DO NOT disturb the 3 screws used to mount the ORC to the vehicle.
- DO NOT route wiring or other components in the area surrounding the ORC.
- DO NOT place anything in contact with the ORC.

SEAT BELT RETRACTORS – ALL PASSENGER SEATING POSITIONS

The driver and front passenger seat belt retractors incorporate an advanced technology to limit peak force levels to an occupant torso in a severe event. Any modification, removal or relocation to the seat belt retractors is prohibited.

SEATBELT SYSTEMS

The seatbelt system is comprised of the following components:

- Driver Seat Belt Pretensioner
- Front Passenger Seat Belt Pretensioner
- Driver Seat Belt Buckle Switch
- Passenger Seat Belt Buckle Switch (if equipped)
- Driver Seat Belt Retractor
- Front Passenger Seat Belt Retractor
- Adjustable Turning Loops
- Seat Belt Wiring
- System Readiness Lamp

SEAT BELT WIRING

All seatbelt wiring must remain intact and may not be used for any other purpose. This also includes the driver and front passenger seat wiring. Any electrical connector that is yellow is part of the restraint system and should not be modified or used for other purposes.

KNEE BLOCKER/LOWER STEERING COLUMN COVER AND PASSENGER SIDE OF LOWER INSTRUMENT PANEL

The lower steering column cover area and glove box, also known as "knee blockers," are integral parts of the airbag restraint system. These areas include energy-absorbing features and must not be removed or modified in any manner, including the attachment of any auxiliary switches or parts.

*Certified to the Federal Regulations that allow less forceful front airbags. Always use seat belts. Children 12 and under should always be in a back seat correctly

2010 OCCUPANT RESTRAINT SYSTEM INFORMATION – GRAND CARAVAN C/V

using an infant or child restraint system, or a seatbelt that is right for their age and size.

STEERING COLUMN

In order for the steering column to perform properly, it must not be modified in any manner. This includes all components that are adjacent to or attached to the steering column, such as the steering wheel, the shrouds, and the upper and lower support brackets. Caution must also be exercised to ensure that nothing is placed in the axial path of the steering column, nor that any of the designed clearance gaps are disturbed.

FRONT BUMPER SYSTEM

If the front bumper and bumper mounting system are removed temporarily, the front bumper and bumper mounting system must be reinstalled in accordance with the instructions provided in the current minivan service manual. The front bumper and bumper mounting system cannot be replaced with parts other than OEM. The crash sensing of the front airbag systems is tuned, in part, to the front bumper. The original front bumper system (beam, brackets and fascia) must be retained. No modifications, deletions or additions to the bumper (i.e. bumper-mounted bicycle racks, etc) are permitted.

SIDE RESTRAINT SYSTEM:

VEHICLE MODIFICATIONS

It is imperative that all front and side restraint system components remain in their original location and orientation. This includes all seat belt components (seat belt buckle switches, retractors adjustable turning loops and pretensioners), driver and passenger frontal airbags, left and right side SABIC's, and any occupant restraint sensing components (ORC module, pressure sensors, crush zone sensors and restraint systems wiring). Any modification, removal, or relocation of these components may be detrimental to the occupant restraint system and is prohibited.

Any vehicle modifications that may affect the deployment characteristics of the front or side airbag systems must be verified through vehicle calibration/impact testing.

The side crash sensing in the Side Impact Restraint system is tuned to the factory body side configuration. Modification to the side of the vehicle including side lifts/hoists, running boards, swing out steps, or other accessories may be detrimental to the available supplemental side airbag system performance and is prohibited.

Any vehicle modifications that may affect the deployment characteristics of the front or side impact restraint systems should be verified through vehicle calibration/impact testing.

Any modifications on vehicles with SABIC's must not allow for dividers, cages, boxes or any rigid structure within a zone of: 10 inches of the headliner to the top of door, front to rear down to the beltline (bottom of door glass) Any objects permanently placed within this zone will compromise the SABIC during deployment.

Side Impact Restraint System

The front restraint system is comprised of the following components:

- SABIC – Side Air Bag Inflatable Curtain
- Driver Seat Belt Pretensioner
- Front Passenger Seat Belt Pretensioner
- Driver Seat Belt Buckle Switch
- Passenger Seat Belt Buckle Switch (if equipped)
- Driver Seat Belt Retractor
- Front Passenger Seat Belt Retractor
- Occupant Restraint Controller (ORC)
- Pressure Sensors – Front Doors
- Side Crush Zone Sensors – Sliding Door Sills
- Side Crush Zone Sensors – Rearward of C-Pillars
- System Readiness Lamp
- Side Airbag System Wiring

SIDE RESTRAINT SYSTEM WIRING

All side restraint system wiring must remain intact and may not be used for any other purpose. This also includes the driver and front passenger seat wiring. Any electrical connector that is yellow is part of the restraint system and should not be modified or used for other purposes.

SIDE AIR BAG INFLATABLE CURTAIN (SABIC)

The supplemental side air bag inflatable curtain (SABIC) are located behind the headliner above the doors following the full length of the roof side rail, including a SABIC tethers behind the A-pillars and D-pillars.

Zone of Operation: The full length of the headliner, from A-pillar to D-pillar, on each side of the vehicle. The SABIC covers from the Headliner/Garnish trim interface, down to the beltline. Obstructing the deployment zone of the SABIC is prohibited.

Vehicles equipped with the supplemental side airbag system can be identified by **ANY** of the following:

- “SRS AIRBAG” (Supplemental Restraint System) embossed on the face of the “B” & “C” pillar attachment plugs
- Warning label on the rear face of the front doors above the latch
- The third character in the VIN is “8”
- Monroney label

OCCUPANT RESTRAINT SYSTEM VERIFICATION

After modification work is complete, the modifier must confirm the occupant restraint system readiness, as follows:

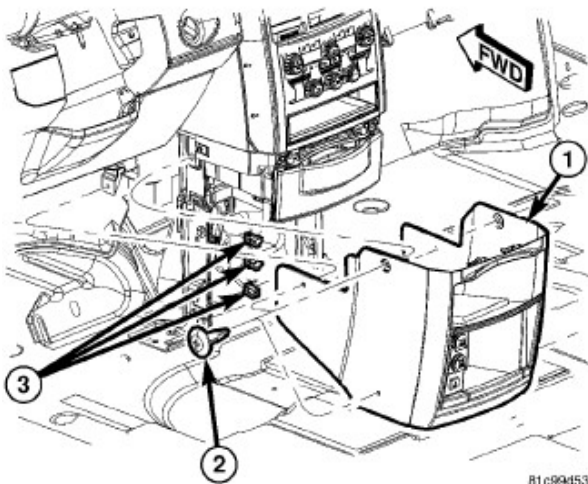
— Turn the ignition key on. The System Readiness lamp in the instrument cluster will illuminate for six to eight seconds, and then turn off. If the System Readiness Lamp fails to illuminate, cycles on and off, or does not turn off, the modifier must have the condition corrected by a Chrysler Group LLC dealership before shipping.

2010 OCCUPANT RESTRAINT SYSTEM INFORMATION — GRAND CARAVAN C/V

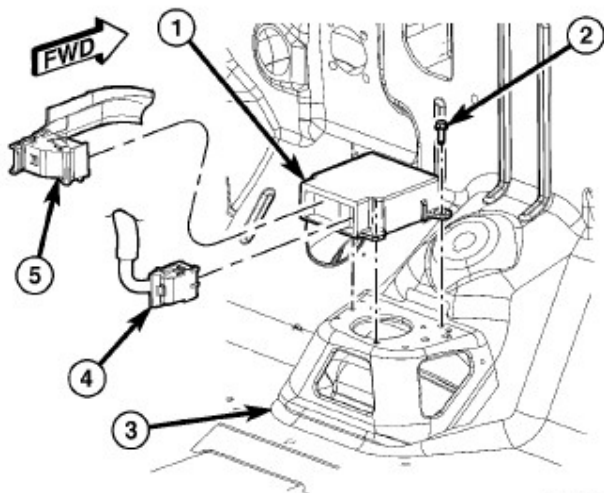
OCCUPANT RESTRAINT CONTROLLER (ORC)

The Occupant Restraint Control Module is located under the instrument panel on the floor sheet metal and is surrounded by a plastic trim cover. Care must be taken not to disturb this controller for any reason. It is also important that no modifications are made in this area, as this may affect the performance of the front airbag system.

- DO NOT modify, remove, or relocate the ORC or wiring.
- DO NOT disturb the 3 screws used to mount the ORC to the vehicle.
- DO NOT route wiring or other components in the area surrounding the ORC.
- DO NOT place anything in contact with the ORC



81c99d53



81c9da47

ACTIVE HEAD RESTRAINT HEADRESTS (If equipped)

- DO NOT modify or remove Active Head Restraint headrests or wiring.