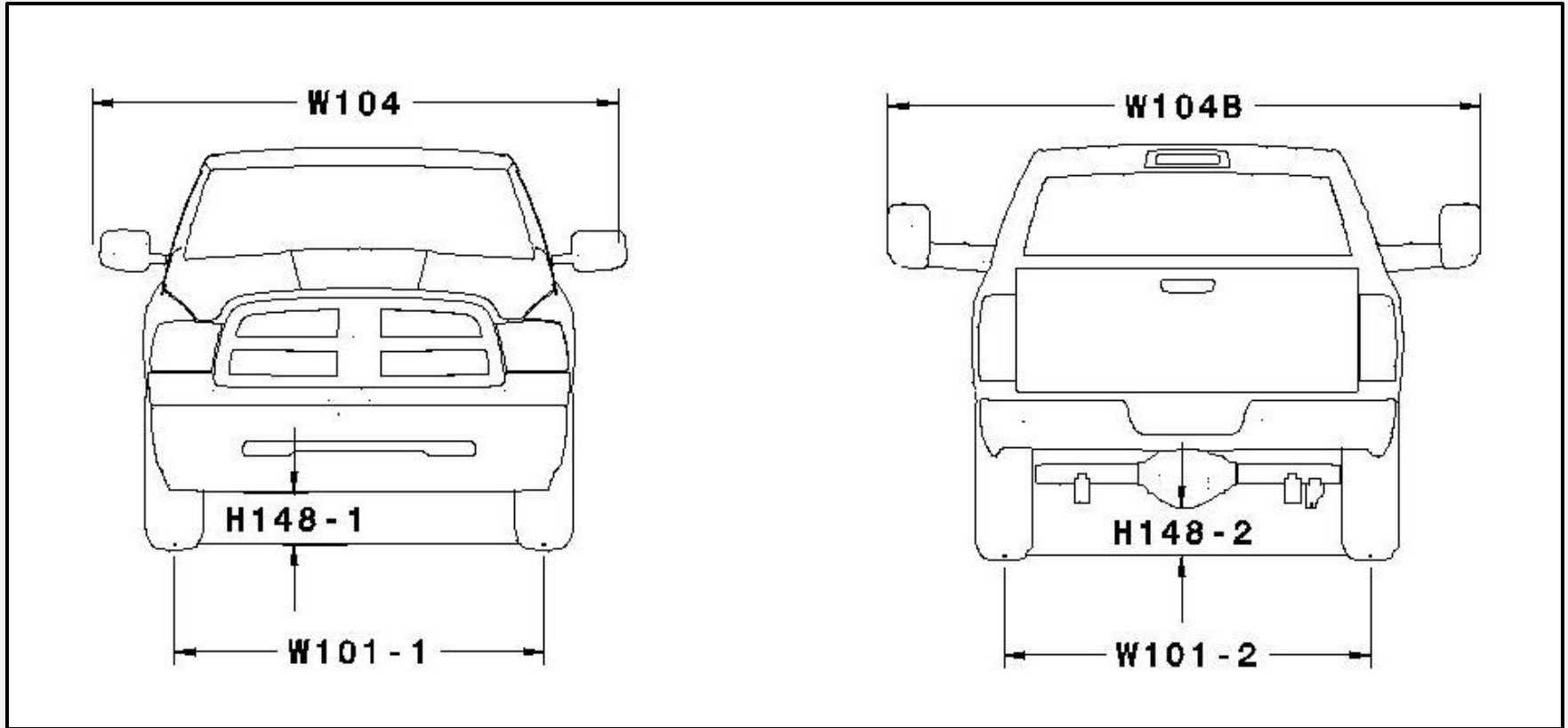


# 2013 QUAD CAB 1500 140.5"WB 4x4 AIR SUSPENSION OUTDOORSMAN

POSITION THE MOUSE OVER THE CODE FOR INSTANT DIMENSION

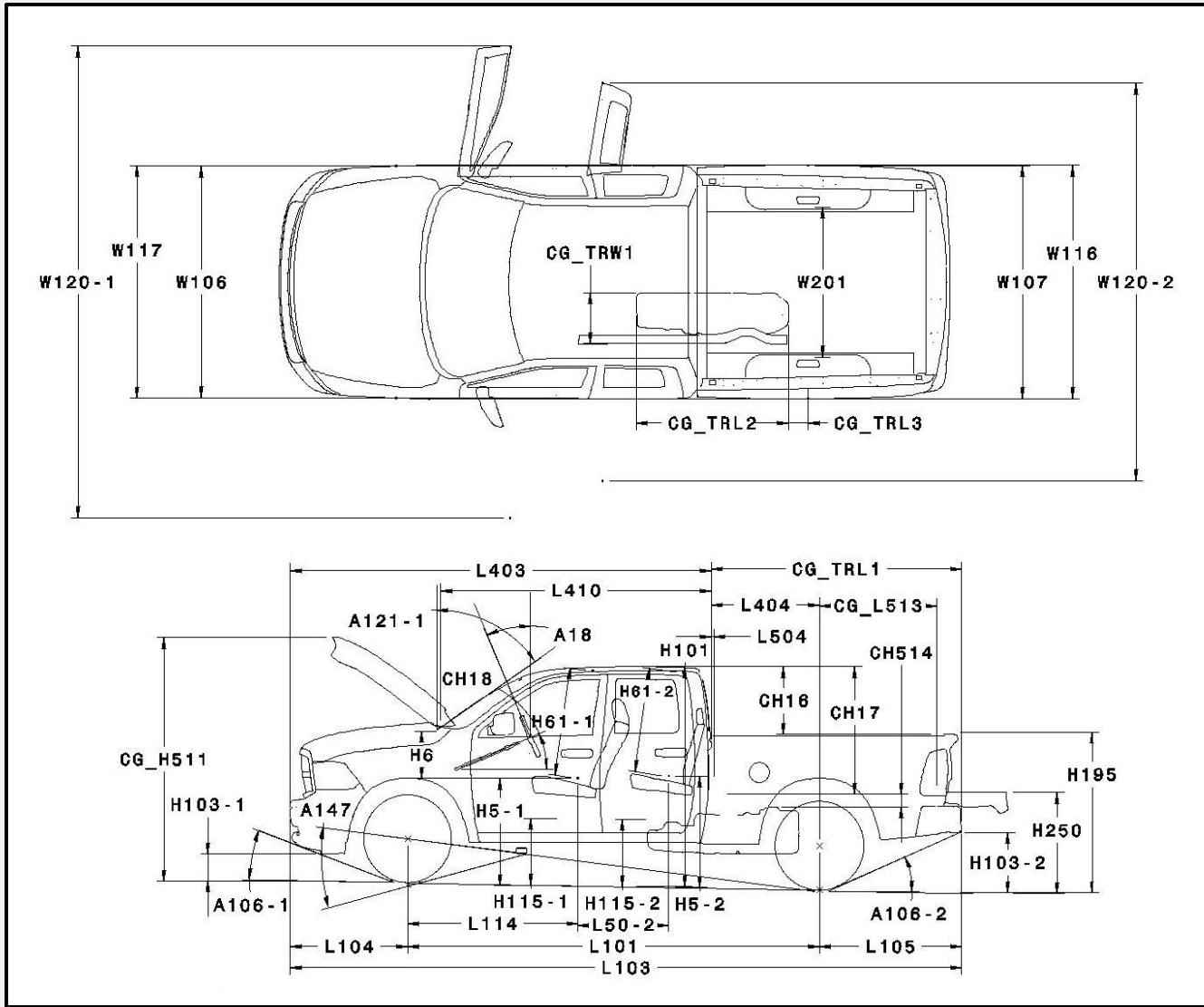


➔ PLAN & SIDE VIEW

➔ CHARTS

# 2013 QUAD CAB 1500 140.5"WB 4x4 AIR SUSPENSION OUTDOORSMAN

POSITION THE MOUSE OVER THE CODE FOR INSTANT DIMENSION



➤ FRONT & REAR VIEW

➤ CHARTS

## 2013 QUAD CAB 1500 140.5"WB 4x4 AIR SUSPENSION OUTDOORSMAN

Code	RAM QUAD CAB 6.5 BOX 140.5WB	Metric	English
CG_TRL1	Rear Bumper to Back of Cab	2166.6 mm	85.3 in
CG_TRL2	Fuel Tank Length	1317.5 mm	51.9 in
L50-2	SgRP Couple Distance, Front to Second	787.4 mm	31.0 in
L103	Vehicle Length	5816.5 mm	229.0 in
L403	Front Bumper to Back of Cab (BBC)	3649.9 mm	143.7 in
L410	Cab Length	2346.4 mm	92.4 in
L504	Cab to Pickup Body	21.0 mm	0.8 in
Code	RAM QUAD CAB 6.5 BOX 140.5WB	Metric	English
A121-1	Window Slope Angle-Windshield	55.1 deg	55.1 deg
CG_A18	Steering Wheel Angle	22.9 deg	22.9 deg
CH16	Top of Box to Cab Roof	585.5 mm	23.1 in
CH17	Box Floor to Cab Roof	1106.7 mm	43.6 in
CH18	Steering Column Angle	22.9 deg	22.9 deg
CH514	Box Floor to Top of Fuel Tank	107.5 mm	4.2 in
H6	SgRP - Front to Windshield Lower DLO	405.8 mm	16.0 in
H61-1	Effective Head Room - Front	1040.5 mm	41.0 in
H61-2	Effective Head Room - Second	1007.2 mm	39.7 in
Code	RAM QUAD CAB 6.5 BOX 140.5WB	Metric	English
CG_TRW1	Outside Rail to Fuel Tank(inside)	439.0 mm	17.3 in
W104	Vehicle Width-Mirrors(std)	2463.3 mm	97.0 in
W104B	Vehicle Width-Mirrors(trailer)	2776.1 mm	109.3 in
W106	Fender Width - Front	2003.6 mm	78.9 in
W107	Fender Width - Rear	2013.8 mm	79.3 in
W116	Body Width-maximum	2017.4 mm	79.4 in
W117	Body Width At SgRP - Front	2008.9 mm	79.1 in
W120-1	Vehicle Width, Doors Open - Front	4076.6 mm	160.5 in
W120-2	Vehicle Width, Doors Open - Rear Row	3436.7 mm	135.3 in
W201	Cargo Width-Wheelhouse	1295.4 mm	51.0 in

➔ TIRE CHART

➔ FRONT & REAR VIEW

➔ PLAN & SIDE VIEW



# 2013 QUAD CAB 1500 140.5"WB 4x4 AIR SUSPENSION OUTDOORSMAN

4x4 265/70R17 Outdoorsman									
Code	Description	Entry/Exit		Normal Ride Height		Off - Road 1		Off - Road 2	
		Metric	English	Metric	English	Metric	English	Metric	English
A106-1	Angle of Approach	15.2 deg	15.2 deg	19.7 deg	19.7 deg	21.8 deg	21.8 deg	22.9 deg	22.9 deg
A106-2	Angle of Departure	18.7 deg	18.7 deg	20.6 deg	20.6 deg	21.4 deg	21.4 deg	22.9 deg	22.9 deg
A147	Ramp Breakover Angle	12.7 deg	12.7 deg	15.9 deg	15.9 deg	17.6 deg	17.6 deg	19.2 deg	19.2 deg
CG_H511	Bottom of Open Hood to Ground	2067.8 mm	81.4 in	2122.6 mm	83.6 in	2154.0 mm	84.8 in	2173.6 mm	85.6 in
CG_L513	Rear Axle to Inside Box at Rear	1014.0 mm	39.9 in	1014.0 mm	39.9 in	1014.0 mm	39.9 in	1014.0 mm	39.9 in
CG_TRL3	Rear Wheel Center line to Fuel Tank	170.4 mm	6.7 in	170.4 mm	6.7 in	170.4 mm	6.7 in	170.4 mm	6.7 in
CG_TT18	Turn Circle Diameter (feet/meters)*	14.0 m	45.8 ft	14.0 m	45.8 ft	14.0 m	45.8 ft	14.0 m	45.8 ft
H5-1	SgRP to Ground - Front	887.2 mm	34.9 in	936.1 mm	36.9 in	962.7 mm	37.9 in	987.1 mm	38.9 in
H5-2	SgRP to Ground - Second	922.4 mm	36.3 in	968.6 mm	38.1 in	993.2 mm	39.1 in	1019.6 mm	40.1 in
H101	Vehicle Height(curbLoad)	1909.0 mm	75.2 in	1962.0 mm	77.2 in	1986.6 mm	78.2 in	1913.0 mm	79.2 in
H103-1	Fascia(Bumper) to Ground - Front	188.4 mm	7.4 in	243.4 mm	9.6 in	275.0 mm	10.8 in	294.4 mm	11.6 in
H103-2	Fascia(Bumper) to Ground - Rear	395.3 mm	15.6 in	434.9 mm	17.1 in	454.1 mm	17.9 in	485.9 mm	19.1 in
H108-1	Static Load Radius - Front Tire *	377.2 mm	14.9 in	377.2 mm	14.9 in	377.2 mm	14.9 in	377.2 mm	14.9 in
H108-2	Static Load Radius - Rear Tire *	383.3 mm	15.1 in	383.3 mm	15.1 in	383.3 mm	15.1 in	383.3 mm	15.1 in
H115-1	Step Height - Front	535.9 mm	21.1 in	585.2 mm	23.0 in	612.2 mm	24.1 in	636.2 mm	25.0 in
H115-2	Step Height - Second	542.7 mm	21.4 in	589.9 mm	23.2 in	615.3 mm	24.2 in	640.9 mm	25.2 in
H148-1	Suspension or Axel to Ground - Front	232.3 mm	9.1 in	232.3 mm	9.1 in	232.3 mm	9.1 in	232.3 mm	9.1 in
H148-2	Suspension or Axel to Ground - Rear	220.0 mm	8.7 in	220.0 mm	8.7 in	220.0 mm	8.7 in	220.0 mm	8.7 in
H195	Liftover Height	1345.2 mm	53.0 in	1384.9 mm	54.5 in	1404.3 mm	55.3 in	1435.9 mm	56.5 in
H250	Open Tailgate to Ground	832.8 mm	32.8 in	871.2 mm	34.3 in	889.6 mm	35.0 in	922.2 mm	36.3 in
L101	Wheelbase	3569.4 mm	140.5 in	3569.4 mm	140.5 in	3569.4 mm	140.5 in	3569.4 mm	140.5 in
L104	Overhang - Front	1016.8 mm	40.0 in	1016.8 mm	40.0 in	1016.8 mm	40.0 in	1016.8 mm	40.0 in
L105	Overhang - Rear	1230.2 mm	48.4 in	1230.2 mm	48.4 in	1230.2 mm	48.4 in	1230.2 mm	48.4 in
L114	Front Wheel Centerline toSgRP - Front	1475.0 mm	58.1 in	1475.0 mm	58.1 in	1475.0 mm	58.1 in	1475.0 mm	58.1 in
L404	Cab to Rear Axle (CA)	936.3 mm	36.9 in	936.3 mm	36.9 in	936.3 mm	36.9 in	936.3 mm	36.9 in
W101-1	Tread Width - Front Tires	1732.3 mm	68.2 in	1732.3 mm	68.2 in	1732.3 mm	68.2 in	1743.2 mm	68.6 in
W101-2	Tread Width - Rear Tires	1714.7 mm	67.5 in	1714.7 mm	67.5 in	1714.7 mm	67.5 in	1714.7 mm	67.5 in

## 4x4 275/60R20 Outdoorsman

4x4 275/60R20 Outdoorsman									
Code	Description	Entry / Exit		Normal Ride Height		Off - Road 1		Off - Road 2	
		Metric	English	Metric	English	Metric	English	Metric	English
A106-1	Angle of Approach	16.6 deg	16.6 deg	20.9 deg	20.9 deg	22.9 deg	22.9 deg	24.0 deg	24.0 deg
A106-2	Angle of Departure	19.4 deg	19.4 deg	21.3 deg	21.3 deg	22.2 deg	22.2 deg	23.6 deg	23.6 deg
A147	Ramp Breakover Angle	13.8 deg	13.8 deg	17.0 deg	17.0 deg	18.7 deg	18.7 deg	20.3 deg	20.3 deg
CG_H511	Bottom of Open Hood to Ground	2084.2 mm	82.1 in	2139.0 mm	84.2 in	2170.4 mm	85.4 in	2190.0 mm	86.2 in
CG_L513	Rear Axle to Inside Box at Rear	1014.0 mm	39.9 in	1014.0 mm	39.9 in	1014.0 mm	39.9 in	1014.0 mm	39.9 in
CG_TRL3	Rear Wheel Center line to Fuel Tank	170.4 mm	6.7 in	170.4 mm	6.7 in	170.4 mm	6.7 in	170.4 mm	6.7 in
CG_TT18	Turn Circle Diameter (feet/meters)*	14.0 m	45.8 ft	14.0 m	45.8 ft	14.0 m	45.8 ft	14.0 m	45.8 ft
H5-1	SgRP to Ground - Front	902.9 mm	35.5 in	951.8 mm	37.5 in	978.4 mm	38.5 in	1002.8 mm	39.5 in
H5-2	SgRP to Ground - Second	937.8 mm	36.9 in	984.0 mm	38.7 in	1008.6 mm	39.7 in	1035.0 mm	40.7 in
H101	Vehicle Height(curbLoad)	1924.4 mm	75.8 in	1977.4 mm	77.8 in	2002.0 mm	78.8 in	2028.4 mm	79.9 in
H103-1	Fascia(Bumper) to Ground - Front	204.8 mm	8.1 in	259.8 mm	10.2 in	291.5 mm	11.5 in	310.8 mm	12.2 in
H103-2	Fascia(Bumper) to Ground - Rear	409.9 mm	16.1 in	449.4 mm	17.7 in	468.7 mm	18.5 in	500.4 mm	19.7 in
H108-1	Static Load Radius - Front Tire *	393.4 mm	15.5 in	393.4 mm	15.5 in	393.4 mm	15.5 in	393.4 mm	15.5 in
H108-2	Static Load Radius - Rear Tire *	398.3 mm	15.7 in	398.3 mm	15.7 in	398.3 mm	15.7 in	398.3 mm	15.7 in
H115-1	Step Height - Front	551.6 mm	21.7 in	600.9 mm	23.7 in	628.0 mm	24.7 in	651.9 mm	25.7 in
H115-2	Step Height - Second	558.2 mm	22.0 in	605.4 mm	23.8 in	630.8 mm	24.8 in	656.4 mm	25.8 in
H148-1	Suspension or Axel to Ground - Front	248.5 mm	9.8 in	248.5 mm	9.8 in	248.5 mm	9.8 in	248.5 mm	9.8 in
H148-2	Suspension or Axel to Ground - Rear	235.0 mm	9.3 in	235.0 mm	9.3 in	235.0 mm	9.3 in	235.0 mm	9.3 in
H195	Liftover Height	1359.8 mm	53.5 in	1399.5 mm	55.1 in	1418.9 mm	55.9 in	1450.5 mm	57.1 in
H250	Open Tailgate to Ground	847.2 mm	33.4 in	885.7 mm	34.9 in	904.1 mm	35.6 in	936.7 mm	36.9 in
L101	Wheelbase	3569.4 mm	140.5 in	3569.4 mm	140.5 in	3569.4 mm	140.5 in	3569.4 mm	140.5 in
L104	Overhang - Front	1016.8 mm	40.0 in	1016.8 mm	40.0 in	1016.8 mm	40.0 in	1016.8 mm	40.0 in
L105	Overhang - Rear	1230.2 mm	48.4 in	1230.2 mm	48.4 in	1230.2 mm	48.4 in	1230.2 mm	48.4 in
L114	Front Wheel Centerline toSgRP - Front	1475.0 mm	58.1 in	1475.0 mm	58.1 in	1475.0 mm	58.1 in	1475.0 mm	58.1 in
L404	Cab to Rear Axle (CA)	936.3 mm	36.9 in	936.3 mm	36.9 in	936.3 mm	36.9 in	936.3 mm	36.9 in
W101-1	Tread Width - Front Tires	1743.2 mm	68.6 in	1743.2 mm	68.6 in	1743.2 mm	68.6 in	1743.2 mm	68.6 in
W101-2	Tread Width - Rear Tires	1727.4 mm	68.0 in	1727.4 mm	68.0 in	1727.4 mm	68.0 in	1727.4 mm	68.0 in

