

INCOMPLETE VEHICLE DOCUMENT

NOTE:

YOU CAN PRODUCE YOUR OWN LEGITIMATE
INCOMPLETE VEHICLE DOCUMENT
BY PRINTING THIS DOCUMENT AND THEN
TAKING A PHOTO OF THE CERT. LABEL
ON THE DRIVERS DOOR OPENING.

INCOMPLETE VEHICLE DOCUMENT 2015 MODEL YEAR

NOTE:

YOU CAN PRODUCE YOUR OWN LEGITIMATE
INCOMPLETE VEHICLE DOCUMENT
BY PRINTING THIS DOCUMENT AND THEN
TAKING A PHOTO OF THE CERT. LABEL
ON THE DRIVERS DOOR OPENING.

INCOMPLETE VEHICLE DOCUMENT 2015 MODEL YEAR**68264603AA CHRYSLER
GROUP LLC**800 CHRYSLER DRIVE
AUBURN HILLS, MI 48326-2757**CAUTION – DO NOT REMOVE THIS DOCUMENT FROM THE VEHICLE*****INCOMPLETE VEHICLE DOCUMENT***
2015 MODEL YEAR PICKUPS AND CHASSIS CABS**THIS DOCUMENT APPLIES TO RAM PICKUPS****NOT EQUIPPED WITH OUTSIDE REARVIEW MIRRORS, AS WELL AS
ALL RAM MODELS DJ/D2 (2500/3500 4X2 & 4X4),
AND DD/DP (3500/4500/5500 4X2 & 4X4 CHASSIS CABS).**

The purpose of this document is to provide information and direction to subsequent manufacturers who must certify compliance of vehicles manufactured in two or more stages with the United States Federal Motor Vehicle Safety Standards and the Canada Motor Vehicle Safety Regulations, and other regulations applicable to the USA and/or Canada.

This document is provided in accordance with 49 CFR Part 568 - Vehicles Manufactured in Two or More Stages (National Highway Traffic Safety Administration), and section 6, Regulations Respecting Safety for Motor Vehicles and Motor Vehicle Components under Motor Vehicle Safety Act (Transport Canada).

**AFFIX FEDERAL OR CANADA
INCOMPLETE VEHICLE
CERTIFICATION LABEL HERE**

Upon completion of this vehicle, the final-stage upfitter, alterer or manufacturer must place a completed Vehicle Tire and Loading Placard on driver's side B-Pillar of the vehicle, as required by CMVSR/FMVSS 110 and/or 120. The sticker below shows the information you will need for the Vehicle Placard.

AFFIX TIRE LOADING LABEL HERE

The following safety standards information is valid only if this vehicle is completed as one of the vehicle types shown on the United States or Canadian certification label on the previous page.

Pickups not equipped with outside rearview mirrors.

Pickup trucks not equipped with outside rearview mirrors will conform to the following Federal Motor Vehicle Safety Standards or Canada Motor Vehicle Safety Regulations if no alterations are made to the vehicle other than the installation of conventional, door-mounted, outside rearview mirrors:

101^(†), 102^(†), 103^(†), 104^(†), 105^(†), 106^(†), 108^(†), 108.1^(†) (Canada), 109^(†), 110^(†), 113^(†), 114^(†), 115^(†) (Canada), 116^(†), 118^(†), 119^(†), 120^(†), 124^(†), 125^(†), 126^(†&), 135^(†&), 138^(†&), 139^(†&), 201^(†), 202^(†), 202a^(†), 203^(†) (Canada), 204^(†), 205^(†), 206^(†), 207^(†), 208^(†), 209^(†), 210^(†), 210.1^(†) (Canada), 210.2^(†) (Canada), 212^(†), 213^(†&), 214^(†), 216^(†), 219^(†), 225^(†) (USA), 301^(†), 301.1*^(†) (Canada), 301.2*^(†) (Canada), 302^(†), 303*^(†) (USA), 304^(†) (USA), 1106^(†) (Canada), 40 CFR Part 205^(†), 49 CFR Part 565^(†), and ICES-002^(†) (Canada).

Conformity to FMVSS/CMVSR 111 Rearview mirrors is not determined by the design of this incomplete vehicle and no representation as to conformity is made.

No representation as to conformity to any FMVSS or CMVSR beyond the information specifically contained within this document is made.

Ram Models DJ/D2 (2500/3500 4X2 & 4X4), and DD/DP (3500/4500/5500 4X2 & 4X4 Chassis Cabs).

**FMVSS 101
CMVSR101[†]** If this vehicle is equipped with a driver's seat, when completed it will conform with FMVSS 101 - Controls and Displays if no alterations are made to the location, identification or illumination of the controls covered by this standard, including the driver's seating position. Subsequent manufacturers must assure for any controls which are added and covered by this standard.

**FMVSS 102
CMVSR 102[†]** This vehicle, when completed, will conform to FMVSS 102 - Transmission Shift Lever Sequence, Starter Interlock, and Transmission Braking Effect if no alterations are made to the transmission, shift control, accelerator control, or starter interlock system on automatic transmissions, provided that the shift lever positions are permanently displayed in view of the driver.

**FMVSS 103
CMVSR 103[†]** This vehicle, when completed, will conform to FMVSS 103 - Windshield Defrosting and Defogging Systems if no alterations are made to the defroster system, including vehicle heater assembly and controls.

**FMVSS 104
CMVSR 104[†]** This vehicle, when completed, will conform to FMVSS 104 - Windshield Wiping/Washing Systems if no alterations are made to windshield wiping or washing systems.

**FMVSS 105
CMVSR 105[†]** This vehicle, when completed, will comply with FMVSS 105 - Hydraulic Brake Systems if:

- No alterations are made to the service and parking brake systems
- Rear axle must carry at least 37 percent of the vehicle weight when the front seat is ballasted as follows:

GVWR	Front Seat Ballast
<10,000 lb (4,536 kg)	400 lb
>10,000 lb (4,536 kg)	500 lb
- The GVWR and GAWR are not exceeded
- For the **Ram Pickup and 3500 Chassis Cabs**, the height above frame rail datum line of the combined centers of gravity of components added by the subsequent manufacturer does not exceed Ymax, where ...

For the Ram Pickup and 3500 Chassis Cab

$$Y_{max} = B - 1.6(X)$$

NOTE: If the combined CG of the added components is behind the rear axle, then $Y_{max} = B + 1.6x$

X = horizontal distance in inches from the centerline of the rear axle to the combined center of gravity of all the added items.

- For **4500 and 5500 Chassis Cabs**, The height above

the frame datum, top of frame rail (at rear) to ground line of the combined centers of gravity of the items added by the subsequent manufacturer must not exceed the Ymax where ...

For the 4500 and 5500 Chassis Cabs

$$Y_{max} = B + or - 0.9 \text{ times } X$$

And X = Horizontal distance from the rear axle centerline to the combined centers of gravity of all added components. MINUS (-) is forward and PLUS (+) is rearward of rear axle centerline.

B = factors chart (see pg. 3 of this document).

NOTE: MVSS 105 is applicable only if completed vehicle has a GVWR of 7176 lbs (3,500 kg) or more.

**FMVSS 106
CMVSR 106[†]** This vehicle, when completed, will conform to FMVSS 106 - Brake Hoses if no alterations are made to the hydraulic or vacuum brake hose assemblies.

**FMVSS 108
CMVSR 108[†]
CMVSR 108.1[†]** This vehicle will not conform to FMVSS 108 - Lamps, Reflective Devices and Associated Equipment in its present (incomplete) stage of manufacture. All incomplete vehicle manufacturer-installed components which are covered by this standard will comply, provided that subsequent manufacturers do not alter, obscure, or relocate these components. Subsequent manufacturers must add all necessary additional equipment required to meet this standard.

**FMVSS 109
CMVSS 109[†]** The vehicle as shipped does not conform to FMVSS 109 - New Pneumatic and Certain Specialty Tires for passenger vehicles.

**FMVSS 110
CMVSR 110** The vehicle as shipped does not conform to FMVSS 110 - Tire Selection and Rims for Motor Vehicles with GVWR of 10,000 lbs (4,536 kg) or less. It is the responsibility of the final stage manufacturer to properly affix the Tire and Loading placard label to the vehicle according to FMVSS 110, as well as assure tire, tire rims and tire pressure are appropriately selected for the vehicle.

**FMVSS 111
CMVSR 111[†]** This vehicle, when completed, will conform to FMVSS 111 - Rearview Mirrors* if no alterations are made to the rearview mirror systems and the driver's indirect view to the rear is not obscured by the body or other equipment.
***NOTE:** On vehicles with outside rearview mirrors deleted, conformity to FMVSS 111 - Rearview Mirrors is not determined by the design of this incomplete vehicle and no representation as to conformity is made.

**FMVSS 113
CMVSR 113[†]** This vehicle, when completed, will conform to FMVSS 113 - Hood Latch Systems if no alterations are made to the hood latches or attaching parts.

**FMVSS 114
CMVSR 114[†]** This vehicle, when completed, will comply with FMVSS 114 - Theft Protection* if no alterations are made to the steering column lock, transmission shift linkage, ignition switch interlock or the audible key-left-in-lock warning systems.
 Completed vehicles with a GVWR of 10,000 lbs (4,536 kg) or less are required to be equipped with an electronic engine immobilizer system (CANADA).
***NOTE:** MVSS 114 is applicable only if completed vehicle has a GVWR of 10,000 lbs (4,536 kg) or less.

**49 CFR Part 565
CMVSR 115[†]** This vehicle, when completed, will conform to 49 CFR Part 565 or CMVSR 115 - Vehicle Identification Number if:

- No alterations are made to the VIN plate, the VIN plate-mounting, or the VIN plate location
- No component installed by the subsequent manufacturers obscures the visibility of the VIN plate through the windshield.

**FMVSS 116
CMVSR 116[†]** This vehicle, when completed, will conform to FMVSS 116 - Motor Vehicle Brake Fluids if no alterations, substitutions, or introduction of foreign material are made to the brake fluid.

**FMVSS 118
CMVSR 118[†]** If so equipped, this vehicle, when completed, will conform to FMVSS 118 - Power Operated Window, Partition and Roof Panel Systems if no alterations are made to the power window and related electrical systems.

- Subsequent manufacturers must assure compliance with FMVSS 118 - Power Operated Window, Partition and Roof Panel Systems if powered roof panels, internal partitions or MPV power operated rear window systems are installed.
NOTE: MVSS 118 is applicable only if completed vehicle has GVWR of 10,000 lbs (4,536 kg) or less.

*If so Equipped. (†) See Section on Canadian Regulations. (&) sections as applicable

B Factors for Determining Center of Gravity									
Weight of Components Added by Subsequent Manufacturers	Ram 2500/3500 Pickup (DJ/D2)				Ram 3500 Chassis Cab (DD)				
	Std Cab	Mega Cab	Crew Cab		Standard Cab			Crew Cab	
	140.5" WB	160.5" WB	149.5" WB	169.5" WB	143.5" WB	143.5" WB	167.5" WB	172.4" WB	172.4" WB
B Factors	B	B	B	B	B	B	B	B	B
Rear Axle Type	---	---	---	---	SRW	DRW	DRW	SRW	DRW
250 lbs (Minimum allowable added weight for 2500)	140	140	140	140	---	---	---	---	---
500 lbs	140	140	140	140	---	---	---	---	---
750 lbs	140	140	140	140	---	---	---	---	---
1,000 lbs	140	140	140	140	130	130	130	130	130
1,250 lbs	140	140	140	140	---	---	---	---	---
1,500 lbs	140	140	140	140	---	---	---	---	---
1,750 lbs	140	140	140	140	---	---	---	---	---
2,000 lbs	140	140	140	140	125	125	125	125	125
2,250 lbs	140	140	140	140	---	---	---	---	---
2,500 lbs	140	140	140	140	---	---	---	---	---
2,750 lbs	140	140	140	140	---	---	---	---	---
3,000 lbs	134	134	134	134	120	120	120	120	120
3,250 lbs	128	128	128	128	---	---	---	---	---
3,500 lbs	122	122	122	122	---	---	---	---	---
3,750 lbs	116	116	116	116	---	---	---	---	---
4,000 lbs	110	110	110	110	---	115	115	---	115
5,000 lbs	---	---	---	---	---	110	110	---	110
6,000 lbs	---	---	---	---	---	105	105	---	105

B Factors for Determining Center of Gravity						
Weight of Components Added by Subsequent Manufacturers	Ram 4500 Chassis Cab (DP)					
	Std Cab	Std Cab	Std Cab	Std Cab	Crew Cab	Crew Cab
	144.5" WB	168.5" WB	192.5" WB	204.5" WB	173.4" WB	197.4" WB
B Factors	B	B	B	B	B	B
Rear Axle Type	DRW	DRW	DRW	DRW	DRW	DRW
1000 lbs	130	130	130	130	130	130
2000 lbs	125	125	125	125	125	125
3000 lbs	120	120	120	120	120	120
4000 lbs	115	115	115	115	115	115
5000 lbs	110	110	110	110	110	110
6000 lbs	105	105	105	105	105	105
7000 lbs	100	100	100	100	100	100
8000 lbs	95	95	95	95	95	95

B Factors for Determining Center of Gravity						
Weight of Components Added by Subsequent Manufacturers	Ram 5500 Chassis Cab (DP)					
	Std Cab	Std Cab	Std Cab	Std Cab	Crew Cab	Crew Cab
	144.5" WB	168.5" WB	192.5" WB	204.5" WB	173.4" WB	197.4" WB
B Factors	B	B	B	B	B	B
Rear Axle Type	DRW	DRW	DRW	DRW	DRW	DRW
1000 lbs	130	130	130	130	130	130
2000 lbs	125	125	125	125	125	125
3000 lbs	120	120	120	120	120	120
4000 lbs	115	115	115	115	115	115
5000 lbs	110	110	110	110	110	110
6000 lbs	105	105	105	105	105	105
7000 lbs	100	100	100	100	100	100
8000 lbs	95	95	95	95	95	95
9000 lbs	90	90	90	90	90	90
10000 lbs	85	85	85	85	85	85
11000 lbs	80	80	80	80	80	80

SRW = Single Rear Wheel DRW = Dual Rear Wheel

Note: Min X = The farthest point forward relative to the rear of cab (inches) that the center of gravity can be located. Positive Min X is rear of back of cab; negative Min X is forward.

Note: See FMVSS/CMVSR 301 for further weight limitations. See FMVSS/CMVSR 212 for additional center-of-gravity limitations.

FMVSS 119 CMVSR 119†	This vehicle, when completed, will conform to <u>FMVSS 119 - New Pneumatic Tires for Motor Vehicles other than Passenger Cars</u> if: <ul style="list-style-type: none"> • No tire alterations or substitutions are made • The required tire data are either added to the vehicle's certification label or furnished on a separate tire information label • The tire load carrying capacity and speed rating are not exceeded <p>*NOTE: FMVSS 119 is applicable only if completed vehicle has a GVWR of more than 10,000 lbs.</p>	<ul style="list-style-type: none"> • When tested in accordance with the requirements of the standard; (1), no component installed by the subsequent manufacturer impinges upon the steering control system with the sufficient energy to displace the steering control systems, and (2), no vehicle modification by the subsequent manufacturer results in any portion of the vehicle impinging upon the steering control system with sufficient energy to displace the steering control system <p>*NOTE: FMVSS 204 is applicable only if completed vehicle has: (1), a GVWR of 10,000 lbs (4,536 kg) or less and (2), an unloaded vehicle weight of 5,500 lbs or less.</p>
FMVSS 120 CMVSR 120†	This vehicle, when completed, will conform to <u>FMVSS 120 - Tire Selection and Rims for Motor Vehicles with a GVWR of more than 10,000 lbs (4,536 kg)</u> if: <ul style="list-style-type: none"> • No alterations are made to the tires and rims • The required tire and rim data are either added to the completed vehicle's certification label or furnished on a separate tire information label in accordance with FMVSS 110, Section 4 [for vehicles with GVWR ≤ 10,000 lbs (4,536 kg)] and FMVSS 120 [for vehicles with GVWR > 10,000 lbs (4,536 kg)] • The load carrying capacity and speed rating of the required tires and wheels are not exceeded 	FMVSS 205 CMVSR 205† This vehicle, when completed, will conform to <u>FMVSS 205 - Glazing Materials</u> if no alterations are made to the windshield or windows, and if no nonconforming glazing materials are added.
FMVSS 124 CMVSR 124†	This vehicle, when completed, will conform to <u>FMVSS 124 - Accelerator Control Systems</u> if no alterations are made to the accelerator control system.	FMVSS 206 CMVSR 206† This vehicle, when completed, will conform to <u>FMVSS 206 - Door Locks and Door Retention Components</u> if no alterations are made to the door locks, door hinges or their attachments. *NOTE: FMVSS 206 is applicable only if completed vehicle has a GVWR of 10,000 lbs (4,536 kg) or less.
FMVSS 126	This vehicle when completed will conform to <u>FMVSS 126 - Electronic Stability Control Systems</u> if no alterations are made to the stability control system or related chassis and electrical components. *NOTE: FMVSS 126 is applicable only if completed vehicle has a GVWR of 10,000 lbs (4,536 kg) or less.	FMVSS 207 CMVSR 207† If this vehicle is equipped with a driver's seat or front seats, when completed, it will conform to <u>FMVSS 207 - Seating Systems</u> if no alterations are made to the seats, seat tracks, vehicle underbody including, but not limited to frame, body, body mounts, or any attaching parts.
FMVSS 138	This vehicle when completed will conform to <u>FMVSS 138 - Tire Pressure Monitoring Systems</u> if no alterations are made to the tire pressure monitoring system or related chassis and electrical components. *NOTE: FMVSS 138 is applicable only if completed vehicle has a GVWR of 10,000 lbs (4,536 kg) or less.	FMVSS 208 CMVSR 208† If this vehicle, when completed, will conform to <u>FMVSS 208 - Occupant Crash Protection</u> if no alterations are made to the seat belt and seat belt warning systems, seat locations and/or the windshield header. Subsequent manufacturers must assure compliance for any added designated seating positions and for any modifications to the vehicle front end structure that may alter the crash characteristics, performance, or pulse, including, but not limited to, rails, bumper structure and attaching parts, crash sensors and airbag deployment electronics, occupant restraint system including the seat belt system, airbags, steering system, and knee blockers.
FMVSS 139	This vehicle when completed will conform to <u>FMVSS 139 - New Pneumatic Radial Tires for Light Vehicles</u> if no alterations are made to the radial tires or related chassis components. *NOTE: FMVSS 139 is applicable only if completed vehicle has a GVWR of 10,000 lbs (4,536 kg) or less.	FMVSS 209 CMVSR 209† This vehicle, when completed, will conform to <u>FMVSS 209 - Seat Belt Assemblies</u> if no alterations are made to the seat belt assemblies. Subsequent manufacturers must assure compliance for added designated seating positions.
FMVSS 201 CMVSR 201†	If this vehicle is equipped with a seat or seats, when completed, it will conform to <u>FMVSS 201 - Occupant Protection in Interior Impact*</u> if no alterations are made to the seat locations, instrument panel, armrests, the interior trim including but not limited to, the upper interior trim including that over the doors, windshield and rear window, the roof side rails, the headliner, headliner and roof mounted components, and the roof pillars. *NOTE: FMVSS 201 is applicable only if completed vehicle has a GVWR of 10,000 lbs (4,536 kg) or less.	FMVSS 210 CMVSR 210† This vehicle, when completed, will conform to <u>FMVSS 210 - Seat Belt Assembly Anchorages</u> if no alterations are made to the seat belt assembly anchorages, body parts, frame, body mounts, or seat location. Subsequent manufacturers must assure compliance for added designated seating positions.
FMVSS 202 FMVSS 202a CMVSR 202†	This vehicle, when completed, will conform to <u>FMVSS 202a - Head Restraints*</u> if no alterations are made to the seat or head restraints. *NOTE: FMVSS 202a is applicable only if completed vehicle has a GVWR of 10,000 lbs (4,536 kg) or less.	FMVSS 212 CMVSR 212† This vehicle, when completed, will conform to <u>FMVSS 212 - Windshield Mounting</u> if: <ul style="list-style-type: none"> • No alterations are made to the body, body mounts, and frame rails that significantly affect crush from back of the cab forward in the vehicle • No alterations are made to the windshield or the windshield mounting system • When tested in accordance with the requirements of this standard: (1), no component installed by the subsequent manufacturers impinges upon the cab with sufficient energy to separate the windshield from its mounting, and (2), no vehicle modification by the subsequent manufacturer results in any portion of the vehicle impinging upon the cab with sufficient energy to separate the windshield from its mounting <p>*NOTE: FMVSS 212 is applicable only if completed vehicle has a GVWR of 10,000 lbs (4,536 kg) or less.</p>
CMVSR 203†	This vehicle, when completed, will conform to <u>FMVSS 203 - Impact Protection for the driver from the Steering Control System*</u> if no alterations are made to the driver's seat location, steering wheel, steering column assembly or any attaching parts. *NOTE: FMVSS 203 is applicable only if completed vehicle has a GVWR of 10,000 lbs (4,536 kg) or less.	FMVSS 214 CMVSR 214† This vehicle, when completed, will meet <u>FMVSS 214 (static) - Side Impact Protection</u> and is applicable only if completed vehicle has a GVWR of 10,000 lbs (4536 kg) or less. If no alterations are made to the vehicle, including but not limited to the doors, door frames, door latches, door hinges or attaching parts, vehicle structure below the doors and the door aperture structure. This vehicle, when completed, does not need to conform to FMVSS 214 (Dynamic) Side Impact Protection. This vehicle has a GVWR greater than 6,000 lbs.
FMVSS 204 CMVSR 204†	This vehicle, when completed, will conform to <u>FMVSS 204 - Steering Control Rearward Displacement*</u> if: <ul style="list-style-type: none"> • No alterations are made to the steering control system, including, but not limited to, steering wheel, steering column assembly, front structure, bumper and attaching parts 	

*If so Equipped. (†) See Section on Canadian Regulations. (&) sections as applicable

FMVSS 216 This vehicle, when completed, does not need to conform to FMVSS 216 - Roof Crush Resistance. This vehicle has a GVWR greater than 6,000 lbs (2722 kg).

FMVSS 219 This vehicle, when completed, will conform to FMVSS 219 - Windshield Zone Intrusion† if:

- No alterations are made to the hood mounting system, the body & vehicle structure that would alter vehicle crush from just behind the front seats forward in the vehicle
- When tested in accordance with the requirements of this standard: (1), no component installed by the subsequent manufacturer penetrates the "protected zone" of the windshield or the inner surface of that portion of the windshield below the "protected zone" and (2), no vehicle modification by the subsequent manufacturer results in any portion of the vehicle penetrating the "protected zone" of the windshield or the inner surface of that portion of the windshield below the "protected zone"

***NOTE:** FMVSS 219 is applicable only if completed vehicle has a GVWR of 10,000 lbs (4,536 kg) or less.

FMVSS 225 This vehicle, when completed, will conform to FMVSS 225
CMVSR 210.1† Child Restraint Anchorage Systems (USA) or CMVSR 210.1 and 210.2 - Tether Anchorage for Child Restraints if no alterations are made to child seat top anchorages, body parts or seat locations. Subsequent manufacturers must assume compliance for added designated seating positions.

FMVSS 226 This vehicle (DJ and D2 only), when completed, will conform to FMVSS 226 - Ejection Mitigation and is applicable only if completed vehicle has GVWR of 10,000 lbs (4536 kg) or less if no alterations are made to the seat belt, seat locations, roof rail, A-pillar/B-pillar upper, and/or windshield header. Subsequent manufacturers must assure compliance for any modifications to the vehicle side structure that may alter the crash characteristics, performance, or pulse, including, but not limited to rails or attaching parts, crash sensors and side air bag curtain deployment electronics.

FMVSS 301 This vehicle, when completed, will conform to FMVSS 301 - Fuel System Integrity† if:

- No alterations are made to the fuel system
- The subsequent manufacturer completes the frame mounted fuel filler pipe installation according to the instructions provided in the fuel filler kit
- The Unloaded Vehicle Weight (UVW) of the completed vehicle does not exceed the values listed in the next table.
- When tested in accordance with the requirements of this standard, no component installed by the subsequent manufacturer impinges upon the fuel system with sufficient energy to puncture or separate the fuel system, and no vehicle modification by the subsequent manufacturer results in any portion of the vehicle impinging upon the fuel system with sufficient energy to puncture or separate the fuel system

***NOTE:** FMVSS 301 is applicable only if completed vehicle has a GVWR of 10,000 lbs (4,536 kg) or less.

FMVSS 302 This vehicle, when completed will conform to FMVSS 302 - Flammability of Interior Materials if no alterations are made to any interior component and no non-conforming interior materials are added.

49 CFR Part 393 This vehicle, when completed will conform to 49 CFR Part 393 - Parts and Accessories Necessary for Safe Operation if no alterations are made to the following:

- Brakes (Part 393, Subpart C)
- Glazing (Part 393, Subpart D)
- Heating Systems (Part 393.77)
- Horn (Part 393.81)
- Speedometer (Part 393.82)
- Exhaust System (Part 393.83)
- Floors (Part 393.84)

- Interior Noise (Part 393.94)

Subsequent manufacturers must assure compliance to the following:

- Lighting Devices, Reflectors and Electrical Equipment (Part 393, Subpart B)

***NOTE:** 49 CFR Part 393 is applicable only if completed vehicle has a GVWR of 10,000 lbs (4,536 kg) or more.

Canadian Requirements

This incomplete vehicle as produced by Chrysler Group LLC conforms in full with the Canadian Motor Vehicle Safety Regulations indicated by (†) in the listing throughout this document except as noted for CMVSR 108 and 111. In addition, this incomplete vehicle also conforms to Canadian Motor Vehicle Safety Regulation (CMVSR) 1106 - Interior and Exterior Noise and, when completed, will continue to comply if no alterations are made to the air intake system, cooling system, exhaust system or tires, and no obstructions are placed in close proximity to the tail pipe outlet.

Further, this incomplete vehicle, as manufactured by Chrysler Group LLC, fully complied with Interference-Causing Equipment Standard ICES-002, and when completed will continue to comply if no alterations are made to the distributor, ignition coils, ignition wires, spark plug wires, spark plugs or spark plug sleeves.

Other Federal Requirements

Exterior Noise – Ram 3500, 4500 & 5500 4x2 and 4x4 models with a GVWR of more than 10,000 lbs only

This incomplete vehicle, as manufactured by Chrysler Group LLC fully complied with the Environmental Protection Agency's Exterior Noise Regulations - 40 CFR Part 205. When completed, it will continue to comply if no alterations are made to the air intake system, cooling system, exhaust system or tires, and no obstructions are placed in close proximity to the tail pipe outlet.

Note: Intermediate Manufacturers

Each intermediate manufacturer making any changes in this vehicle which affect the validity of any statement in this document as provided to him must furnish an addendum to this document that contains his name, mailing address and an indication of all changes that should be made in this document to reflect changes that he made in this vehicle. The incomplete vehicle manufacturer must then furnish this document, along with any addenda, as required, and in the manner specified in Paragraph 568.5 of Part 568 of Title 49 CFR Part 568.

Note: Final Manufacturers

The final-stage manufacturer must complete this vehicle in such a manner that it conforms to all standards in effect on the date of manufacture by Chrysler Group LLC, the date of final completion, or a date between those two dates. The final-stage manufacturer must certify the completed vehicle as required by sections 567.5 and 568.6, 49 CFR Part 567 and 568.

Sample Calculation – Ram Pickup FMVSS/CMVSR† 105 Compliance, Chassis Cab (>7, 716 lb/3,500 kg GVWR)

Example:

Subsequent manufacturer wishes to add a 260-lb winch to the front bumper and a 1,110-lb body to a 140.5" wheelbase 2500 HD 4x2. The midpoint of the winch will be 174" from the centerline of the rear axle directly above the frame rails. The body will be placed directly behind the cab and its floor will be directly above the frame rails. Can the modification be done without negating FMVSS/CMVSR† 105 compliance?

RAM MODELS <= 10k lb GVWR Max Unloaded Vehicle Weight

				GVWR (lbs)		Maximum Unloaded Vehicle Weight UVW (lbs)	
				4x2	4x4		
	Engine	Body	WB				
Single Rear Wheel	2500 Pickup	5.7L V8	Reg	140.5	9,000		8,000
			Crew	149.5			
		6.4L V8	Reg	140.5	10000 / 9,900*		
			Crew	149.5			
		6.7L Diesel	Reg	140.5	10000 / 9,900*		
			Crew	149.5			
3500 Cab Chassis	5.7L V8	Reg	143.5	10000*	10000*	8,500	
		Crew	172.4				
	6.4L V8	Reg	143.5				
		Crew	172.4				
	6.7L Diesel	Reg	143.5				
		Crew	172.4				

*Option

†If so Equipped. (†) See Section on Canadian Regulations. (&) sections as applicable

Sample Calculation – Ram Pickup FMVSS/CMVSR† 105 Compliance, Chassis Cab - Continued

Solution:

First, determine the location of the center of gravity of the individual components to be added. For the purposes of this example, the center of gravity (CG) of the winch is 5 inches above its base and at its exact center in the fore and aft direction. The CG of the body is 7.5 inches above its floor and 62 inches from its front in the fore and aft direction. (See illustration below.)

Second, calculate the combined CG of the winch and body in the fore and aft direction. To find the combined CG, the weight of the winch is multiplied by the distance of its CG from the centerline of the rear axle. This result is then divided by the total weight of the components.

$$X = \frac{6.3" \times 1,110 \text{ lb} - 181.4" \times 260 \text{ lb}}{(1,110 \text{ lb} + 260 \text{ lb})} = -29.3"$$

A negative value for "X" indicates that the CG is in front of the rear axle centerline.

Note: If all added component CGs are behind the rear axle, then the respective weight times CG distance results are added together before being divided by total weight.

Third, calculate Ymax from the equation: $Y_{max} = B + 1.6(X)$.

From the "B" factor table, "B" for a 1,370-lb load for a 140.5-inch wheelbase is about 140.

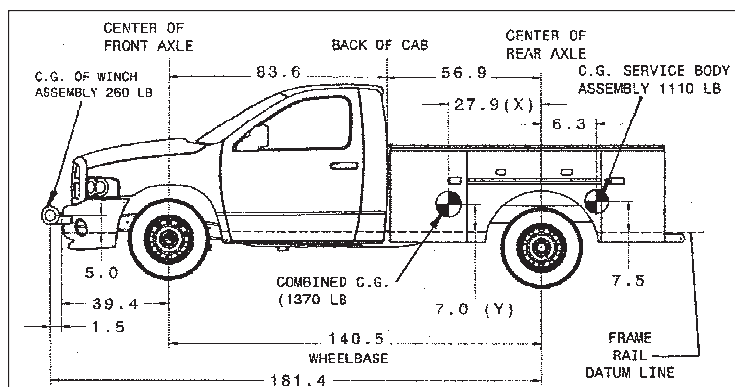
Therefore, $Y_{max} = 140 - 1.6(29.3) = 93.2$ inches.

Fourth, calculate the combined vertical CG of the added components (Y) by multiplying the CG height of each component by the weight of each component, adding the results and dividing by the total weight of components:

$$Y = \frac{5" \times 260 \text{ lb} + 7.5" \times 1,110 \text{ lb}}{(260 \text{ lb} + 1,110 \text{ lb})} = 7.0"$$

Note: If an added component's CG was below the frame rail datum line, then its weight-times-CG-distance result would be subtracted from the weight-times-distance-result of components with CGs above the frame rail datum line.

Fifth, compare the value of Y with Ymax. For the additional components to be installed without affecting FMVSS/CMVSR† 105 compliance, the value of Y must not exceed Ymax. In the above example, Y(7.0") is less than Ymax (93.2"). Therefore, the winch and body combination can be added.



INCOMPLETE VEHICLE AND HEAVY-DUTY ENGINE INFORMATION

INCOMPLETE VEHICLES

FEDERAL, CANADA AND CALIFORNIA (AND STATES ADOPTING CALIFORNIA EMISSION REGULATIONS)

EXHAUST EMISSION CERTIFICATION PARAMETERS – INCOMPLETE VEHICLE – BOX OFF PACKAGES

The gasoline and diesel powered trucks listed below will conform with all Federal, Canadian or the State of California (including Connecticut, Maine, Massachusetts, New York, Oregon, Rhode Island, and Vermont) exhaust emission regulations applicable to the 2015 model year new heavy-duty vehicles and medium duty vehicles, if the following conditions are not exceeded in completion of the vehicle.

MODELS Incomplete Vehicles - Box Off Pkgs.	Body Model	Engine Displacement	Sales Area	GVWR	Max Completed Truck Curb Weight	Max Completed Truck Curb Frontal Area
2500 HD 4X2	DJ	5.7L/6.4L Gasoline	Federal, Canada and California	*	*	*
2500 HD 4X4	DJ	5.7L/6.4L Gasoline	Federal, Canada and California	*	*	*

*See under hood Vehicle Emission Control Information label.

FOR GASOLINE FUELED INCOMPLETE VEHICLES

FUEL VAPOR RECOVERY (GASOLINE FUELED VEHICLES) – CALIFORNIA, CONNECTICUT, MAINE, MASSACHUSETTS, NEW YORK, OREGON, RHODE ISLAND AND VERMONT

The following information applies to gasoline fueled vehicles for sale or use in the states of California, Connecticut, Maine, Massachusetts, New York, Oregon, Rhode Island, and Vermont. California regulations require that the vehicle fuel systems be designed to accommodate a vapor recovery fueling nozzle including unobstructed access to the fill pipe. Fuel filler pipes installed according to the instructions provided in the fuel filler kit will comply with the "Specifications for Fill Pipes and Openings of Motor Vehicle Fuel Tanks," referenced in Title 13 California Administrative Code providing no part of the second body, as installed, intrudes into the nozzle access zone.

ADDITIONAL MODIFICATION INFORMATION FOR FEDERAL, CANADA AND CALIFORNIA, CONNECTICUT, MAINE, MASSACHUSETTS, NEW YORK, OREGON, RHODE ISLAND AND VERMONT

The term "second bodies" includes not only the basic body or body structure but also any equipment permanently attached to the vehicle installed by the vehicle alterer.

- None of the following fuel system components as installed by Chrysler Group LLC are to be removed, replaced, relocated, altered or modified in any way:
 - Fuel tank and attachment hardware, including sending unit and vapor valve
 - Fuel lines, routing and attachments, excluding fuel filler cap, filler pipe, filler hose and filler system attachment hardware
 - Vapor line and carbon canister (Gasoline only)

- Fuel pump
- Leak detection system (Gasoline only)
- Fuel filter and attachment
- Throttle body
- Air cleaner assembly
- No additional fuel tanks may be added.
- Any alteration or modification made to the vehicle as manufactured by Chrysler Group LLC, and components or structure installed by the vehicle alterer must not result in penetration, separation or other damage to the fuel system or any portion thereof when the vehicle is tested in any manner specified by applicable provisions of FMVSS/CMVSR 301.
- The second body installed and the required fuel system components (identified below) must be located and mounted as follows:
 - Second body components must not contact any fuel system component (other than at the points where the fuel system is permanently attached to the second body)
 - Second body deformation or movement relative to the frame must not cause any fuel system component to be penetrated, disconnected or otherwise damaged.
 - The rear end of the second body (excluding the rear bumper) installed must not extend beyond (overhang) the rear edge of the vehicle frame or frame extension. Any extension of the vehicle frame must be constructed and attached so as to perform as a continuation of the vehicle frame when the altered vehicle is tested in any manner specified by applicable provisions of FMVSS/CMVSR 301
 - The fuel filler cap, filler pipe, filler hose and filler system attachment hardware must be installed according to the instructions provided in fuel filler kit and must be securely retained to remain intact when the vehicle is tested in any manner specified by applicable provisions of FMVSS/CMVSR 301.

HEAVY-DUTY ENGINE CERTIFICATION INFORMATION

FEDERAL, CANADA AND CALIFORNIA (AND STATES ADOPTING CALIFORNIA EMISSION REGULATIONS)

The following vehicles are certified under Federal, Canadian or the State of California (including Connecticut, Maine, Massachusetts, New York, Oregon, Rhode Island, and Vermont) heavy-duty engine certification regulations and NO emission related curb weight and frontal area restrictions apply.

MODELS	Body Model	Engine Displacement	Sales Area
3500/4500/5500 Ram 4X2 Cab Chassis	DD/DP	6.7L Diesel	Federal, Canada and California
3500/4500/5500 Ram 4X4 Cab Chassis	DD/DP	6.7L Diesel	Federal, Canada and California

