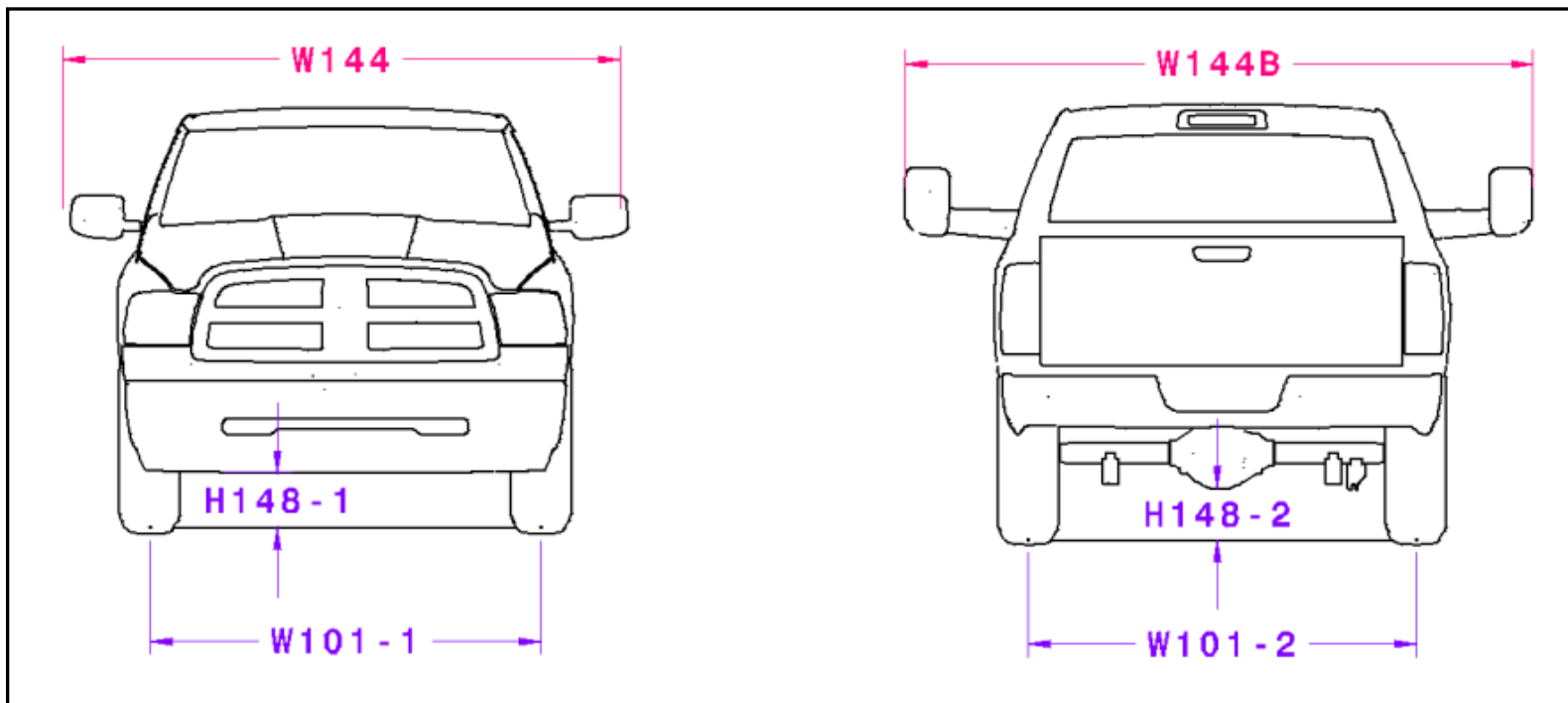
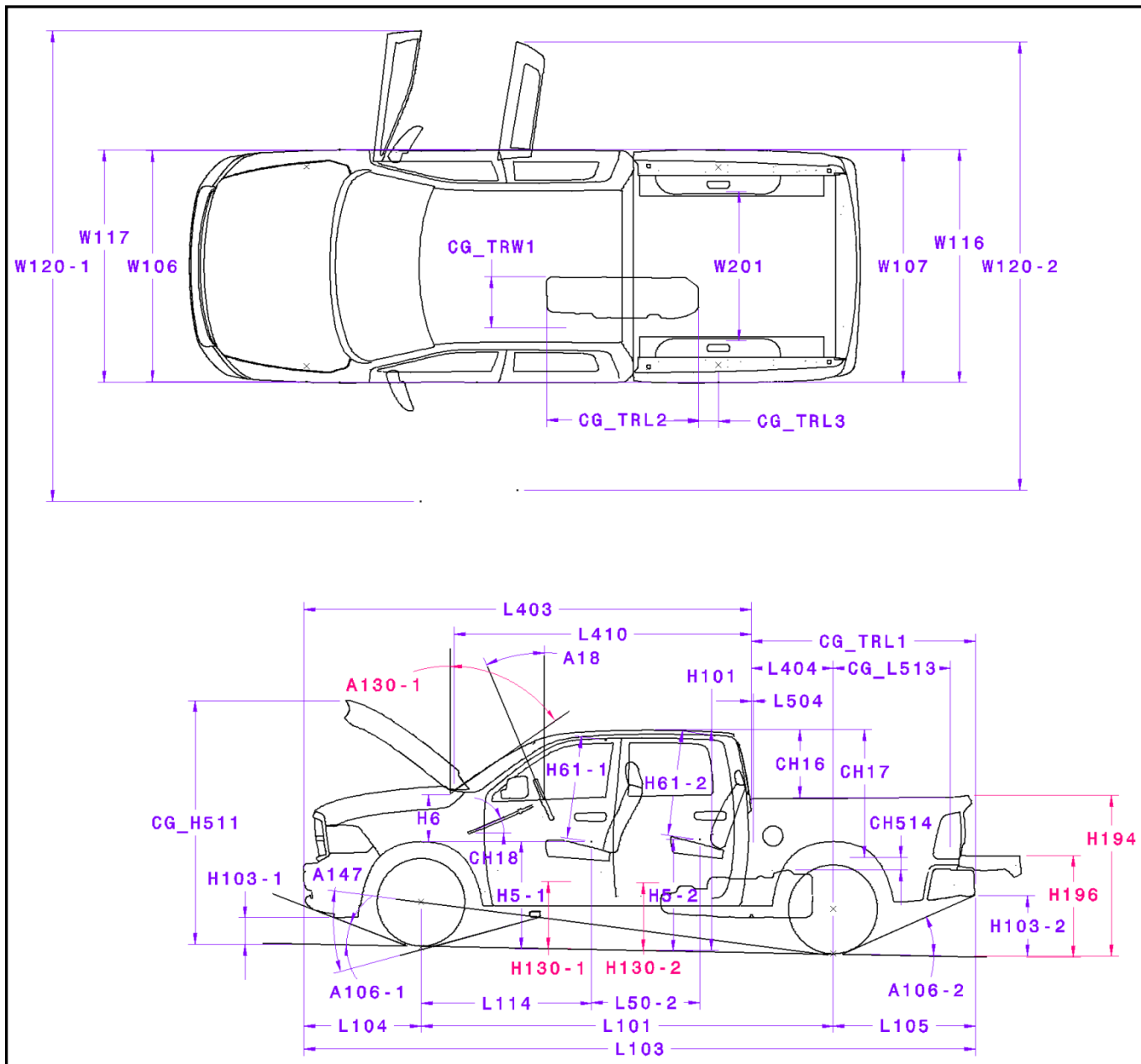


CREW CAB 1500 140.5"WB 4x4 SPRING SUSPENSION



CREW CAB 1500 140.5"WB 4X4 SPRING SUSPENSION



CREW CAB 1500 140.5"WB 4X4 SPRING SUSPENSION

Code	RAM CREW CAB 5.5 BOX 140.5WB	Metric	English
CG_TRL1	Rear Bumper to Back of Cab	1940.6 mm	76.4 in
CG_TRL2	Fuel Tank Length	1317.5 mm	51.9 in
L50-2	SgRP Couple Distance, Front to Second	939.8 mm	37.0 in
L103	Vehicle Length	5816.6 mm	229.0 in
L403	Front Bumper to Back of Cab (BBC)	3876.0 mm	152.6 in
L410	Cab Length	2573.6 mm	101.3 in
L504	Cab to Pickup Body	16.0 mm	0.6 in

Code	RAM CREW CAB 5.5 BOX 140.5WB	Metric	English
A130-1	Glazing Angle - Windscreen	56.4 deg	56.4 deg
CG_A18	Steering Wheel Angle	23.4 deg	23.4 deg
CH16	Top of Box to Cab Roof	585.5 mm	23.1 in
CH17	Box Floor to Cab Roof	1105.8 mm	43.5 in
CH18	Steering Column Angle	22.9 deg	22.9 deg
CH514	Box Floor to Top of Fuel Tank	108.5 mm	4.3 in
H6	SgRP - Front to Windshield Lower DLO	405.8 mm	16.0 in
H61-1	Effective Head Room - Front	1041.4 mm	41.0 in
H61-2	Effective Head Room - Second	1012.8 mm	39.9 in

Code	RAM CREW CAB 5.5 BOX 140.5WB	Metric	English
CG_TRW1	Outside Rail to Fuel Tank(inside)	442.4 mm	17.4 in
W144	Vehicle Width-Mirrors Included (std)	2464.4 mm	97.0 in
W144B	Vehicle Width-Mirrors Included (trailer)	2776.1 mm	109.3 in
W106	Fender Width - Front	2003.7 mm	78.9 in
W107	Fender Width - Rear	2014.4 mm	79.3 in
W116	Body Width-maximum	2017.4 mm	79.4 in
W117	Body Width At SgRP - Front	2008.7 mm	79.1 in
W120-1	Vehicle Width, Doors Open - Front	4076.6 mm	160.5 in
W120-2	Vehicle Width, Doors Open - Rear Row	3883.7 mm	152.9 in
W201	Cargo Width-Wheelhouse	1295.4 mm	51.0 in

CREW CAB 1500 140.5"WB 4X4 SPRING SUSPENSION

Code	Description	265/70R17		265/70R17 Outdoorsman		275/60R20		275/60R20 Outdoorsman	
		Metric	English	Metric	English	Metric	English	Metric	English
A106-1	Angle of Approach	17.8 deg	17.8 deg	22.4 deg	22.4 deg	19.3 deg	19.3 deg	23.9 deg	23.9 deg
A106-2	Angle of Departure	25.4 deg	25.4 deg	21.4 deg	21.4 deg	26.2 deg	26.2 deg	22.1 deg	22.1 deg
A147	Ramp Breakover Angle	20.5 deg	20.5 deg	17.8 deg	17.8 deg	21.6 deg	21.6 deg	18.8 deg	18.8 deg
CG_H511	Bottom of Open Hood to Ground	2134.0 mm	84.0 in	2154.6 mm	84.8 in	2150.2 mm	84.7 in	2170.6 mm	85.5 in
CG_L513	Rear Axle to Inside Box at Rear	1016.1 mm	40.0 in	1016.1 mm	40.0 in	1016.1 mm	40.0 in	1016.1 mm	40.0 in
CG_TRL3	Rear Wheel Center line to Fuel Tank	170.6 mm	6.7 in	170.6 mm	6.7 in	170.6 mm	6.7 in	170.6 mm	6.7 in
CG_TT18	Turn Circle Diameter (feet/meters)*	13.8 m	45.4 ft	13.7 m	45.0 ft	13.9 m	45.5 ft	13.9 m	45.5 ft
H5-1	SgRP to Ground - Front	948.4 mm	37.3 in	962.4 mm	37.9 in	964.1 mm	38.0 in	978.2 mm	38.5 in
H5-2	SgRP to Ground - Second	981.3 mm	38.6 in	992.7 mm	39.1 in	996.8 mm	39.2 in	1008.2 mm	39.7 in
H101	Vehicle Height(curbLoad)	1967.9 mm	77.5 in	1978.8 mm	77.9 in	1983.4 mm	78.1 in	1994.1 mm	78.5 in
H103-1	Fascia(Bumper) to Ground - Front	217.8 mm	8.6 in	274.8 mm	10.8 in	234.1 mm	9.2 in	291.3 mm	11.5 in
H103-2	Fascia(Bumper) to Ground - Rear	487.6 mm	19.2 in	493.6 mm	19.4 in	502.6 mm	19.8 in	508.3 mm	20.0 in
H108-1	Static Load Radius - Front Tire *	378.5 mm	14.9 in	377.2 mm	14.8 in	393.7 mm	15.5 in	393.4 mm	15.5 in
H108-2	Static Load Radius - Rear Tire *	386.1 mm	15.2 in	383.3 mm	15.1 in	401.3 mm	15.8 in	398.3 mm	15.7 in
H130-1	Step Height - Front	597.6 mm	23.4 in	609.6 mm	24.0 in	610.4 mm	24.0 in	625.4 mm	24.6 in
H130-2	Step Height - Second	602.5 mm	23.7 in	614.9 mm	24.2 in	618.1 mm	24.3 in	630.5 mm	24.8 in
H148-1	Suspension or Axel to Ground - Front	232.7 mm	9.2 in	232.7 mm	9.2 in	248.6 mm	9.8 in	248.6 mm	9.8 in
H148-2	Suspension or Axel to Ground - Rear	219.5 mm	8.6 in	219.5 mm	8.6 in	233.2 mm	9.2 in	233.2 mm	9.2 in
H194	Closed Endgate Height	1398.8 mm	55.1 in	1403.7 mm	55.3 in	1413.7 mm	55.7 in	1418.4 mm	55.8 in
H196	Lift In Height	885.3 mm	34.9 in	889.0 mm	35.0 in	900.1 mm	35.4 in	903.2 mm	35.6 in
L101	Wheelbase	3570.5 mm	140.6 in	3573.5 mm	140.7 in	3570.5 mm	140.6 in	3573.5 mm	140.7 in
L104	Overhang - Front	1016.0 mm	40.0 in	1013.0 mm	39.9 in	1016.0 mm	40.0 in	1013.0 mm	39.9 in
L105	Overhang - Rear	1230.1 mm	48.4 in	1233.0 mm	48.5 in	1230.1 mm	48.4 in	1233.0 mm	48.5 in
L114	Front Wheel Centerline toSgRP - Front	1475.8 mm	58.1 in	1478.9 mm	58.2 in	1475.8 mm	58.1 in	1478.9 mm	58.2 in
L404	Cab to Rear Axle (CA)	710.4 mm	28.0 in	710.4 mm	28.0 in	710.4 mm	28.0 in	710.4 mm	28.0 in
W101-1	Tread Width - Front Tires	1732.3 mm	68.2 in	1732.3 mm	68.2 in	1743.2 mm	68.6 in	1743.2 mm	68.6 in
W101-2	Tread Width - Rear Tires	1714.7 mm	67.5 in	1714.7 mm	67.5 in	1727.4 mm	68.0 in	1727.4 mm	68.0 in