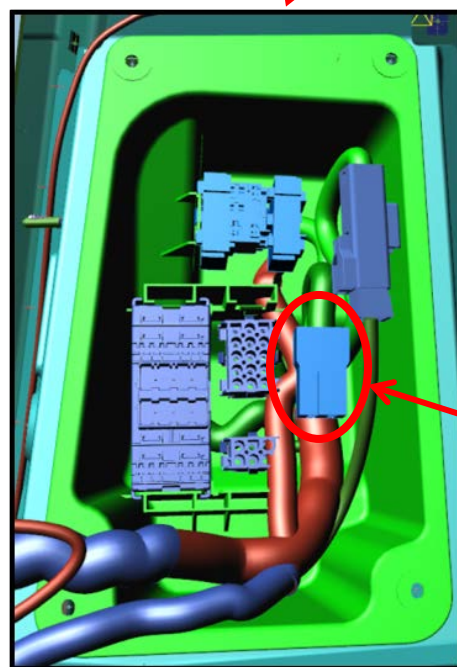
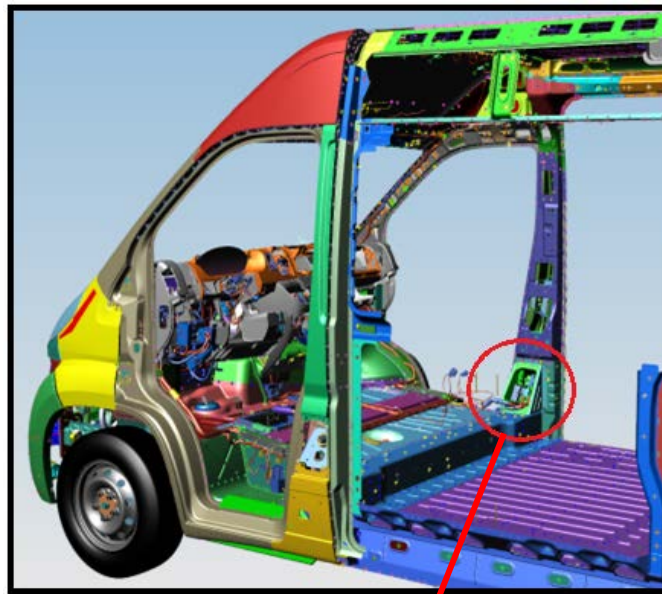


PROMASTER POWER CONNECTOR

The up fitter connectors are available as an orderable option. (Sales code BC3)
This option **cannot be added** at the aftermarket or by the dealer. The connectors are located behind a panel at the base of the passenger side B pillar. Remove the panel to expose the connectors.



Power Connector

PROMASTER POWER CONNECTOR

Connectors and Terminals Manufactured by **MTA**

Vehicle Harness Connector: MTA P/N **4440300**

Mating Connector: MTA P/N **4440400** (provided by up fitter)

2014 & 2015

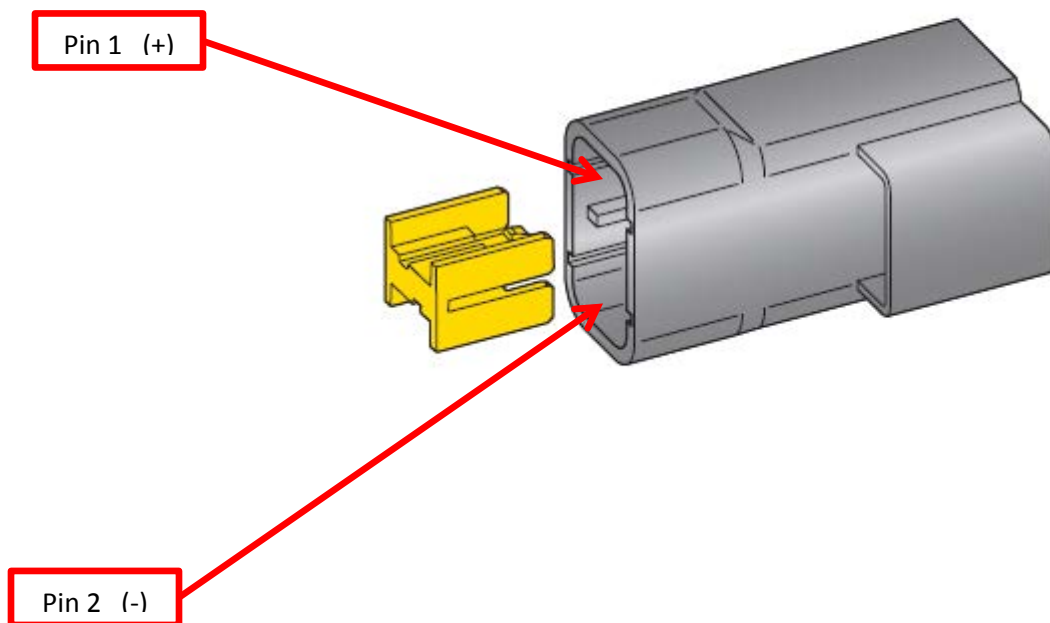
PIN	Circuit Function	Min Wire Size (mm²)	Wire Color	Notes
1	12 Volt Supply	10	RD	Fused For 50 Amps
2	Power Ground	10	BK	Max Continuous Current 53 Amps

2016 and Beyond

PIN	Circuit Function	Min Wire Size (mm²)	Wire Color	Notes
1	12 Volt Supply	16	RD	Fused For 70 Amps
2	Power Ground	16	BK	Max Continuous Current 75 Amps

PROMASTER POWER CONNECTOR

The following views are of the wire insertion side of the up fitter provided mating connector. (MTA P/N **4440400**) The Terminal used in this connector is MTA P/N **M800**. Both can be found in the MTA catalog on the MTA web site.



PROMASTER POWER CONNECTOR

The number and size of the fuses attached to the main power fuse box will vary depending upon vehicle option content. The fuse for the power connector will always be 70 amps and will always be in the location shown below.

