

**2015 PROMASTER INCOMPLETE VEHICLE DOCUMENT****68188893AD****CHRYSLER GROUP LLC**800 CHRYSLER DRIVE  
AUBURN HILLS, MI 48326-2757**CAUTION – DO NOT REMOVE THIS DOCUMENT FROM THE VEHICLE*****INCOMPLETE VEHICLE DOCUMENT*****2015 MODEL YEAR RAM PROMASTER VAN  
CHASSIS CAB AND CHASSIS CAB CUTAWAY VERSIONS**

The purpose of this document is to provide information and direction to subsequent manufacturers who must certify compliance of vehicles manufactured in two or more stages with the United States Federal Motor Vehicle Safety Standards and the Canada Motor Vehicle Safety Regulations, and other regulations applicable to the USA and/or Canada.

This document is provided in accordance with 49 CFR Part 568 - Vehicles Manufactured in Two or More Stages (National Highway Traffic Safety Administration), and section 6, Regulations Respecting Safety for Motor Vehicles and Motor Vehicle Components under Motor Vehicle Safety Act (Transport Canada).

**AFFIX FEDERAL OR CANADA  
INCOMPLETE VEHICLE  
CERTIFICATION LABEL HERE**

*Upon completion of this vehicle, the final-stage upfitter, alterer or manufacturer must place a completed Vehicle Tire and Loading Placard on driver's side B-Pillar of the vehicle, as required by CMVSR/FMVSS 110 and/or 120. The sticker below shows the information you will need for the Vehicle Placard.*

**AFFIX TIRE LOADING LABEL HERE**

# **INTRODUCTION**

Information in this manual is furnished pursuant to United States and Canadian safety regulations or, in some cases where the information is not required by regulation, is furnished for the convenience of intermediate or final stage vehicle manufacturers. Incomplete vehicles manufactured for sale or importation into the U.S., are specially equipped for the United States. The descriptions and statements contained in the manual relate only to motor vehicle safety standards issued under the National Traffic and Motor Vehicle Safety Act of 1966 as amended.

An incomplete vehicle manufactured for sale or importation into Canada is specially equipped for Canada. This vehicle conforms to the applicable Canadian Motor Vehicle Safety Standards (CMVSS) on the date of manufacture printed on the cover of this manual. Requirements unique to vehicles for use in Canada are identified in the "Statements of Conformity" and the "Canadian Vehicles" sections of this manual.

The "Emission Certification Information" section of this manual contains information regarding conformity to exhaust emission regulations of the United States, Canada, and the State of California and fuel economy regulations of the United States.

This manual should not be relied upon with respect to compliance with any regulation of the Federal Highway Administration or regulations issued pursuant to the Occupational Safety and Health Act (OSHA) or any other Federal, state, or local regulations governing the performance or construction of motor vehicles (except for those requirements shown in the "Information Certification Information" section of this manual under the heading "Unleaded Gasoline Label," "Warranty and Maintenance," and "Emission Control Information Label." It is the responsibility of the final stage manufacturer to determine applicability and comply with any Federal, state, or local requirements not detailed in this manual.

## **IMPORTANT:**

### **UNITED STATES VEHICLES**

Chrysler Group LLC has endeavored, whenever possible, to state the specific conditions under which an incomplete vehicle may be completed to conform to each applicable Federal Motor Vehicle Safety Standard.

These specific statements are intended to aid subsequent stage manufacturers in avoiding instances of inadvertent noncompliance to particular standards.

Note that the final responsibility for the compliance of the completed vehicle rests with the final stage manufacturer who is required by law to certify, as prescribed by Title 49, Code of Federal Regulations, Part 567.5, that the completed vehicle conforms to all applicable Federal Motor Vehicle Safety Standards and that all applicable Federal, state and California emission/noise standards are conformed with.

Chrysler Group LLC does not make any representation as to the appropriateness of modifications for any particular application other than expressly stated herein. Intermediate and final stage manufacturers must exercise proper engineering judgment to determine if a modification is appropriate for their specific application.

## **IMPORTANT:**

### **UNITED STATES AND CANADIAN VEHICLES**

**The following safety standards information is valid only if this vehicle is completed as one of the vehicle types shown on the Unites States or Canadian certification label on previous page.**

## **GENERAL INFORMATION**

Information in this section is provided pursuant to Title 49, Code of Federal Regulations, Part 568 – “Vehicles Manufactured in Two or More Stages”, and Section 6 of the Canadian Motor Vehicle Safety Regulations (CMVSR) – “Vehicles Manufactured in Stages.” Part 568 specifies that Final Stage Manufacturers must complete vehicles in compliance with all applicable Federal Motor Vehicle Safety Standards and affix a label to each incomplete vehicle that is completed in accordance with 49CFR567.5. Section 6.6 of the CMVSR provides labeling requirements for vehicles that are to be sold in Canada.

### **STATEMENTS OF CONFORMITY**

The “Statements of Conformity” section of this manual lists the Federal Motor Vehicle Safety Standards in effect on the date of manufacture of this incomplete vehicle that are applicable to the type(s) of completed vehicles into which this incomplete vehicle may be manufactured. This date is shown on the label affixed to the cover of this manual. These statements, in most cases, apply to specific types of incomplete or completed vehicles and identify GVWR and UVW weight ranges.

The incomplete vehicle type is identified by the 3rd digit of the Vehicle Identification Number (VIN). This digit is the number 7 on incomplete vehicles.

Each statement of conformity is identified by a safety standard number located at the left margin. Because there may be multiple statements of conformity for each safety standard, use care to select the appropriate statement. Unique CMVSS requirements will be identified at the conclusion of the representations for a particular safety standard.

Compliance statements provided in this manual are of the three following types (49CFR568.4):

Type I • A statement that the vehicle, when completed, will conform to the standard if no alterations are made in identified components of the incomplete vehicle.

Type II • A statement of specific conditions of final manufacture under which the incomplete vehicle manufacturer specifies that the completed vehicle will conform to the standard.

Type III • A statement that conformity with the standard cannot be determined based upon the components supplied on the incomplete vehicle, and that the incomplete vehicle manufacturer makes no representation as to conformity with the standard.

### **IMPORTANT:**

To rely on the compliance representations in this manual, the incomplete vehicles must be completed as one of the completed vehicle types designated on the label affixed to the cover of this manual, and must not exceed the specified GVWR, GAWRs, or the Unloaded Vehicle Weight limits when specified in this manual.

## **INCOMPLETE VEHICLE MANUAL COVER**

The cover of this manual identifies the incomplete vehicle configuration for which compliance representations are contained in this manual. Also, a label is affixed to the cover which includes the Vehicle Identification Number (VIN) for the specific vehicle to which this manual belongs. The label identifies the following information which pertains only to the vehicle with the corresponding VIN.

- The GVWR
- The front and rear GAWRs
- Tire and wheel size
- Cold tire inflation pressure (kPa/PSI)
- Completed vehicle type(s) into which the incomplete vehicle may be manufactured

## **INCOMPLETE VEHICLE INFORMATION LABEL**

All incomplete vehicles manufactured by Chrysler Group LLC will have an Incomplete Vehicle Information label affixed to the driver-door lock pillar.

California Air Resources Board (CARB), requires a Vehicle Identification Number (VIN) Label having a non-contact, bar-code, reading wand capability. The bar-code directly below the VIN on the Incomplete Vehicle Information label, when provided, will comply with this regulation.

The Canadian Motor Vehicle Safety Act and Regulations require installation of an Incomplete Vehicle Information label with the National Safety mark on it on vehicles manufactured for sale in Canada.



## **STATEMENTS OF CONFORMITY**

The following Statements of Conformity apply to vehicles that are produced for sale or importation into the United States or Canada. The term “Incomplete Vehicle Types” in these statements refers to the type of the vehicle illustrated on this manual’s cover and listed in the chart on page 8.

The number preceding each Statement of Conformity refers to the number designation for a Part or a Section of Part 571 of the Federal Motor Vehicle Safety Standard.

The statements provided for each safety standard number are appropriate compliance representations for each Canadian safety standard number if this incomplete vehicle, identified by the VIN on the front of the document, was manufactured by Chrysler Group LLC for sale or use in Canada, except as may be noted at the conclusion of each safety standard number.

The following safety standards information is valid only if this vehicle is completed as one of the vehicle types shown on the United States or Canadian certification label on the previous page.

### Pickups not equipped with outside rearview mirrors.

Pickup trucks not equipped with outside rearview mirrors will conform to the following Federal Motor Vehicle Safety Standards or Canada Motor Vehicle Safety Regulations if no alterations are made to the vehicle other than the installation of conventional, door-mounted, outside rearview mirrors:

101<sup>(†)</sup>, 102<sup>(†)</sup>, 103<sup>(†)</sup>, 104<sup>(†)</sup>, 105<sup>(†)</sup>, 106<sup>(†)</sup>, 108<sup>(†)</sup>, 108.1<sup>(†)</sup> (Canada), 109<sup>(†)</sup>, 110<sup>(†)</sup>, 113<sup>(†)</sup>, 114<sup>(†)</sup>, 115<sup>(†)</sup> (Canada), 116<sup>(†)</sup>, 118<sup>(†)</sup>, 119<sup>(†)</sup>, 120<sup>(†)</sup>, 124<sup>(†)</sup>, 125<sup>(†)</sup>, 126<sup>(†&)</sup>, 135<sup>(†&)</sup>, 138<sup>(†&)</sup>, 139<sup>(†&)</sup>, 201<sup>(†)</sup>, 202<sup>(†)</sup>, 202a<sup>(†)</sup>, 203<sup>(†)</sup> (Canada), 204<sup>(†)</sup>, 205<sup>(†)</sup>, 206<sup>(†)</sup>, 207<sup>(†)</sup>, 208<sup>(†)</sup>, 209<sup>(†)</sup>, 210<sup>(†)</sup>, 210.1<sup>(†)</sup> (Canada), 210.2<sup>(†)</sup> (Canada), 212<sup>(†)</sup>, 213<sup>(†&)</sup>, 214<sup>(†)</sup>, 216<sup>(†)</sup>, 219<sup>(†)</sup>, 225<sup>(†)</sup> (USA), 301.1<sup>\*†</sup> (Canada), 301.2<sup>\*†</sup> (Canada), 302<sup>(†)</sup>, 303<sup>\*†</sup> (USA), 304<sup>(†)</sup> (USA), 1106<sup>(†)</sup> (Canada), 40 CFR Part 205<sup>(†)</sup>, 49 CFR Part 565<sup>(†)</sup>, and ICES-002<sup>(†)</sup> (Canada).

Conformity to FMVSS/CMVSR 111 Rearview mirrors is not determined by the design of this incomplete vehicle and no representation as to conformity is made.

No representation as to conformity to any FMVSS or CMVSR beyond the information specifically contained within this document is made.

### Ram ProMaster Chassis Cab and Chassis Cab Cutaway.

**FMVSS 101  
CMVSR101†** If this vehicle is equipped with a driver's seat, when completed it will conform with FMVSS 101 - Controls and Displays if no alterations are made to the location, identification or illumination of the controls covered by this standard, including the driver's seating position. Subsequent manufacturers must assure for any controls which are added and covered by this standard.

**FMVSS 102  
CMVSR 102†** This vehicle, when completed, will conform to FMVSS 102 - Transmission Shift Lever Sequence, Starter Interlock, and Transmission Braking Effect if no alterations are made to the transmission, shift control, accelerator control, or starter interlock system on automatic transmissions, provided that the shift lever positions are permanently displayed in view of the driver.

**FMVSS 103  
CMVSR 103†** This vehicle, when completed, will conform to FMVSS 103 - Windshield Defrosting and Defogging Systems if no alterations are made to the defroster system, including vehicle heater assembly and controls.

**FMVSS 104  
CMVSR 104†** This vehicle, when completed, will conform to FMVSS 104 - Windshield Wiping/Washing Systems if no alterations are made to windshield wiping or washing systems.

**FMVSS 105  
CMVSR 105†** This vehicle, when completed, will comply with FMVSS 105 - Hydraulic Brake Systems if:

- No alterations are made to the service and parking brake systems, wheels, tires, or suspension.
- Rear axle must carry at least 37 percent of the vehicle weight when the front seat is ballasted to 400 lbs.
- The GVWR and GAWR are not exceeded.
- The front axle curb weight of the completed vehicle may not be reduced by no more than 10%, using the front axle ground reaction as manufactured by Chrysler Group LLC.
- For the **Ram ProMaster Chassis Cabs and Cutaways**, the height above frame rail datum line of the combined centers of gravity of components added by the subsequent manufacturer does not exceed Ymax, where ...

$$Y_{max} = B - 1.6(X)$$

**NOTE:** If the combined CG of the added components is behind the rear axle, then  $Y_{max} = B + 1.6X$

X = horizontal distance in inches from the centerline of the rear axle to the combined center of gravity of all the added items.

B = factors chart (see pg. 6 of this document), if the combined CG of the added components are forward of the rear axle.

**NOTE:** MVSS 105 is applicable only if completed vehicle has a GVWR of 7716 lbs (3,500 kg) or more.

**FMVSS 106  
CMVSR 106†** This vehicle, when completed, will conform to FMVSS 106 - Brake Hoses if no alterations are made to the hydraulic or vacuum brake hose assemblies.

**FMVSS 108  
CMVSR 108†  
CMVSR 108.1†** This vehicle will not conform to FMVSS 108 - Lamps, Reflective Devices and Associated Equipment in its present (incomplete) stage of manufacture. All incomplete vehicle manufacturer-installed components which are covered by this standard will comply, provided that subsequent manufacturers do not alter, obscure, or relocate these components. Subsequent manufacturers must add all necessary additional equipment required to meet this standard.

**FMVSS 109  
CMVTS 109†** The vehicle as shipped does not conform to FMVSS 109 - New Pneumatic and Certain Specialty Tires for passenger vehicles.

**FMVSS 110  
CMVSR 110†** The vehicle as shipped does conform to FMVSS 110 - Tire Selection and Rims for Motor Vehicles with GVWR of 10,000 lbs (4,536 kg) or less. It is the responsibility of the final stage manufacturer to properly affix the Tire and Loading placard label to the vehicle according to MVSS 110, as well as assure tire, tire rims and tire pressure are appropriately selected for the vehicle.

**FMVSS 111  
CMVSR 111†** This vehicle, when completed, will conform to FMVSS 111 - Rearview Mirrors\* if no alterations are made to the rearview mirror systems and the driver's indirect view to the rear is not obscured by the body or other equipment.  
**\*NOT E:** On vehicles with outside rearview mirrors deleted, conformity to FMVSS 111 - Rearview Mirrors is not determined by the design of this incomplete vehicle and no representation as to conformity is made.

**FMVSS 113  
CMVSR 113†** This vehicle, when completed, will conform to FMVSS 113 - Hood Latch Systems if no alterations are made to the hood latches or attaching parts.

**FMVSS 114  
CMVSR 114†** This vehicle, when completed, will comply with FMVSS 114 - Theft Protection\* if no alterations are made to the steering column lock, transmission shift linkage, ignition switch interlock or the audible key-left-in-lock warning systems.

Completed vehicles with a GVWR of 10,000 lbs (4,536 kg) or less are required to be equipped with an electronic engine immobilizer system (CANADA).

**\*NOTE:** MVSS 114 is applicable only if completed vehicle has a GVWR of 10,000 lbs (4,536 kg) or less.

**49 CFR Part 565  
CMVSR 115†** This vehicle, when completed, will conform to 49 CFR Part 565 or CMVSR 115 - Vehicle Identification Number if:

- No alterations are made to the VIN plate, the VIN plate-mounting, or the VIN plate location.
- No component installed by the subsequent manufacturers obscures the visibility of the VIN plate through the windshield.

**FMVSS 116  
CMVSR 116†** This vehicle, when completed, will conform to FMVSS 116 - Motor Vehicle Brake Fluids if no alterations, substitutions, or introduction of foreign material are made to the brake fluid.

**FMVSS 118  
CMVSR 118†** If so equipped, this vehicle, when completed, will conform to FMVSS 118 - Power Operated Window, Partition and Roof Panel Systems if no alterations are made to the power window and related electrical systems.

- Subsequent manufacturers must assure compliance with FMVSS 118 - Power Operated Window, Partition and Roof Panel Systems if powered roof panels, internal partitions or MPV power operated rear window systems are installed.

**NOTE:** MVSS 118 is applicable only if completed vehicle has GVWR of 10,000 lbs (4,536 kg) or less.

\*If so Equipped. (†) See Section on Canadian Regulations. (&) sections as applicable

| Weight of Components Added by Subsequent Manufacturer [lbs] | B FACTOR        |                 |                          |
|---|-----------------|-----------------|--------------------------|
|   | Model           | Model           | Model                    |
|   | Chassis Cab 136 | Chassis Cab 159 | Chassis Cab 159 Ext Body |
| 500   | 100             | 135             | 135                      |
| 1000  | 95              | 130             | 130                      |
| 1500  | 90              | 125             | 125                      |
| 2000  | 85              | 120             | 120                      |
| 2500  | 80              | 115             | 115                      |
| 3000  | 75              | 110             | 110                      |
| 3500  | 70              | 105             | 105                      |
| 4000  | 65              | 100             | 100                      |
| 4500  | 60              | 95              | 95                       |

Note: Extreme permissible positions of center of gravity

**Y-axis:** Never exceed the maximum side to side difference of the laden/unladen vehicle of 4%. Do not exceed the maximum permissible wheel or axle loads.

**Center of gravity heights with ESC**

|                                    |                                   |
|------------------------------------|-----------------------------------|
| Gross Vehicle Weight Rating (GVWR) | Center of gravity heights, z-axis |
| 8900 lbs                           | 40.6"                             |
| 9350 lbs                           | 43.7"                             |

|  |   |                                 |  |
|--|---|---------------------------------|--|
| <b>FMVSS 119<br/>CMVSR 119†</b>                | <p>This vehicle, when completed, will conform to <u>FMVSS 119 - New Pneumatic Tires for Motor Vehicles other than Passenger Cars</u> if:</p> <ul style="list-style-type: none"> <li>• No tire alterations or substitutions are made</li> <li>• The required tire data are either added to the vehicle's certification label or furnished on a separate tire information label</li> <li>• The tire load carrying capacity and speed rating are not exceeded</li> </ul> <p><b>*NOTE:</b> FMVSS 119 is applicable only if completed vehicle has a GVWR of more than 10,000 lbs.</p>  | <b>FMVSS 205<br/>CMVSR 205†</b> | <p>This vehicle, when completed, will conform to <u>FMVSS 205 - Glazing Materials</u> if no alterations are made to the windshield or windows, and if no nonconforming glazing materials are added.</p>  |
| <b>FMVSS 124<br/>CMVSR 124†</b>                | <p>This vehicle, when completed, will conform to <u>FMVSS 124 - Accelerator Control Systems</u> if no alterations are made to the accelerator control system.</p>   | <b>FMVSS 206<br/>CMVSR 206†</b> | <p>This vehicle, when completed, will conform to <u>FMVSS 206 - Door Locks and Door Retention Components</u> if no alterations are made to the door locks, door hinges or their attachments.</p> <p><b>*NOTE:</b> MVSS 206 is applicable only if completed vehicle has a GVWR of 10,000 lbs (4,536 kg) or less.</p>  |
| <b>FMVSS 126</b>                               | <p>This vehicle when completed will conform to <u>FMVSS 126 - Electronic Stability Control Systems</u> if no alterations are made to the stability control system or related chassis and electrical components.</p> <p><b>*NOTE:</b> MVSS 126 is applicable only if completed vehicle has a GVWR of 10,000 lbs (4,536 kg) or less.</p>  | <b>FMVSS 207<br/>CMVSR 207†</b> | <p>If this vehicle is equipped with a driver's seat or front seats, when completed, it will conform to <u>FMVSS 207 - Seating Systems</u> if no alterations are made to the seats, seat tracks, vehicle underbody including, but not limited to frame, body, body mounts, or any attaching parts.</p>  |
| <b>FMVSS 138</b>                               | <p>This vehicle when completed will conform to <u>FMVSS 138 - Tire Pressure Monitoring Systems</u> if no alterations are made to the tire pressure monitoring system or related chassis and electrical components.</p> <p><b>*NOTE:</b> MVSS 138 is applicable only if completed vehicle has a GVWR of 10,000 lbs (4,536 kg) or less.</p>   | <b>FMVSS 208<br/>CMVSR 208†</b> | <p>If this vehicle, when completed, will conform to <u>FMVSS 208 - Occupant Crash Protection</u> if no alterations are made to the seat belt and seat belt warning systems, seat locations and/or the windshield header. Subsequent manufacturers must assure compliance for any added designated seating positions and for any modifications to the vehicle front end structure that may alter the crash characteristics, performance, or pulse, including, but not limited to, rails, bumper structure and attaching parts, crash sensors and airbag deployment electronics, occupant restraint system including the seat belt system, airbags, steering system, and knee blockers. (Other parts of MVSS 208 are not applicable to Ram ProMaster.)</p>   |
| <b>FMVSS 139</b>                               | <p>This vehicle when completed will conform to <u>FMVSS 139 - New Pneumatic Radial Tires for Light Vehicles</u> if no alterations are made to the radial tires or related chassis components.</p> <p><b>*NOTE:</b> MVSS 139 is applicable only if completed vehicle has a GVWR of 10,000 lbs (4,536 kg) or less.</p>  | <b>FMVSS 209<br/>CMVSR 209†</b> | <p>This vehicle, when completed, will conform to <u>FMVSS 209 - Seat Belt Assemblies</u> if no alterations are made to the seat belt assemblies. Subsequent manufacturers must assure compliance for added designated seating positions.</p>   |
| <b>FMVSS 201<br/>CMVSR 201†</b>                | <p>If this vehicle is equipped with a seat or seats, when completed, it will conform to <u>FMVSS 201 - Occupant Protection in Interior Impact*</u> if no alterations are made to the seat locations, instrument panel, armrests, the interior trim including but not limited to, the upper interior trim including that over the doors, windshield and rear window, the roof side rails, the headliner, headliner and roof mounted components, and the roof pillars.</p> <p><b>*NOTE:</b> MVSS 201 is applicable only if completed vehicle has a GVWR of 10,000 lbs (4,536 kg) or less.</p>   | <b>FMVSS 210<br/>CMVSR 210†</b> | <p>This vehicle, when completed, will conform to <u>FMVSS 210 - Seat Belt Assembly Anchorages</u> if no alterations are made to the seat belt assembly anchorages, body parts, frame, body mounts, or seat location. Subsequent manufacturers must assure compliance for added designated seating positions.</p>   |
| <b>FMVSS 202<br/>FMVSS 202a<br/>CMVSR 202†</b> | <p>This vehicle, when completed, will conform to <u>FMVSS 202a - Head Restraints*</u> if no alterations are made to the seat or head restraints.</p> <p><b>*NOTE:</b> MVSS 202a is applicable only if completed vehicle has a GVWR of 10,000 lbs (4,536 kg) or less.</p>  | <b>FMVSS 212<br/>CMVSR 212†</b> | <p>This vehicle, when completed, will conform to <u>FMVSS 212 - Windshield Mounting</u> if:</p> <ul style="list-style-type: none"> <li>• No alterations are made to the body, body mounts, and frame rails that significantly affect crush from back of the cab forward in the vehicle</li> <li>• No alterations are made to the windshield or the windshield mounting system</li> <li>• When tested in accordance with the requirements of this standard: (1), no component installed by the subsequent manufacturers impinges upon the cab with sufficient energy to separate the windshield from its mounting, and (2), no vehicle modification by the subsequent manufacturer results in any portion of the vehicle impinging upon the cab with sufficient energy to separate the windshield from its mounting</li> </ul> <p><b>*NOTE:</b> MVSS 212 is applicable only if completed vehicle has a GVWR of 10,000 lbs (4,536 kg) or less.</p> |
| <b>CMVSR 203†</b>                              | <p>This vehicle, when completed, will conform to <u>FMVSS 203 - Impact Protection for the driver from the Steering Control System*</u> if no alterations are made to the driver's seat location, steering wheel, steering column assembly or any attaching parts.</p> <p><b>*NOTE:</b> MVSS 203 is applicable only if completed vehicle has a GVWR of 10,000 lbs (4,536 kg) or less.</p>  |                                 |  |
| <b>FMVSS 204<br/>CMVSR 204†</b>                | <p>This vehicle, when completed, will conform to <u>FMVSS 204 - Steering Control Rearward Displacement*</u> if:</p> <ul style="list-style-type: none"> <li>• No alterations are made to the steering control system, including, but not limited to, steering wheel, steering column assembly, front structure, bumper and attaching parts</li> <li>• When tested in accordance with the requirements of the standard; (1), no component installed by the subsequent manufacturer impinges upon the steering control system with the sufficient energy to displace the steering control systems, and (2), no vehicle modification by the subsequent manufacturer results in any portion of the vehicle impinging upon the steering control system with sufficient energy to displace the steering control system.</li> </ul> <p><b>*NOTE:</b> MVSS 204 is applicable only if completed vehicle has: (1), a GVWR of 10,000 lbs (4,536 kg) or less and (2), an unloaded vehicle weight of 5,500 lbs or less.</p> | <b>FMVSS 214<br/>CMVSR 214†</b> | <p>This vehicle, when completed, will meet <u>FMVSS 214 (static) - Side Impact Protection</u> and is applicable only if completed vehicle has a GVWR of 10,000 lbs (4536 kg) or less. If no alterations are made to the vehicle, including but not limited to the doors, door frames, door latches, door hinges or attaching parts, vehicle structure below the doors and the door aperture structure.</p> <p>This vehicle, when completed, does not need to conform to MVSS 214 (Dynamic) Side Impact Protection. This vehicle has a GVWR greater than 6,000 lbs.</p>   |

\*If so Equipped. (†) See Section on Canadian Regulations. (&) sections as applicable



**FMVSS 216** This vehicle, when completed, does not need to conform to  
**CMVSR 216†** FMVSS 216 - Roof Crush Resistance. This vehicle has a GVWR greater than 6,000 lbs (2722 kg).

**FMVSS 219** This vehicle, when completed, will conform to FMVSS 219  
**CMVSR 219†** - Windshield Zone Intrusion\* if:

- No alterations are made to the hood mounting system, the body & vehicle structure that would alter vehicle crush from just behind the front seats forward in the vehicle.
- When tested in accordance with the requirements of

this standard: (1), no component installed by the subsequent manufacturer penetrates the "protected zone" of the windshield or the inner surface of that portion of the windshield below the "protected zone" and (2), no vehicle modification by the subsequent manufacturer results in any portion of the vehicle penetrating the "protected zone" of the windshield or the inner surface of that portion of the windshield below the "protected zone"

**\*NOTE:** FMVSS 219 is applicable only if completed vehicle has a GVWR of 10,000 lbs (4,536 kg) or less.

**FMVSS 225** This vehicle, when completed, will conform to FMVSS 225  
**CMVSR 210.1†** - Child Restraint Anchorage Systems (USA) or CMVSR  
**and CMVSR 210.2†** 210.1 and 210.2 - Tether Anchorage for Child Restraints if no alterations are made to child seat top anchorages, body parts or seat locations. Subsequent manufacturers must assume compliance for added designated seating positions.

**FMVSS 301** This vehicle, when completed, will conform to FMVSS 301  
**CMVSR 301†** - Fuel System Integrity if:

- No alterations are made to the fuel system
- The subsequent manufacturer completes the frame mounted fuel filler pipe installation according to the instructions provided in the fuel filler kit
- The Unloaded Vehicle Weight (UVW) of the completed vehicle does not exceed the values listed in the next table.
- When tested in accordance with the requirements of this standard, no component installed by the subsequent manufacturer impinges upon the fuel system with sufficient energy to puncture or separate the fuel system, and no vehicle modification by the subsequent manufacturer results in any portion of the vehicle impinging upon the fuel system with sufficient energy to puncture or separate the fuel system

**\*NOTE:** FMVSS 301 is applicable only if completed vehicle has a GVWR of 10,000 lbs (4,536 kg) or less.

| Model | Body              | WB  | Engine       | GVWR  | UVW   |
|-------|-------------------|-----|--------------|-------|-------|
| 2500  | Cab Chassis       | 136 | 3.6L Gas     | 8,900 | 7,105 |
| 2500  | Cab Chassis       | 136 | 3.0L/ Diesel | 8,900 | 7,346 |
| 3500  | Cab Chassis       | 136 | 3.6L Gas     | 9,350 | 7,105 |
| 3500  | Cab Chassis       | 136 | 3.0L/ Diesel | 9,350 | 7,346 |
| 3500  | Cab Chassis       | 159 | 3.6L Gas     | 9,350 | 7,127 |
| 3500  | Cab Chassis       | 159 | 3.0L/ Diesel | 9,350 | 7,368 |
| 3500  | Cab Chassis - Ext | 159 | 3.6L Gas     | 9,350 | 7,160 |
| 3500  | Cab Chassis - Ext | 159 | 3.0L/ Diesel | 9,350 | 7,399 |

**FMVSS 302** This vehicle, when completed will conform to FMVSS 302  
**CMVSR 302†** - Flammability of Interior Materials if no alterations are made to any interior component and no non-conforming interior materials are added.

**49 CFR Part 393** This vehicle, when completed will conform to 49 CFR  
**CMVSR** Part 393 - Parts and Accessories Necessary for Safe  
**(Sect 6- 6.6)** Operation if no alterations are made to the following:

- Brakes (Part 393, Subpart C)
- Glazing (Part 393, Subpart D)
- Heating Systems (Part 393.77)
- Horn (Part 393.81)
- Speedometer (Part 393.82)
- Exhaust System (Part 393.83)
- Floors (Part 393.84)
- Interior Noise (Part 393.94)

Subsequent manufacturers must assure compliance to the following:

- Lighting Devices, Reflectors and Electrical Equipment (Part 393, Subpart B)

**\*NOTE:** 49 CFR Part 393 is applicable only if completed vehicle has a GVWR of 10,000 lbs (4,536 kg) or more.

## Canadian Requirements

This incomplete vehicle as produced by Chrysler Group LLC conforms in full with the Canadian Motor Vehicle Safety Regulations indicated by (†) in the listing throughout this document except as noted for CMVSR 108 and 111. In addition, this incomplete vehicle also conforms to Canadian Motor Vehicle Safety Regulation (CMVSR) 1106 - Interior and Exterior Noise and, when completed, will continue to comply if no alterations are made to the air intake system, cooling system, exhaust system or tires, and no obstructions are placed in close proximity to the tail pipe outlet.

Further, this incomplete vehicle, as manufactured by Chrysler Group LLC, fully complied with Interference-Causing Equipment Standard ICES-002, and when completed will continue to comply if no alterations are made to the distributor, ignition coils, ignition wires, spark plug wires, spark plugs or spark plug sleeves.

## Other Federal Requirements

### **Note: Intermediate Manufacturers**

Each intermediate manufacturer making any changes in this vehicle which affect the validity of any statement in this document as provided to him must furnish an addendum to this document that contains his name, mailing address and an indication of all changes that should be made in this document to reflect changes that he made in this vehicle. The incomplete vehicle manufacturer must then furnish this document, along with any addenda, as required, and in the manner specified in Paragraph 568.5 of Part 568 of Title 49 CFR Part 568.

### **Note: Final Manufacturers**

The final-stage manufacturer must complete this vehicle in such a manner that it conforms to all standards in effect on the date of manufacture by Chrysler Group LLC, the date of final completion, or a date between those two dates. The final-stage manufacturer must certify the completed vehicle as required by sections 567.5 and 568.6, 49 CFR Part 567 and 568.

## Sample Calculation – Ram ProMaster FMVSS/CMVSR† 105 Compliance, Chassis Cab / Cutaway

### **Example:**

Subsequent manufacturer wishes to add a 260-lb winch to the front bumper and a 1,110-lb body to a 140.5" wheelbase 2500 HD 4x2. The midpoint of the winch will be 181.4" from the centerline of the rear axle directly above the frame rails. The body will be placed directly behind the cab and its floor will be directly above the frame rails. Can the modification be done without negating FMVSS/CMVSR† 105 compliance?

\*If so Equipped. (†) See Section on Canadian Regulations. (&) sections as applicable

## Sample Calculation – Ram ProMaster FMVSS/CMVSR† 105 Compliance, Chassis Cab / Cutaway - Continued

### Solution:

First, determine the location of the center of gravity of the individual components to be added. For the purposes of this example, the center of gravity (CG) of the winch is 5 inches above its base and at its exact center in the fore and aft direction. The CG of the body is 7.5 inches above its floor and 63.2 inches from its front in the fore and aft direction. (See illustration below.)

Second, calculate the combined CG of the winch and body in the fore and aft direction. To find the combined CG, the weight of the winch is multiplied by the distance of its CG from the centerline of the rear axle. This result is then divided by the total weight of the components.

$$X = \frac{6.3" \times 1,110 \text{ lb} - 181.4" \times 260 \text{ lb}}{(1,110 \text{ lb} + 260 \text{ lb})} = -29.3"$$

A negative value for "X" indicates that the CG is in front of the rear axle centerline.

**Note:** If all added component CGs are behind the rear axle, then the respective weight times CG distance results are added together before being divided by total weight.

Third, calculate Ymax from the equation:  $Y_{max} = B + 1.6(X)$ .

From the Truck "B" factor table, "B" for a 1,370-lb load for a 140.5-inch wheelbase is about 140.

Therefore,  $Y_{max} = 140 - 1.6(29.3) = 93.2$  inches.

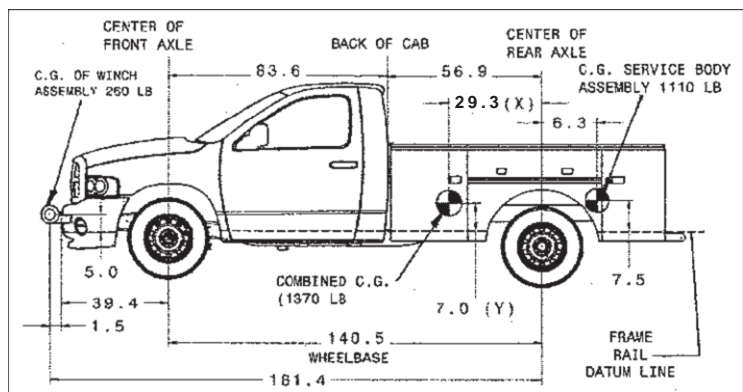
Fourth, calculate the combined vertical CG of the added components (Y) by multiplying the CG height of each component by the weight of each component, adding the results and dividing by the total weight of components:

$$Y = \frac{5" \times 260 \text{ lb} + 7.5" \times 1,110 \text{ lb}}{(260 \text{ lb} + 1,110 \text{ lb})} = 7.0"$$

**Note:** If an added component's CG was below the frame rail datum line, then its weight-times-CG-distance result would be subtracted from the weight-times-distance-result of components with CGs above the frame rail datum line.

Fifth, compare the value of Y with Ymax. For the additional components to be installed without affecting FMVSS/CMVSR† 105 compliance, the value of Y must not exceed Ymax. In the above example, Y(7.0") is less than Ymax (93.2"). Therefore, the winch and body combination can be added.

Sample vehicle for CG calculation examples



## INCOMPLETE VEHICLE AND HEAVY-DUTY ENGINE INFORMATION

### INCOMPLETE VEHICLES

#### FEDERAL, CANADA AND CALIFORNIA (AND STATES ADOPTING CALIFORNIA EMISSION REGULATIONS)

#### EXHAUST EMISSION CERTIFICATION PARAMETERS – INCOMPLETE VEHICLE – BOX OFF PACKAGES

The gasoline and diesel powered trucks listed below will conform with all Federal, Canadian or the State of California (including Connecticut, Maine, Massachusetts, New York, Oregon, Rhode Island, and Vermont) exhaust emission regulations applicable to the 2015 model year new heavy-duty vehicles and medium duty vehicles, if the following conditions are not exceeded in completion of the vehicle.

| MODELS Incomplete Vehicles - Box Off Pkgs. | Body Model | Engine Displacement | Sales Area                     | GVWR | Max Completed Truck Curb Weight | Max Completed Truck Curb Frontal Area |
|--|------------|---------------------|--------------------------------|------|---------------------------------|---------------------------------------|
| Cab Chassis / Cutaway                      | VF         | 3.6 L Gasoline      | Federal, Canada and California | *    | *                               | *                                     |
| Cab Chassis / Cutaway                      | VF         | 3.0 L Diesel        | Federal, Canada and California | *    | *                               | *                                     |

\*See under hood **Vehicle Emission Control Information** label.

## **FOR GASOLINE FUELED INCOMPLETE VEHICLES**

### **FUEL VAPOR RECOVERY (GASOLINE FUELED VEHICLES) – CALIFORNIA, CONNECTICUT, MAINE, MASSACHUSETTS, NEW YORK, OREGON, RHODE ISLAND AND VERMONT**

The following information applies to gasoline fueled vehicles for sale or use in the states of California, Connecticut, Maine, Massachusetts, New York, Oregon, Rhode Island, and Vermont. California regulations require that the vehicle fuel systems be designed to accommodate a vapor recovery fueling nozzle including unobstructed access to the fill pipe. Fuel filler pipes installed according to the instructions provided in the fuel filler kit will comply with the "Specifications for Fill Pipes and Openings of Motor Vehicle Fuel Tanks," referenced in Title 13 California Administrative Code providing no part of the second body, as installed, intrudes into the nozzle access zone.

### **ADDITIONAL MODIFICATION INFORMATION FOR FEDERAL, CANADA AND CALIFORNIA, CONNECTICUT, MAINE, MASSACHUSETTS, NEW YORK, OREGON, RHODE ISLAND AND VERMONT**

The term "second bodies" includes not only the basic body or body structure but also any equipment permanently attached to the vehicle installed by the vehicle alterer.

- None of the following fuel system components as installed by Chrysler Group LLC are to be removed, replaced, relocated, altered or modified in any way:
  - Fuel tank and attachment hardware, including sending unit and vapor valve
  - Fuel lines, routing and attachments, excluding fuel filler cap, filler pipe, filler hose and filler system attachment hardware
  - Vapor line and carbon canister (Gasoline only)
  - Fuel pump
  - Leak detection system (Gasoline only)
  - Fuel filter and attachment
  - Throttle body
  - Air cleaner assembly
- No additional fuel tanks may be added.
- Any alteration or modification made to the vehicle as manufactured by Chrysler Group LLC, and components or structure installed by the vehicle alterer must not result in penetration, separation or other damage to the fuel system or any portion thereof when the vehicle is tested in any manner specified by applicable provisions of FMVSS/CMVSR 301.
- The second body installed and the required fuel system components (identified below) must be located and mounted as follows:
  - Second body components must not contact any fuel system component (other than at the points where the fuel system is permanently attached to the second body)
  - Second body deformation or movement relative to the frame must not cause any fuel system component to be penetrated, disconnected or otherwise damaged
  - The rear end of the second body (excluding the rear bumper) installed must not extend beyond (overhang) the rear edge of the vehicle frame or frame extension. Any extension of the vehicle frame must be constructed and attached so as to perform as a continuation of the vehicle frame when the altered vehicle is tested in any manner specified by applicable provisions of FMVSS/CMVSR 301
  - The fuel filler cap, filler pipe, filler hose and filler system attachment hardware must be installed according to the instructions provided in fuel filler kit and must be securely retained to remain intact when the vehicle is tested in any manner specified by applicable provisions of FMVSS/CMVSR 301

This page intentionally left blank

