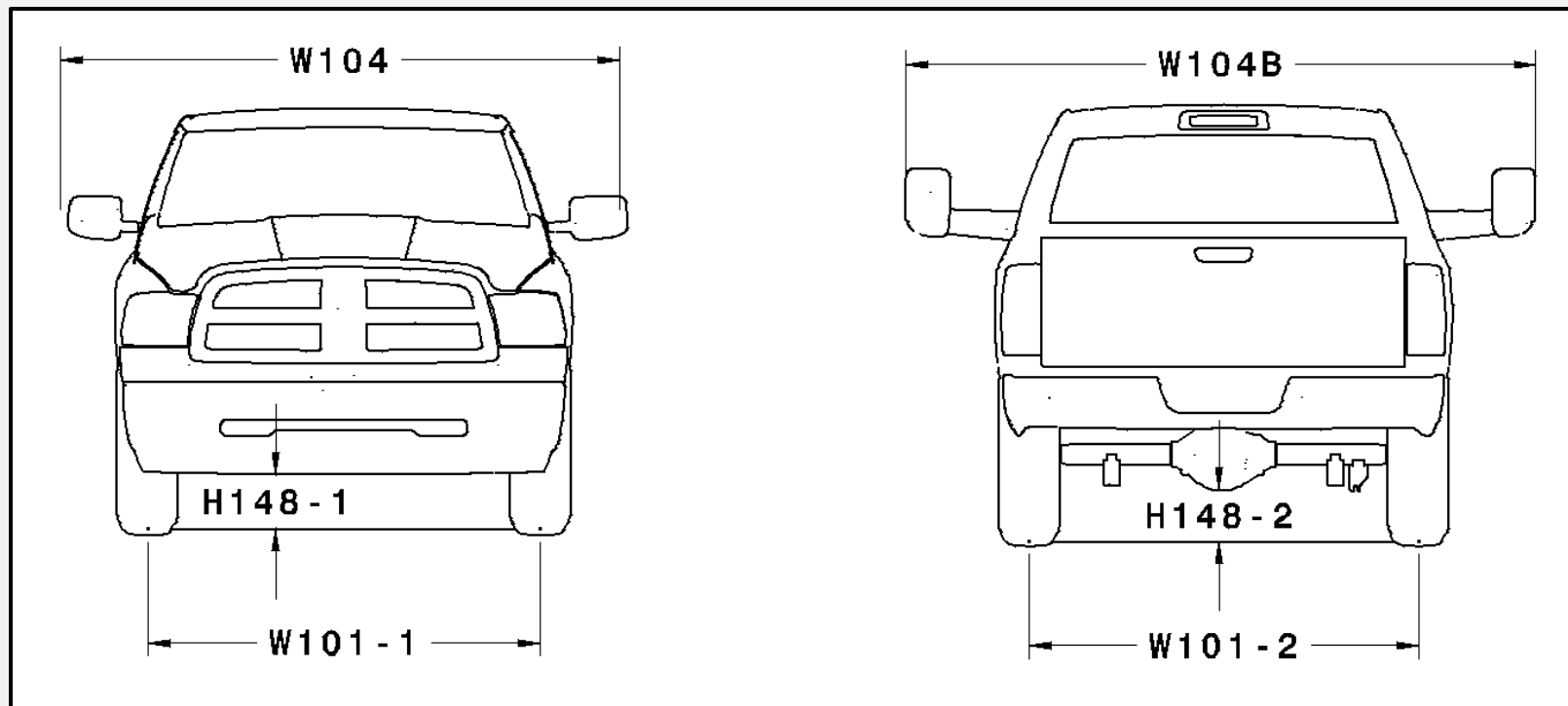
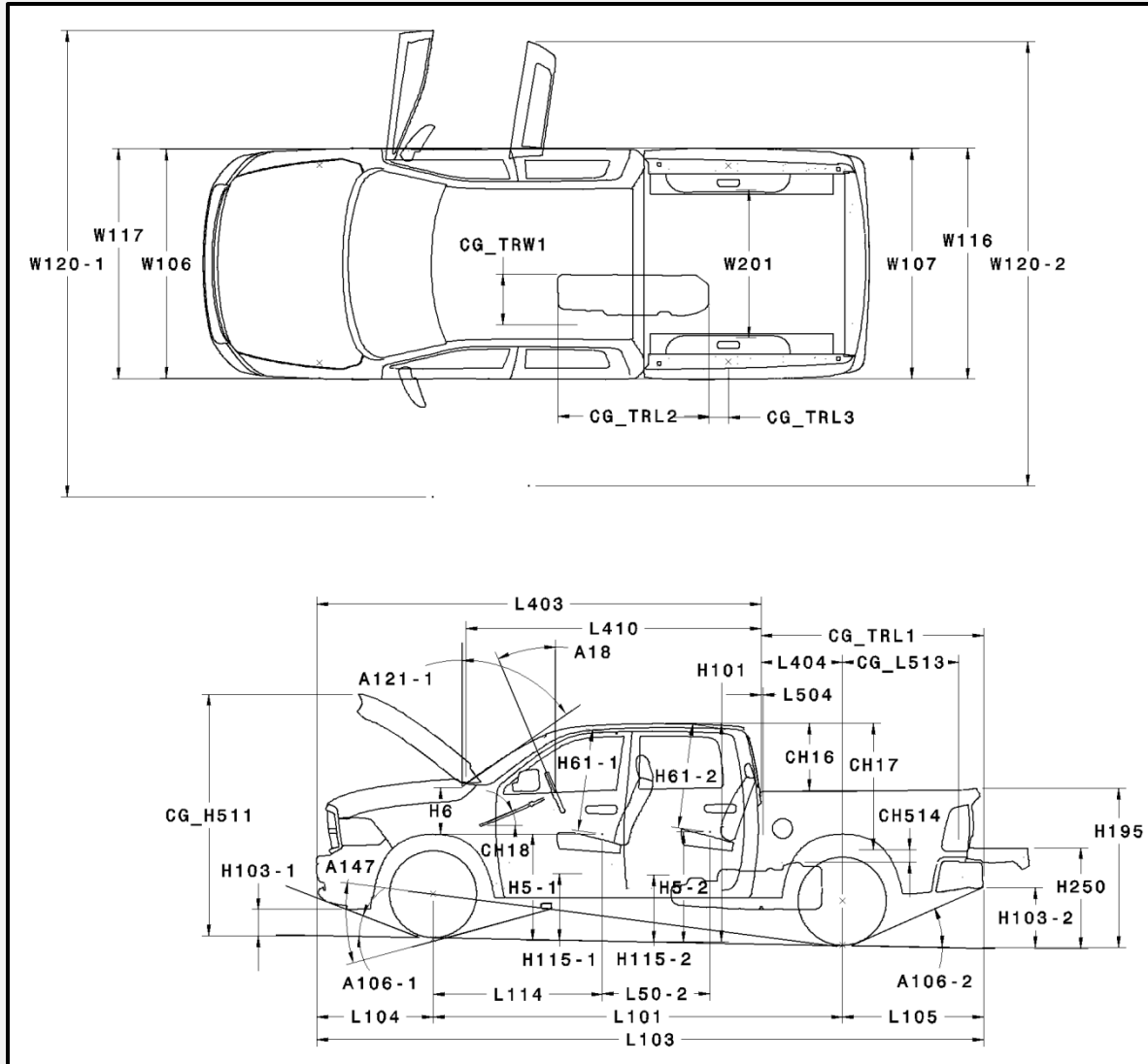


CREW CAB 1500 149.5"WB 4x4 AIR SUSPENSION NON-OUTDOORSMAN



CREW CAB 1500 149.5"WB 4x4 AIR SUSPENSION NON-OUTDOORSMAN



CREW CAB 1500 149.5"WB 4x4 AIR SUSPENSION NON-OUTDOORSMAN

Code	RAM CREW CAB 6.5 BOX 149.5WB	Metric	English
CG_TRL1	Rear Bumper to Back of Cab	2166.6 mm	85.3 in
CG_TRL2	Fuel Tank Length	1317.5 mm	51.9 in
L50-2	SgRP Couple Distance, Front to Second	939.8 mm	37.0 in
L103	Vehicle Length	6042.6 mm	237.9 in
L403	Front Bumper to Back of Cab (BBC)	3876.0 mm	152.6 in
L410	Cab Length	2573.6 mm	101.3 in
L504	Cab to Pickup Body	16.0 mm	0.6 in
Code	RAM CREW CAB 6.5 BOX 149.5WB	Metric	English
A121-1	Window Slope Angle-Windshield	55.1 deg	55.1 deg
CG_A18	Steering Wheel Angle	23.4 deg	23.4 deg
CH16	Top of Box to Cab Roof	585.5 mm	23.1 in
CH17	Box Floor to Cab Roof	1105.8 mm	43.5 in
CH18	Steering Column Angle	22.9 deg	22.9 deg
CH514	Box Floor to Top of Fuel Tank	108.5 mm	4.3 in
H6	SgRP - Front to Windshield Lower DLO	405.8 mm	16.0 in
H61-1	Effective Head Room - Front	1041.4 mm	41.0 in
H61-2	Effective Head Room - Second	1012.8 mm	39.9 in
Code	RAM CREW CAB 6.5 BOX 149.5WB	Metric	English
CG_TRW1	Outside Rail to Fuel Tank(inside)	442.4 mm	17.4 in
W104	Vehicle Width-Mirrors(std)	2464.4 mm	97.0 in
W104B	Vehicle Width-Mirrors(trailer)	2776.1 mm	109.3 in
W106	Fender Width - Front	2003.7 mm	78.9 in
W107	Fender Width - Rear	2014.4 mm	79.3 in
W116	Body Width-maximum	2017.4 mm	79.4 in
W117	Body Width At SgRP - Front	2008.7 mm	79.1 in
W120-1	Vehicle Width, Doors Open - Front	4076.6 mm	160.5 in
W120-2	Vehicle Width, Doors Open - Rear Row	3883.7 mm	152.9 in
W201	Cargo Width-Wheelhouse	1295.4 mm	51.0 in

CREW CAB 1500 149.5"WB 4x4 AIR SUSPENSION NON-OUTDOORSMAN

4x4 265/70R17									
Code	Description	Entry / Exit		Normal Ride Height		Off - Road 1		Off - Road 2	
		Metric	English	Metric	English	Metric	English	Metric	English
A106-1	Angle of Approach	13.8 deg	13.8 deg	18.3 deg	18.3 deg	20.9 deg	20.9 deg	22.5 deg	22.5 deg
A106-2	Angle of Departure	22.8 deg	22.8 deg	24.6 deg	24.6 deg	25.5 deg	25.5 deg	26.9 deg	26.9 deg
A147	Ramp Breakover Angle	15.3 deg	15.3 deg	18.7 deg	18.7 deg	20.5 deg	20.5 deg	22.2 deg	22.2 deg
CG_H511	Bottom of Open Hood to Ground	2068.0 mm	81.4 in	2122.6 mm	83.6 in	2154.0 mm	84.8 in	2173.6 mm	85.6 in
CG_L513	Rear Axle to Inside Box at Rear	1011.5 mm	39.8 in	1011.5 mm	39.8 in	1011.5 mm	39.8 in	1011.5 mm	39.8 in
CG_TRL3	Rear Wheel Center line to Fuel Tank	172.9 mm	6.8 in	172.9 mm	6.8 in	172.9 mm	6.8 in	172.9 mm	6.8 in
CG_TT18	Turn Circle Diameter (feet/meters)*	14.7 m	48.3 ft	14.7 m	48.3 ft	14.7 m	48.3 ft	14.7 m	48.3 ft
H5-1	SgRP to Ground - Front	884.2 mm	34.8 in	933.3 mm	36.7 in	960.1 mm	37.8 in	984.3 mm	38.8 in
H5-2	SgRP to Ground - Second	917.9 mm	36.1 in	964.5 mm	38.0 in	989.4 mm	39.0 in	1015.5 mm	40.0 in
H101	Vehicle Height(curbLoad)	1897.7 mm	74.7 in	1950.7 mm	76.8 in	1975.2 mm	77.8 in	2001.7 mm	78.8 in
H103-1	Fascia(Bumper) to Ground - Front	170.5 mm	6.7 in	225.4 mm	8.9 in	257.0 mm	10.1 in	276.4 mm	10.9 in
H103-2	Fascia(Bumper) to Ground - Rear	417.9 mm	16.4 in	470.9 mm	18.5 in	491.2 mm	19.3 in	521.9 mm	20.5 in
H108-1	Static Load Radius - Front Tire *	377.2 mm	14.9 in	377.2 mm	14.9 in	377.2 mm	14.9 in	377.2 mm	14.9 in
H108-2	Static Load Radius - Rear Tire *	383.3 mm	15.1 in	383.3 mm	15.1 in	383.3 mm	15.1 in	383.3 mm	15.1 in
H115-1	Step Height - Front	533.1 mm	21.0 in	582.6 mm	22.9 in	609.8 mm	24.0 in	633.6 mm	24.9 in
H115-2	Step Height - Second	538.8 mm	21.2 in	586.3 mm	23.1 in	611.9 mm	24.1 in	637.3 mm	25.1 in
H148-1	Suspension or Axel to Ground - Front	231.6 mm	9.1 in	231.6 mm	9.1 in	231.6 mm	9.1 in	231.6 mm	9.1 in
H148-2	Suspension or Axel to Ground - Rear	217.7 mm	8.6 in	217.7 mm	8.6 in	217.7 mm	8.6 in	217.7 mm	8.6 in
H195	Liftover Height	1341.0 mm	52.8 in	1380.9 mm	54.4 in	1400.5 mm	55.1 in	1431.9 mm	56.4 in
H250	Open Tailgate to Ground	827.9 mm	32.6 in	866.6 mm	34.1 in	885.2 mm	34.9 in	917.6 mm	36.1 in
L101	Wheelbase	3798.0 mm	149.5 in	3798.0 mm	149.5 in	3798.0 mm	149.5 in	3798.0 mm	149.5 in
L104	Overhang - Front	1016.8 mm	40.0 in	1016.8 mm	40.0 in	1016.8 mm	40.0 in	1016.8 mm	40.0 in
L105	Overhang - Rear	1227.7 mm	48.3 in	1227.7 mm	48.3 in	1227.7 mm	48.3 in	1227.7 mm	48.3 in
L114	Front Wheel Centerline toSgRP - Front	1475.0 mm	58.1 in	1475.0 mm	58.1 in	1475.0 mm	58.1 in	1475.0 mm	58.1 in
L404	Cab to Rear Axle (CA)	938.8 mm	37.0 in	938.8 mm	37.0 in	938.8 mm	37.0 in	938.8 mm	37.0 in
W101-1	Tread Width - Front Tires	1732.3 mm	68.2 in	1732.3 mm	68.2 in	1732.3 mm	68.2 in	1732.3 mm	68.2 in
W101-2	Tread Width - Rear Tires	1714.7 mm	67.5 in	1714.7 mm	67.5 in	1714.7 mm	67.5 in	1714.7 mm	67.5 in

4x4 275/60R20									
Code	Description	Entry / Exit		Normal Ride Height		Off - Road 1		Off Road 2	
		Metric	English	Metric	English	Metric	English	Metric	English
A106-1	Angle of Approach	15.2 deg	15.2 deg	19.7 deg	19.7 deg	22.3 deg	22.3 deg	23.9 deg	23.9 deg
A106-2	Angle of Departure	23.7 deg	23.7 deg	25.5 deg	25.5 deg	26.4 deg	26.4 deg	27.8 deg	27.8 deg
A147	Ramp Breakover Angle	16.4 deg	16.4 deg	19.8 deg	19.8 deg	21.7 deg	21.7 deg	23.3 deg	23.3 deg
CG_H511	Bottom of Open Hood to Ground	2084.1 mm	82.1 in	2138.8 mm	84.2 in	2170.2 mm	85.4 in	2189.8 mm	86.2 in
CG_L513	Rear Axle to Inside Box at Rear	1011.5 mm	39.8 in	1011.5 mm	39.8 in	1011.5 mm	39.8 in	1011.5 mm	39.8 in
CG_TRL3	Rear Wheel Center line to Fuel Tank	172.9 mm	6.8 in	172.9 mm	6.8 in	172.9 mm	6.8 in	172.9 mm	6.8 in
CG_TT18	Turn Circle Diameter (feet/meters)*	14.7 m	48.4 ft	14.7 m	48.4 ft	14.7 m	48.4 ft	14.7 m	48.4 ft
H5-1	SgRP to Ground - Front	900.7 mm	35.5 in	949.8 mm	37.4 in	976.7 mm	38.5 in	1000.8 mm	39.4 in
H5-2	SgRP to Ground - Second	934.6 mm	36.8 in	981.3 mm	38.6 in	1006.2 mm	39.6 in	1032.3 mm	40.6 in
H101	Vehicle Height(curbLoad)	1914.5 mm	75.4 in	1967.5 mm	77.5 in	1991.9 mm	78.4 in	2018.5 mm	79.5 in
H103-1	Fascia(Bumper) to Ground - Front	186.7 mm	7.3 in	241.6 mm	9.5 in	273.1 mm	10.8 in	292.6 mm	11.5 in
H103-2	Fascia(Bumper) to Ground - Rear	435.1 mm	17.1 in	488.1 mm	19.2 in	508.4 mm	20.0 in	539.1 mm	21.2 in
H108-1	Static Load Radius - Front Tire *	393.4 mm	15.5 in	393.4 mm	15.5 in	393.4 mm	15.5 in	393.4 mm	15.5 in
H108-2	Static Load Radius - Rear Tire *	398.3 mm	15.7 in	398.3 mm	15.7 in	398.3 mm	15.7 in	398.3 mm	15.7 in
H115-1	Step Height - Front	549.6 mm	21.6 in	599.1 mm	23.6 in	626.4 mm	24.7 in	650.1 mm	25.6 in
H115-2	Step Height - Second	555.5 mm	21.9 in	603.0 mm	23.7 in	628.6 mm	24.7 in	654.0 mm	25.7 in
H148-1	Suspension or Axel to Ground - Front	247.9 mm	9.8 in	247.9 mm	9.8 in	247.9 mm	9.8 in	247.9 mm	9.8 in
H148-2	Suspension or Axel to Ground - Rear	234.7 mm	9.2 in	234.7 mm	9.2 in	234.7 mm	9.2 in	234.7 mm	9.2 in
H195	Liftover Height	1358.2 mm	53.5 in	1398.1 mm	55.0 in	1417.7 mm	55.8 in	1449.1 mm	57.1 in
H250	Open Tailgate to Ground	845.2 mm	33.3 in	883.9 mm	34.8 in	902.5 mm	35.5 in	934.9 mm	36.8 in
L101	Wheelbase	3798.0 mm	149.5 in	3798.0 mm	149.5 in	3798.0 mm	149.5 in	3798.0 mm	149.5 in
L104	Overhang - Front	1016.8 mm	40.0 in	1016.8 mm	40.0 in	1016.8 mm	40.0 in	1016.8 mm	40.0 in
L105	Overhang - Rear	1227.7 mm	48.3 in	1227.7 mm	48.3 in	1227.7 mm	48.3 in	1227.7 mm	48.3 in
L114	Front Wheel Centerline toSgRP - Front	1475.0 mm	58.1 in	1475.0 mm	58.1 in	1475.0 mm	58.1 in	1475.0 mm	58.1 in
L404	Cab to Rear Axle (CA)	938.8 mm	37.0 in	938.8 mm	37.0 in	938.8 mm	37.0 in	938.8 mm	37.0 in
W101-1	Tread Width - Front Tires	1743.2 mm	68.6 in	1743.2 mm	68.6 in	1743.2 mm	68.6 in	1743.2 mm	68.6 in
W101-2	Tread Width - Rear Tires	1727.4 mm	68.0 in	1727.4 mm	68.0 in	1727.4 mm	68.0 in	1727.4 mm	68.0 in