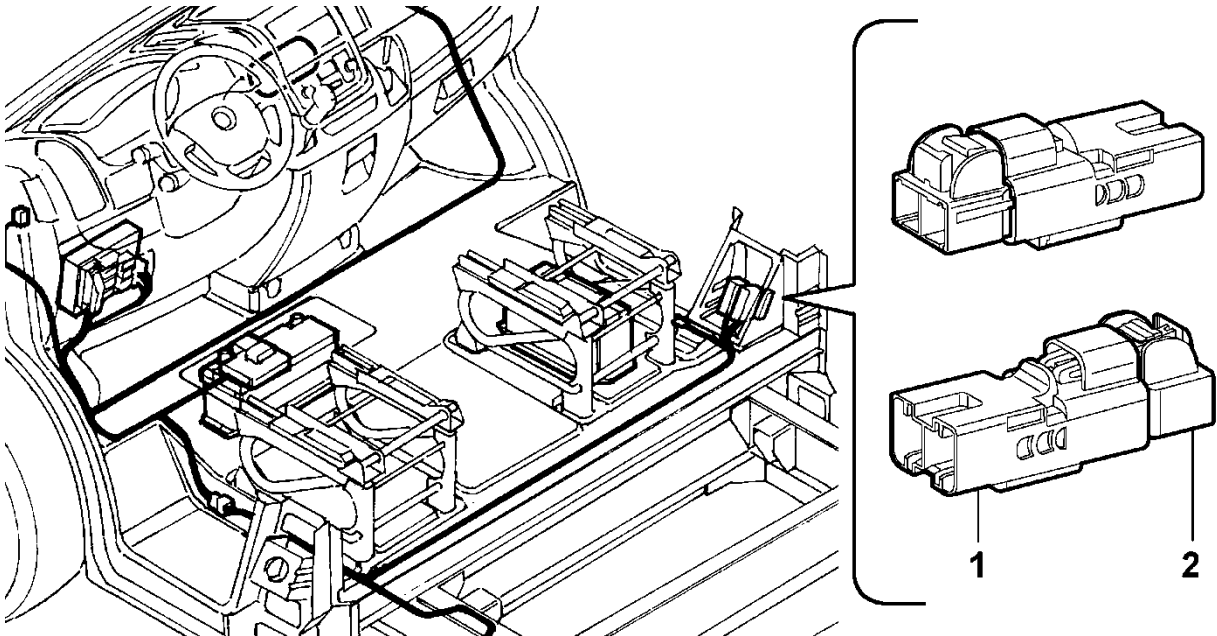


2014 UPFITTERS POWER CONNECTION

This only applies to vehicles with option code BC3

3D view of connector



Description of connector functions

Pin	Function/Connector Part number	Minimum cable section [mm ²]	cable colour	Notes
	Connector, 2-way MTA p/n 45.40300 Counterpart: MTA p/n 45.40400			
1	+30 power supply	10	R	Fuse nominal current 50A
2	Power ground	10	N	Max. constant current 53A

Power ground (pin 2)

Used in alternative to ground points A, B and C on chassis



Protect added cables in specific sheathing or corrugated conduits.
Minimum cable section must always be as specified in the description tables.